

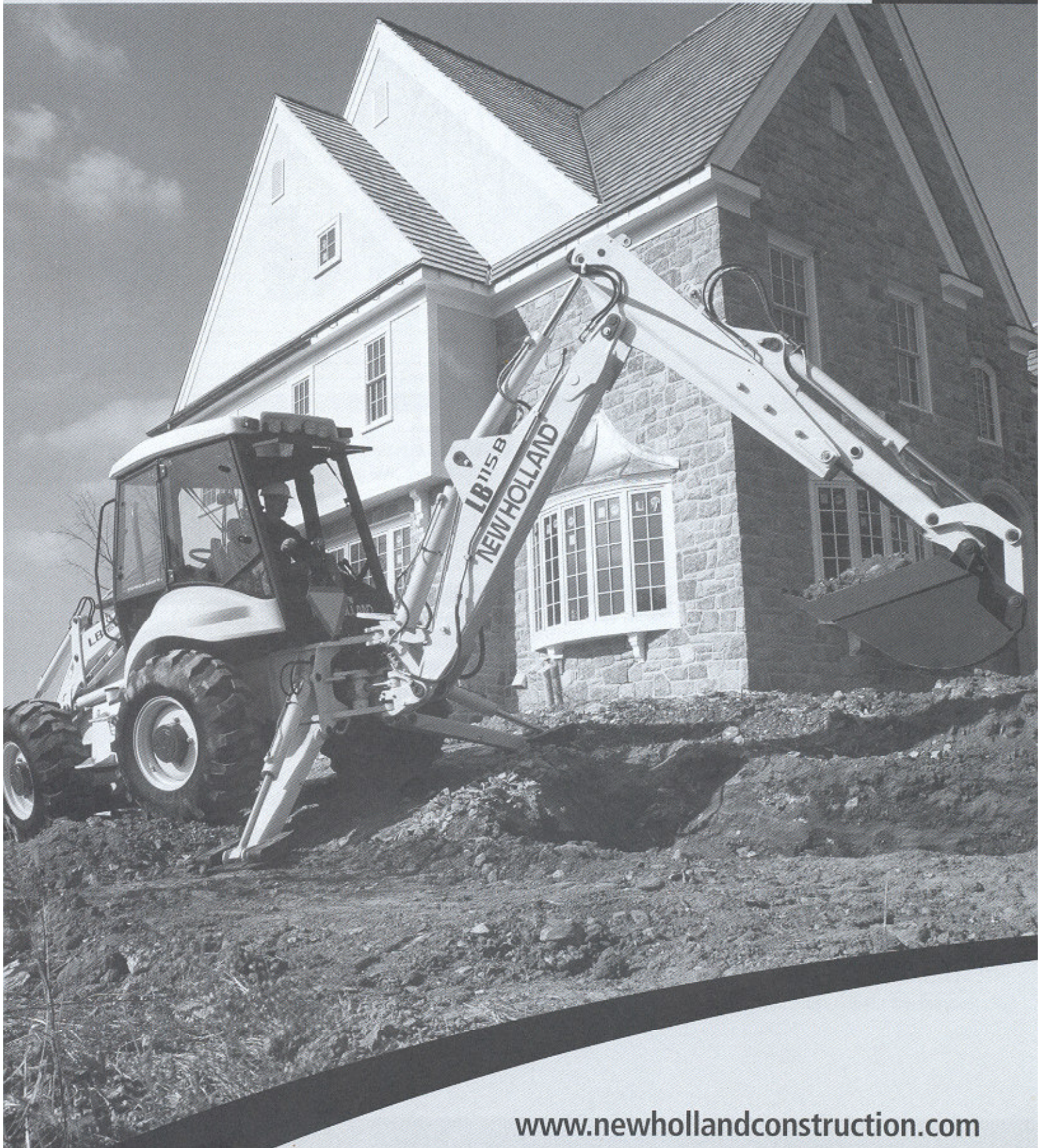


**NEW HOLLAND
CONSTRUCTION**

LOADER BACKHOES

LB115.B

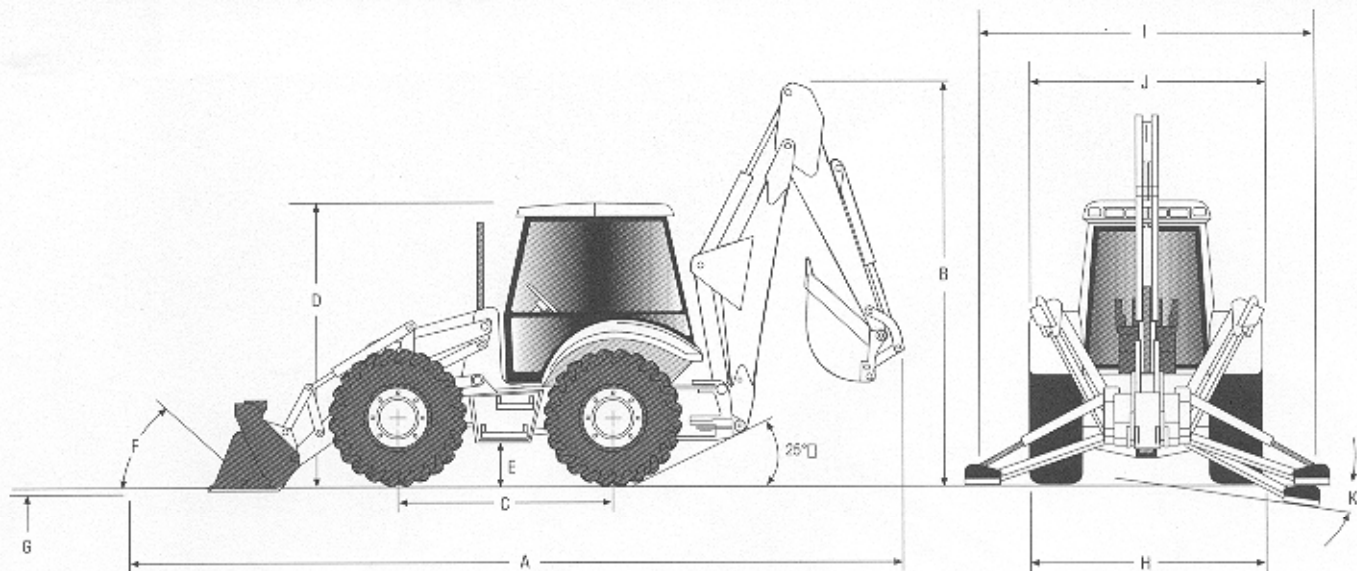
Specifications



www.newhollandconstruction.com

LB115.B Specifications

LB115.B DIMENSIONS*



A Transport length, ft/in (mm)	23' 7" (7,120)	F Bucket Rollback	
B Transport height, ft/in (mm)	13' 0" (3,935)	At ground level	45°
C Wheelbase, ft/in (mm)		Raised	37°
4WD	86.6" (2,200)	G Digging depth below grade, in (mm)	7" (154)
D Height to top of cab, ft/in (mm)	9' 4" (2,900)	H Transport width, ft/in (mm)	7' 11" (2,400)
E Ground Clearance, in (mm)	2' 2" (450)	I Stabilizer spread, operating, ft/in (mm)	10' 7" (3,230)
		J Stabilizer spread, transport, ft/in (mm)	7' 5" (2,230)
		K Stabilizer spread, leveling angle	14°

WEIGHT

Base Unit	16,755 lbs (7,600)
With options added	
4x1 Loader Bucket	+736 lbs
6x1 Loader Bucket	+1,133 lbs
HED Front Counterweight	+200 lbs

TRANSMISSION

Manufacturer	Clark-Hurth
Transmission type	Powershift
Power shuttle standard	Yes
Gear	4F/2R
Max travel speed, FWD, mph (kph)	24.4 (39.2)
Max reverse speed, FWD, mph (kph)	8.2 (13.2)
Front tire size, 4WD	16.9-24
Rear tires size, 4WD	16.9-24

ENGINE

Make and model	New Holland 445 T/M2
Type	Tier II emissionized, direct injection, 4-cycle diesel
Aspiration	Turbocharged after cooled
Governed RPM	2200 RPM
Number of cylinders	4
Displacement, cu in (L)	273 (4.5)
Horsepower, gross, hp (kW)	110 (82)
Peak torque, lb-ft (N-m) @ RPM	354 (480) @ 1400

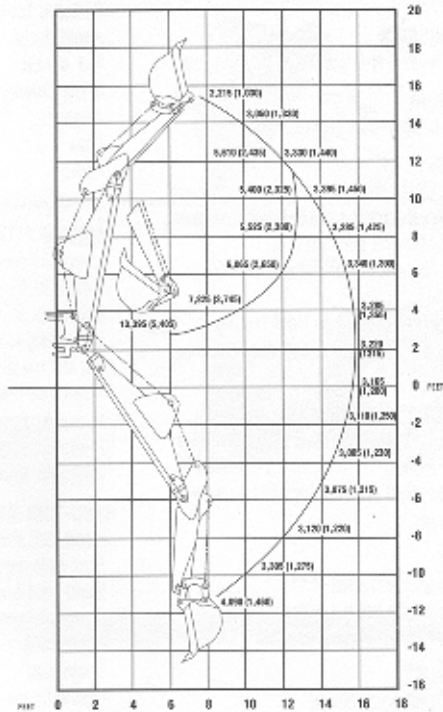
MANEUVERABILITY

4WD curb clearance (2ws)	24' 10" (7,585)
4WD curb clearance (4ws)	14' 3" (4,340)
4WD bucket clearance (2ws)	28' 3" (8,615)
4WD bucket clearance (4ws)	17' 1" (5,210)

*Equipped with 1.5yd³ (1.13m³), loader bucket, 24" std. backhoe bucket, and 16.9-24 front and rear tires.

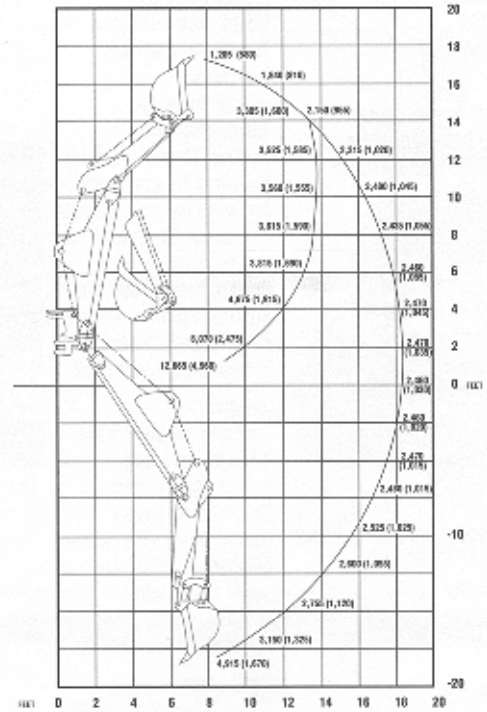
BACKHOE DIMENSIONS

HED BACKHOE RETRACTED (4WD)
with 24", 412 lb bucket



SAE 3.054 psi
P-210 Bar
Front Counterweight
All Tires: 16.9L-24 (Ind. Tract. Lug R4) TITAN

HED BACKHOE EXTENDED (4WD)
with 24", 412 lb bucket



SAE 3.054 psi
P-210 Bar
Front Counterweight
All Tires: 16.9L-24 (Ind. Tract. Lug R4) TITAN

BACKHOE DIMENSIONS

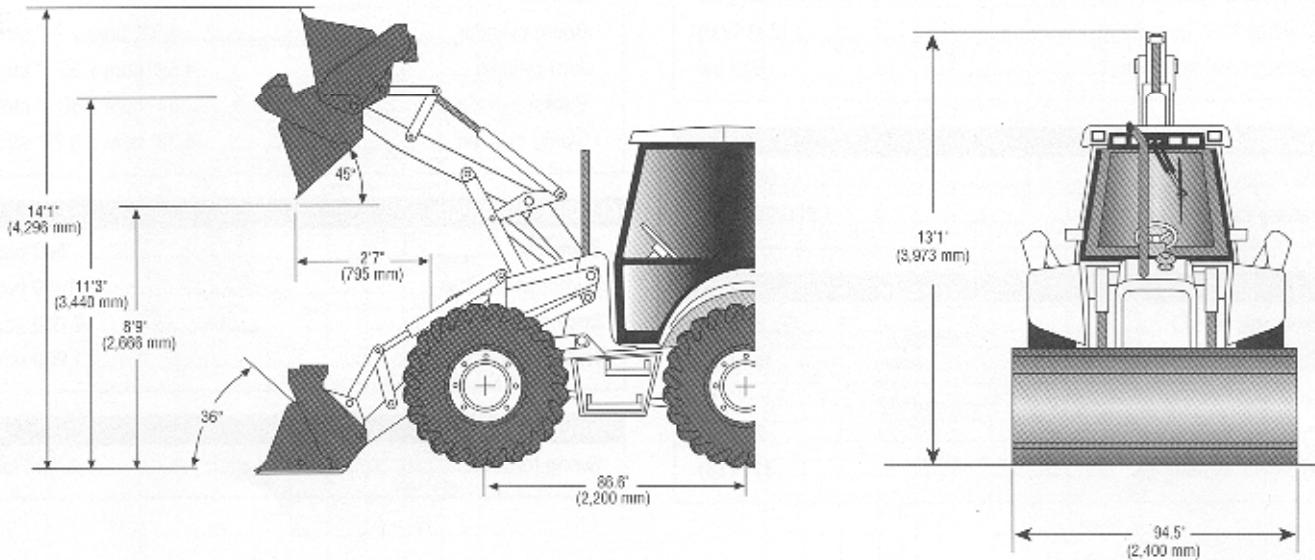
	Retracted	Extended
Dig depth, 2' flat bottom, ft/in (mm)	15' 1" (4,605)	19' 0" (5,790)
Dig depth, 8' flat bottom, ft/in (mm)	14' 0" (4,267)	18' 1" (5,510)
Loading height, ft/in (mm)	12' 6" (3,805)	14' 8" (4,470)
Loading reach, ft/in (mm)	6' 8" (2,035)	9' 11" (3,020)
Max operating height, ft/in (mm)	18' 7" (5,657)	21' 4" (6,320)
Reach from swing post, ft/in (mm)	19' 2" (5,841)	22' 9" (6,930)
Reach from rear axle, ft/in (mm)	22' 10" (6,963)	26' 5" (8,050)
Stabilizers		
Width, transport, ft/in (mm)	7' 5" (2,230)	7' 5" (2,230)
Width, working (SAE), ft/in (mm)	10' 7" (3,230)	10' 7" (3,230)
Swing arc	180°	180°

BACKHOE PERFORMANCE

	Retracted	Extended
Max dig depth, ft/in (mm)	15' 3" (4,636)	19' 1" (5,810)
Bucket capacity, cu ft (m3) (std. 24")	7.5 (.21)	7.5 (.21)
Bucket digging force, lbs (kg)	12,808 (5,810)	12,808 (5,810)
Crowd digging force, lbs (kg)	8,121 (3,684)	5,771 (2,618)
Boom lift @ -8 ft, lbs (kg)	3,120 (1,415)	2,525 (1,145)
Dipper lift @ +10 ft, lbs (kg)	5,400 (2,449)	3,560 (1,615)
Bucket rotation (max)	204°	204°

LB115.B Specifications

LOADER DIMENSIONS*



LOADER DIMENSIONS

	Heavy-Duty General Purpose	Multi-Purpose (4x1)	Multi-Purpose (6x1)
Height to hinge pin, ft/in (mm)	11' 3" (3,440)	11' 3" (3,440)	11' 3" (3,440)
Max dump angle	45°	45°	45°
Max grading angle	126°	126°	126°
Reach @ 45 degree dump angle	2' 7" (795)	2' 7" (795)	2' 7" (795)
Max operating height	14' 1" (4,296)	14' 6" (4,409)	14' 6" (4,409)
Dump height	8' 9" (2,666)	8' 9" (2,666)	8' 9" (2,666)

LOADER PERFORMANCE

	Heavy-Duty General Purpose	Multi-Purpose (4x1)	Multi-Purpose (6x1)
Max bucket heaped capacity, cu yd (m3)	1.5 (1.15)	1.5 (1.15)	1.5 (1.15)
Bucket breakout force, lbs (kg)	12,165 (5,518)	12,165 (5,518)	12,165 (5,518)
Lift capacity to full height, lbs (kg)	7,464 (3,386)	6,892 (3,126)	6,488 (2,943)
SAE heaped capacity, cu yd (m3)	1.5 (1.13)	1.5 (1.13)	1.5 (1.13)
SAE struck capacity, cu yd (m3)	1.18 (.90)	1.18 (.90)	1.18 (.90)
Bucket weight, lbs (kg)	939 (426)	1,675 (760)	2,072 (940)
Cutting width, in (mm)	94 (2,400)	94 (2,400)	94 (2,400)
Cycle			
Raise to full height	4.7 sec	4.7 sec	4.7 sec
Dump time	1.5 sec	1.5 sec	1.5 sec
Lower		2.4 sec	2.4 sec

*Equipped with 1.5yd³ (1.13m³), loader bucket, 24' std. backhoe bucket, and 16.9-24 front and rear tires.

LB115.B Standards & Options

STANDARD EQUIPMENT

ENGINE

New Holland 4.5 liter (273 cu. in.) turbocharged aftercooled 445TA/M2
Dry dual-element air cleaner
Two-stage fuel filtering
Centrifugal dust bowl pre-cleaner

TRANSMISSION

Powershift, 4 forward/2 reverse speeds, with power-reversing torque converter
Two position electric disconnect on loader control and gearshift

REAR AXLE/BRAKES

Planetary final drives
Limited slip rear axle
Electric differential lock on powershift
Multi-plate, hydraulic, self-adjusting, self-equalizing wet disc brakes
Independent parking/emergency brake

FRONT AXLE

73" tread width
83" tread width
6-bolt wheel hubs
Hydrostatic power steering with priority valve
Integrated steering cylinder
FWD axle: cast iron
FWD electrical engagement with indicator light

ELECTRICAL

12-volt system
90-amp high-capacity alternator
Dual batteries with 1,200 CCA

LIGHTING

4 front/4 rear halogen worklights
2 rear reflectors
2 rear tail and turn indicators

BACKHOE

Mechanical hydraulic transport lock
Flipover dirt/street stabilizer pads
EasyTouch 2-lever controls (SAE pattern)
Stabilizer lock valves
HED extendible dipperstick

OPERATOR'S STATION (CAB)

CFC-free R134a air conditioning system
Dual side entry flat deck
Interior rearview mirror
Built-in beverage holder
Coat hook
Pre-wired for radio

Key start switch with electric shut-off
Headliner
2-position horn control
Molded floor mat
Electric instrumentation
Tachometer/hourmeter
Fuel gauge
Interior dome light
Tilt steering wheel
Auxiliary 12-volt output/cigarette lighter
Pre-wired for emergency beacon
Pre-wired for road headlights
Adjustable side window openings
One-piece rear window
3-speed heater/blower fan
Adjustable front sun-screen shade
Cloth suspension seat
3-inch retractable seatbelt

LOADER

Bent arm, parallel linkage
4-Bar bucket linkage
Bucket level indicator
Return-to-dig feature
Dual lift and bucket cylinders
Mechanical self-leveling
Single lever control
Loader arm support
1.5 yd³ heavy duty bucket

HYDRAULICS

O-ring Face seal connectors
"PD" type diagnostic port connectors
Open center coaxial drive hydraulic pump
10 micron spin-on filter element

TOTAL VEHICLE

Front counterweight
Rear fenders
Lockable integrated toolbox
One-piece, unitized mainframe
SMV emblem
Front and rear tiedown points
Audible backup alarm

VANDALISM/SECURITY

Lockable control panel cover on ROPS
Engine electrical disconnect switch
Key-lockable engine side panels
Key-lockable fuel cap
Tamper-proof hydraulic reservoir cap

TIRES

16.9 x 24" (4 at equal sizes)

OPTIONAL EQUIPMENT

ENGINE

Grid heater starting aid
*110-volt engine block heater (dealer installed)

TRANSMISSION

Single lever F-N-R control with safety detent

ELECTRICAL

Single battery with 900 CCA

BACKHOE

2-lever pilot controls with pattern changer
Mechanical backhoe bucket quick coupler
4-lever backhoe controls
2-lever ISO excavator pattern backhoe controls
Multiple bucket options from factory
Heavy-duty and extra heavy-duty backhoe buckets

OPERATOR'S STATION (CAB)

Electric ON/OFF control of hydraulic hand tool function
Foot-activated switch control of backhoe hammer

LOADER

Multi-purpose bucket (4X1)
Multi-purpose bucket w/forks (6X1)
Electro-hydraulic quick coupler

HYDRAULICS

Backhoe hammer circuit
Mid-mount hand tool circuit
Extra function backhoe valve with control pedal (less HED)
*Glide Ride control system

TOTAL VEHICLE

Fire extinguisher
Special order paint colors
*External rearview mirrors
Front fenders
*Operator cooling fan
*4wd driveshaft guard kit

VANDALISM/SECURITY

*Steering cylinder lock

LOADER ATTACHMENTS

Sweeper brooms
Angle dozer
4x1 bucket
Snow blower
Auger
Claw
Forks
Scrap Grapple

BACKHOE ATTACHMENTS

Hydraulic breaker
Ripper teeth
Cemetery bucket
V-ditching bucket
Backfill blade
Pavement-removal bucket
Hydraulic compactor
Hydraulic auger
Hydraulic thumb

HAND-TOOL ATTACHMENTS

Hand-tool attachments
Post-hole digger
Hand-held breaker
Chop saw
Cable cutter
Chain saw
Hydraulic trash pump
Hand-held compactor

TIRES

Please see your dealer to discuss the other tire options available.

*Dealer Installed Option

Design, materials and/or specifications are subject to change without notice and without liability therefor. Specifications are applicable to units sold in Canada, the United States, its territories and possessions, and may vary outside these areas.

Visit our website at www.newhollandconstruction.com

© 2003 New Holland North America, Inc.
New Holland Construction division



Safety begins with a thorough understanding of the equipment. Always make sure you and your operators read the Operator's Manual before using the equipment. Pay close attention to all safety and operating decals and never operate machinery without all shields, protective devices and structures in place.

Stock #NHC7100303-SS4 • 010420 • API • PRINTED IN U.S.A.

NEW HOLLAND CONSTRUCTION IS A BRAND OF CNH.
A GLOBAL LEADER IN AGRICULTURAL AND CONSTRUCTION EQUIPMENT AND FINANCIAL SERVICES.



**NEW HOLLAND
CONSTRUCTION**