



# JD350-C LOADER

## FEATURES

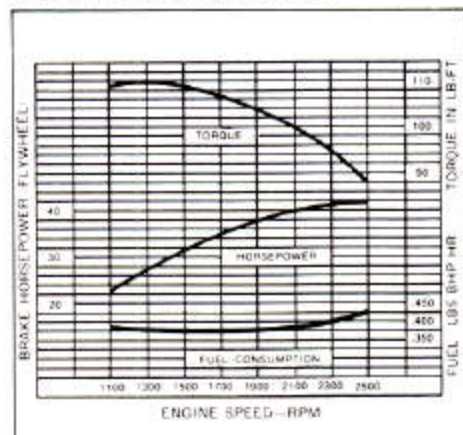
- 42 SAE net hp (31.3 kW)
- Single-lever loader control
- Hydraulic direction reverser
- Hydraulic track adjustment
- Walk-through compartment
- Self-adjusting, oil-cooled steering clutches and brakes
- Roll-over protective structure (ROPS)
- Vandal protection

## ADD VERSATILITY WITH:

- Ripper
- Backhoe
- Winch
- Integral log arch
- Basic lumber fork
- Log and pulpwood fork



## ENGINE PERFORMANCE

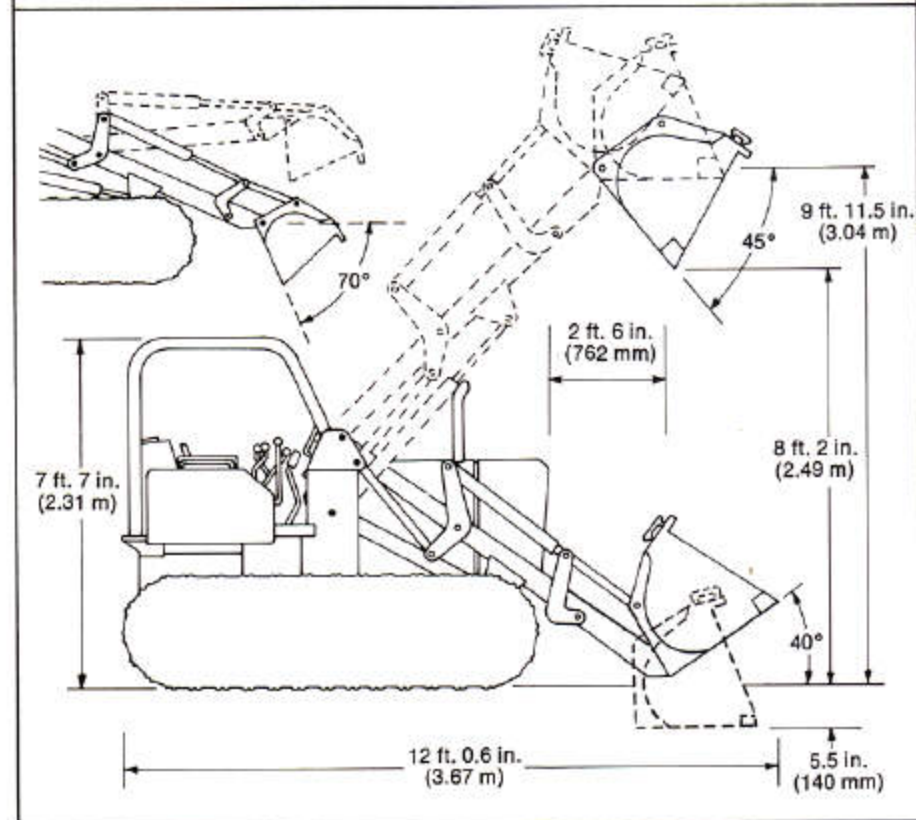


## LOADER SPECIFICATIONS

Buckets:	SAE Heaped Capacity	Width
Digging or Multipurpose	3/4 cu. yd. (0.57 m <sup>3</sup> )	66 in. (1.68 m)
Light Materials	1-1/4 cu. yd. (0.96 m <sup>3</sup> )	78 in. (1.98 m)

### Operating Information:

Breakout force	12,100 lb. (54.2 kN) (5488 kg)
SAE tipping load	7150 lb. (3423 kg)
Maximum dumping angle	50 deg.
Raising time	6.5 sec.
Dumping time	1.5 sec.
Lowering time	4.0 sec.



TED B. MILLER CO., INC.  
GERING, NEB.

# JD350-C LOADER SPECIFICATIONS

(Specifications and design subject to change without notice. Wherever applicable, specifications are in accordance with IEMC and SAE Standards. Except where otherwise noted, these specifications are based on a unit equipped with 3/4 cu. yd. (0.57 m<sup>3</sup>) digging bucket w/teeth, diesel engine, roll-over protective structure, and standard equipment.)

<b>Power (@ 2,500 engine rpm):</b>	<b>SAE</b>	<b>DIN</b>
Gross .....	46 hp (34.3 kW)	
Net .....	42 hp (31.3 kW)	43.3 PS

Net engine flywheel power is for an engine equipped with fan, air cleaner, water pump, lubricating oil pump, fuel pump, alternator, and muffler. Gross engine power is without fan. Flywheel power ratings are under SAE standard conditions of 500-ft altitude and 85° F. temperature and DIN 6270 standard conditions of 760 mm Hg barometer (sea level) and 20° C. temperature.

**Engine:** John Deere 3-cylinder diesel, valve-in-head, 4-stroke cycle

Bore and stroke .....	3.86×4.33 in. (98×110 mm)
Displacement .....	152 cu. in. (2.491 L)
Compression ratio .....	16.2 to 1
Maximum torque @ 1,300 rpm .....	110 lb-ft (149 Nm) (15.2 kg-m)
NACC or AMA (U.S. Tax) horsepower .....	17.88
Main bearings .....	4
Lubrication .....	Pressure system w/full-flow filter
Cooling .....	Pressurized w/thermostat and fixed bypass
Fan .....	Blower
Air cleaner w/restriction indicator .....	Dry
Electrical system .....	12-volt w/alternator
Battery .....	Reserve capacity: 180 minutes

**Transmission** ..... Selective sliding gear

**Hydraulic Direction Reverser** ..... Multiple-disk oil clutches

<b>Gear:</b>	<b>Travel Speeds:</b>	
<b>Rev. or Fwd.</b>	<b>mph</b>	<b>km/h</b>
1st	1.4	2.3
2nd	1.9	3.1
3rd	3.3	5.3
4th	6.5	10.4

### Steering:

Steering clutches and brakes are controlled by a single lever for each track. A pedal provides braking and lockdown for parking.

Clutches .... Oil-cooled, hydraulically-actuated, multiple disk; 9-in. (228 mm) disks, 16 friction surfaces per clutch.

Brakes ..... Self-adjusting, self-energizing, oil-cooled contracting band with bonded lining.

### Hydraulic System:

Pressure .....	2,250 psi (15 514 kPa) (158.2 kg/cm <sup>2</sup> )
Control .....	Single-lever, triple hydraulic system
Pump .....	Gear, 23 gpm (1.45 L/s) @ 2500 engine rpm
Oil lines .....	Seamless steel tubing, double-wire-braid hose
Filter .....	Micronic in return line

<b>Hydraulic Cylinders:</b>	<b>Bore</b>	<b>Stroke</b>
Boom, two .....	3.75-in. (95 mm)	27.8-in. (706 mm)
Bucket, two .....	2.75-in. (70 mm)	30.5-in. (775 mm)
Cylinder rods .....	Ground, heat-treated, chrome-plated, polished	
Boom cylinder rods .....	2-in. (51 mm) dia.	
Bucket cylinder rods .....	1.5-in. (38 mm) dia.	

### Tracks (5-roller track frames w/rock guards):

Triple semi-grouser, open-center shoes .....	12-in. (305 mm)
Track shoes, each side .....	36
Ground contact area .....	1,662 sq. in. (10 723 cm <sup>2</sup> )
Ground pressure .....	7.2 psi (49.6 kPa) (0.506 kg/cm <sup>2</sup> )
Length of track on ground .....	69.3 in. (1.76 m)
Track gauge .....	48-in. (1.22 m)
Carrier roller .....	1
Adjustment .....	Hydraulic
Clearance at rear crossbar .....	13.25 in. (337 mm)

<b>Capacities</b>	<b>U.S.</b>	<b>Imp.</b>	<b>Liters</b>
Cooling system .....	3.25 gal.	2.7 gal.	12.3
Fuel tank .....	22 gal.	18.3 gal.	83.0
Crankcase, including filter .....	9 qt.	7.5 qt.	8.5
Transmission—steering clutch housings and final drives .....	10 gal.	8.3 gal.	38.0
Direction reverser .....	12 qt.	10.0 qt.	11.3
▲ Loader hydraulic reservoir .....	6.4 gal.	5.3 gal.	24.5
Loader hydraulic system .....	12.5 gal.	10.4 gal.	47.3

### Additional Standard Equipment:

- Front and rear bottom guard
- Sprocket weights
- Bucket level indicator
- Bottom guard counterweight w/fixed drawbar
- Front hitch
- Deluxe cushion seat w/arm rests
- Key switch w/push-button safety start
- Precleaner
- Electric hourmeter
- Cigaret lighter
- Vandal protection
- Grease gun
- Engine side shields
- Lights
- Radiator sand shield
- Trash-resistant radiator
- Transistorized voltage regulator
- Inner sprocket shields
- Return to dig
- Tachometer
- Ether starting aid
- ROPS w/canopy and seat belt
- Horn
- Master electrical disconnect switch
- ▲ Boom safety lock bar

**SAE Operating Weight w/ROPS** ..... 12,400 lb. (5625 kg)

### Special Equipment:

2-piece steel bucket teeth for 3/4 cu. yd. (0.57 m<sup>3</sup>) digging bucket only

Two batteries

Rear counterweight for multipurpose bucket or log loader

Cab (includes ROPS)

Winch drive

▲ 10 in. (254 mm) rubber shoes