

**NEW**  
FROM  
**NISSAN**

**WILLER**  
SINCE 1924  
**W. B. Miller Co. Inc.**  
220810 Hwy. 92 East  
P.O. Box 460  
Gering, Nebr. 69341  
Phone #308-436-2177  
Fax #308-436-7645



# ENDURO SERIES

## 2000 to 3500lb. CUSHION FORKLIFTS

- This Series is equipped with Nissan's New H20-II gas engine. This low-rpm, high torque industrial engine offers high reliability and superb power.
- The engine features an automatic choke which works in conjunction with the outside ambient air, thus a precise mixture of air-fuel ratio is easily achieved for positive and reliable starting.
- The engine features a pneumatic governor with a hot water jacket installed around the valve which stabilizes governor performance, thus assisting with the excellent fuel economy this series achieves.
- The engine features a fully-transistorized distributor with built-in ignition coil for positive ignition operation.
- The improved loading and travel performance has been achieved by way of the New H20-II gas engine and the hydraulic pump delivery rate.
- Nissan masts offer superb rated capacities and stability, even at high lift heights. This is accomplished by way of a six roller carriage and four side thrust rollers.
- Nissan exclusive, single lever lift / tilt control simplifies operation by allowing simultaneous hydraulic functions.
- Full-Floating Cab design helps reduce driver fatigue by isolating road shock and vibrations up to the drivers compartment.
- Full Instrumentation Panel: gauges; fuel, water temperature, torque converter oil temperature, warning lamps; battery charge, engine oil pressure, brake fluid level, glow plug pilot (diesel), air cleaner plugging and coolant level.
- Nissan Forklifts offer, as standard equipment, a full light package consisting of; dual headlights with guards, stop/reverse lights, and turn signals. All assist in better operator/pedestrian visibility.
- Tilt steering column and adjustable seat increase total driver comfort and allow for improved control.
- Fully hydrostatic power steering reduces steering effort, eliminates kickback and provides more precise steering control.
- Nissan brake system; self adjusting shoes, non-asbestos pads, and a protective undercover assure positive braking in forward and reverse directions.
- High air intake system and cyclone air cleaner allow for increased engine and filter life.

# ENDURO SERIES

## 2000 to 3500lb. CUSHION FORKLIFTS

|             |                 |                                   |                                 |                     |                 |                 |         |
|-------------|-----------------|-----------------------------------|---------------------------------|---------------------|-----------------|-----------------|---------|
| GENERAL     | 1               | Manufacturer                      | Manufacturer's Name             |                     | NISSAN          |                 |         |
|             | 2               | Model                             | Manufacturer's Designation      |                     | C20K            |                 |         |
|             | 3               | Capacity                          | Rated Capacity                  | lb.                 | 2000            |                 |         |
|             | 4               | Load Center                       | Distance                        | in.                 | 24              |                 |         |
|             | 5               | Power Type                        | Gas - LPG - Diesel              |                     | Gas-LPG         |                 |         |
|             | 6               | Operator Type                     | Stand or Sit                    |                     | Sit             |                 |         |
|             | 7               | Tire Type                         | Cushion or Pneumatic            | front               | rear            | Cushion         | Cushion |
|             | 8               | Wheels                            | Number (X=driven)               | front               | rear            | 2X              | 2       |
| DIMENSIONS  | 9               | Mast                              | Standard lift height (TOF)      | in.                 | 130             |                 |         |
|             | 11              |                                   | Standard Free Lift (TOF)        | in.                 | 11              |                 |         |
|             | 13              | Forks                             | Thickness x Width               | in.                 | 1.5 x 4         |                 |         |
|             | 14              | Tilt Angle                        | Standard Upright - Fwd          | Bkwd                | °               | 5               | 10      |
|             | 15              | Overall Dimensions                | Length to face of forks         | in.                 | 75.8            |                 |         |
|             | 16              |                                   | Width (Standard Tires)          | in.                 | 36.0            |                 |         |
|             | 17              |                                   | Height, Std upright lowered     | in.                 | 82.9            |                 |         |
|             | 18              |                                   | Height, Std upright ext. w/ LBR | in.                 | 179.3           |                 |         |
|             | 19              |                                   | Overhead Guard                  | in.                 | 78.0            |                 |         |
|             | 20              |                                   | Height, Std Load Backrest       | in.                 | 48.0            |                 |         |
|             | 21              | Turning Radius                    | Minimum (Outside)               | in.                 | 65.2            |                 |         |
| 22          | Overhang        | Front*                            | Rear                            | in.                 | 14.4            | 14.2            |         |
| 23          | Rt. Angle Stkg. | Add load length and clearance*    | in.                             | 79.3                |                 |                 |         |
| PERF        | 24              | Speeds                            | Travel Speed - Fwd              | Rev (no load)       | mph             | 10.9            | 10.9    |
|             | 25              |                                   | Lift Speed - w/load             | no load             | fpm             | 100.4           | 112.2   |
|             | 26              |                                   | Lowering Speed - w/load         | no load             | fpm             | 98.5            | 108.3   |
|             | 27              | Drawbar Pull                      | Maximum, w/load                 | no load             | lb.             | 3970            | 1545    |
|             | 28              | Gradeability                      | w/load                          | no load             | %               | 45              | 24      |
| WT.         | 30              | Truck Weight                      | Std. Truck (no load)            |                     | lb.             | 4860            |         |
|             | 31              | Weight Dist.                      | Front Axle                      | Rear Axle (no load) | lb.             | 2395            | 2465    |
| W & HEIGHTS | 33              | Tires                             | Front                           | Size                |                 | 18 x 6 x 12 1/8 |         |
|             | 34              |                                   | Rear                            | Size                |                 | 14 x 4 1/2 x 8  |         |
|             | 35              | Wheelbase                         | Distance                        | in.                 | 47.2            |                 |         |
|             | 36              | Tread - Ctr.of Tire               | Single Tire - front             | rear                | in.             | 29.9            | 31.5    |
|             | 37              |                                   | Double Tire - front             | in.                 | N/A             |                 |         |
|             | 38              | Ground Clearance                  | Under Mast                      | in.                 | 3.0             |                 |         |
|             | 39              | Service Brake                     | Type - Drum & Shoe              | Hydraulic           |                 |                 |         |
| 40          | Parking Brake   | Type - Toggle Type Parking Brake  | Hand                            |                     |                 |                 |         |
| 41          | Steering        | Type - Fully Hydrostatic Steering | Hydrostatic                     |                     |                 |                 |         |
| E & GRADES  | 46              | Internal Combustion Engine        | Make/Model                      |                     | Nissan / H20-II |                 |         |
|             | 47              |                                   | Rated Output                    | SAE Gross           | hp/rpm          | 50 @ 2,400      |         |
|             | 48              |                                   | Rated Torque                    | SAE Gross           | ft-lb/rpm       | 116 @ 1,600     |         |
|             | 49              |                                   | Displacement                    | cu. in.             |                 | 120.94          |         |
| NINES.      | 50              | Transmission                      | Number of Speeds - Fwd          | Rev                 | 1               | 1               |         |
|             | 51              | Transmission                      | Type                            | Powershift          |                 |                 |         |

\* With a duplex mast add 4/10 of an inch. With a triplex mast add 6/10 of an inch.

Nissan Forklifts meet or exceed all ANSI B56.1 Safety Standards for Powered Industrial Trucks and Underwriters Laboratories requirements as to fire hazard for gasoline, LP gas and diesel.

The performance specifications shown represent nominal values which may be obtained under typical operating conditions of machine. Performance with LPG fuel may be expected to be less than the performance values shown. Nissan products and specifications are subject to change without notice.

# ENDURO SERIES

## 2000 to 3500lb. CUSHION FORKLIFTS

| GENERAL      | 1               | Manufacturer                      | Manufacturer's Name             |                     | NISSAN            |             | NISSAN          |             |                 |   |
|--------------|-----------------|-----------------------------------|---------------------------------|---------------------|-------------------|-------------|-----------------|-------------|-----------------|---|
|              | 2               | Model                             | Manufacturer's Designation      |                     | C30K              |             | C35K            |             |                 |   |
|              | 3               | Capacity                          | Rated Capacity                  |                     | 3000              |             | 3500            |             |                 |   |
|              | 4               | Load Center                       | Distance                        |                     | 24                |             | 24              |             |                 |   |
|              | 5               | Power Type                        | Gas - LPG - Diesel              |                     | Gas-LPG           |             | Gas-LPG         |             |                 |   |
|              | 6               | Operator Type                     | Stand or Sit                    |                     | Sit               |             | Sit             |             |                 |   |
|              | 7               | Tire Type                         | Cushion or Pneumatic            | front               | rear              | Cushion     | Cushion         | Cushion     | Cushion         |   |
|              | 8               | Wheels                            | Number (X=driven)               |                     | front             | rear        | 2X              | 2           | 2X              | 2 |
| DIMENSIONS   | 9               | Mast                              | Standard lift height (TOF)      |                     | in.               |             | 130             |             | 130             |   |
|              | 11              |                                   | Standard Free Lift (TOF)        |                     | in.               |             | 11              |             | 11              |   |
|              | 13              | Forks                             | Thickness x Width               |                     | in.               |             | 1.5 x 4         |             | 1.5 x 4         |   |
|              | 14              | Tilt Angle                        | Standard Upright - Fwd          | Bkwd                | °                 | 5           | 10              | 5           | 10              |   |
|              | 15              | Overall Dimensions                | Length to face of forks         |                     | in.               |             | 79.1            |             | 80.7            |   |
|              | 16              |                                   | Width (Standard Tires)          |                     | in.               |             | 36.0            |             | 36.0            |   |
|              | 17              |                                   | Height, Std upright lowered     |                     | in.               |             | 82.9            |             | 82.9            |   |
|              | 18              |                                   | Height, Std upright ext. w/ LBR |                     | in.               |             | 179.3           |             | 179.3           |   |
|              | 19              |                                   | Overhead Guard                  |                     | in.               |             | 78.0            |             | 78.0            |   |
|              | 20              |                                   | Height, Std Load Backrest       |                     | in.               |             | 48.0            |             | 48.0            |   |
|              | 21              | Turning Radius                    | Minimum (Outside)               |                     | in.               |             | 67.7            |             | 69.3            |   |
| 22           | Overhang        | Front*                            | Rear                            | in.                 | 14.4              | 17.5        | 14.4            | 19.1        |                 |   |
| 23           | Rt. Angle Stkg. | Add load length and clearance*    |                                 | in.                 |                   | 81.9        |                 | 83.7        |                 |   |
| PERF         | 24              | Speeds                            | Travel Speed - Fwd              |                     | Rev (no load) mph |             | 10.9            |             | 10.9            |   |
|              | 25              |                                   | Lift Speed - w/load             |                     | no load fpm       |             | 100.4           |             | 112.2           |   |
|              | 26              |                                   | Lowering Speed - w/load         |                     | no load fpm       |             | 98.5            |             | 108.3           |   |
|              | 27              | Drawbar Pull                      | Maximum, w/load                 |                     | no load lb.       |             | 3970            |             | 1435            |   |
| 28           | Gradeability    | w/load                            | no load                         | %                   | 45                | 18          | 36              | 16          |                 |   |
| WT.          | 30              | Truck Weight                      | Std. Truck (no load)            |                     | lb.               |             | 5755            |             | 6210            |   |
|              | 31              | Weight Dist.                      | Front Axle                      | Rear Axle (no load) | lb.               | 2165        | 3590            | 2060        | 4150            |   |
| W & HEIGHTS  | 33              | Tires                             | Size Front                      |                     |                   |             | 18 x 6 x 12 1/8 |             | 18 x 6 x 12 1/8 |   |
|              | 34              |                                   | Rear                            |                     |                   |             | 14 x 4 1/2 x 8  |             | 14 x 4 1/2 x 8  |   |
|              | 35              | Wheelbase                         | Distance                        |                     | in.               |             | 47.2            |             | 47.2            |   |
|              | 36              | Tread - Ctr. of Tire              | Single Tire - front             |                     | rear              |             | in.             |             | 29.9            |   |
|              | 37              |                                   | Double Tire - front             |                     | in.               |             | N/A             |             | N/A             |   |
|              | 38              | Ground Clearance                  | Under Mast                      |                     | in.               |             | 3.0             |             | 3.0             |   |
|              | 39              | Service Brake                     | Type - Drum & Shoe              |                     |                   |             | Hydraulic       |             | Hydraulic       |   |
| 40           | Parking Brake   | Type - Toggle Type Parking Brake  |                                 |                     |                   | Hand        |                 | Hand        |                 |   |
| 41           | Steering        | Type - Fully Hydrostatic Steering |                                 |                     |                   | Hydrostatic |                 | Hydrostatic |                 |   |
| E & GRANNES. | 46              | Internal Combustion Engine        | Make/Model                      |                     |                   |             | Nissan / H20-II |             | Nissan / H20-II |   |
|              | 47              |                                   | Rated Output SAE Gross          |                     | hp/rpm            |             | 50 @ 2,400      |             | 50 @ 2,400      |   |
|              | 48              |                                   | Rated Torque SAE Gross          |                     | ft-lb/rpm         |             | 116 @ 1,600     |             | 116 @ 1,600     |   |
|              | 49              |                                   | Displacement                    |                     | cu. in.           |             | 120.94          |             | 120.94          |   |
|              | 50              | Transmission                      | Number of Speeds - Fwd          |                     | Rev               |             | 1               |             | 1               |   |
| 51           | Transmission    | Type                              |                                 |                     |                   | Powershift  |                 | Powershift  |                 |   |

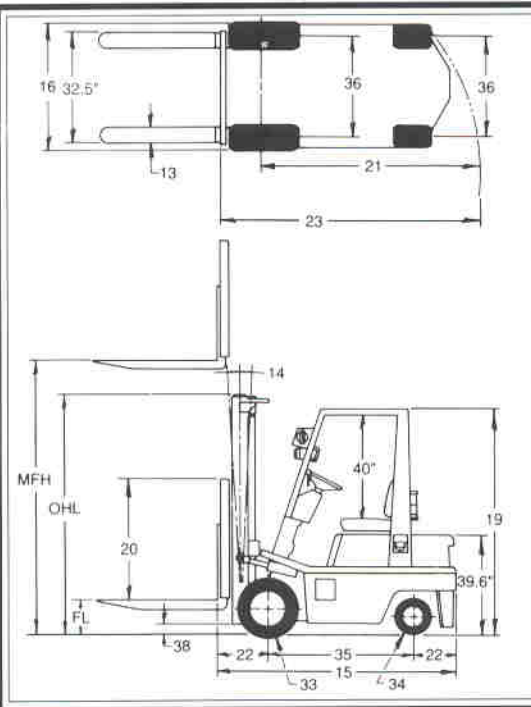
\* With a duplex mast add 4/10 of an inch. With a triplex mast add 6/10 of an inch.

Nissan Forklifts meet or exceed all ANSI B56.1 Safety Standards for Powered Industrial Trucks and Underwriters Laboratories requirements as to fire hazard for gasoline, LP gas and diesel.

The performance specifications shown represent nominal values which may be obtained under typical operating conditions of machine. Performance with LPG fuel may be expected to be less than the performance values shown. Nissan products and specifications are subject to change without notice.

# Schematics

# Mast & Capacity Charts



## carriage width

|            | <u>Nissan Masts</u> |          |
|------------|---------------------|----------|
| <b>C20</b> | WV-wide view        | Class II |
| <b>C30</b> | D-duplex            | 32.5"    |
| <b>C35</b> | T-triplex           |          |

## Major Mast Option List - C20 & C30 & C35

| <u>MAST</u> | <u>OHL</u> | <u>FL</u> | <u>MFH</u> | <u>TILT F/B</u> |
|-------------|------------|-----------|------------|-----------------|
| W130        | 83.0"      | 11.0"     | 130"       | 5/10            |
| D130        | 83.0"      | 60.0"     | 130"       | 5/10            |
| NT187       | 83.0"      | 60.0"     | 187"       | 5/5             |

Ask your Nissan Dealer for mast options not listed above.

## Rated Capacities For Major Mast List - C20 & C30 & C35

| <u>MAST</u> | <u>C20</u> | <u>C30</u> | <u>C35</u> |
|-------------|------------|------------|------------|
| W130        | 2,000lbs.  | 3,000lbs.  | 3,500lbs.  |
| D130        | 1,950lbs.  | 2,950lbs.  | 3,450lbs.  |
| T187        | 1,800lbs.  | 2,750lbs.  | 3,200lbs.  |

These Capacities are based on standard tire tread width, except for the T187 mast (all triplex masts) which require standard tire wide tread.

Wide tread will increase overall truck width to 38.4".

Ask your Nissan Dealer about rated capacities for mast options not listed above and optional wide drive tires.

Capacities are computed with masts in vertical position with a 24" load center. These trucks have full rated capacity, with wide view masts, up to 157". For capacities above 157" - consult Salesman's Handbook.

## Standard Equipment for NISSAN, how about the competition ?

### FEATURES

- Industrial Engine
- H20-II gas engine (2.0L)
- Transistorized Ignition
- w/ Built-In Coil
- Bottom Bypass System
- Fast Idle Control Device
- Over Square Engine Design
- Anti-Restart System
- IC Regulator
- Return-to-Neutral
- Planetary Gear-Type Starter
- High Air Intake System
- Cyclone Air Cleaner
- Unitized Drive Train
- "F" Blade Cooling Fan
- Engine Fan Shroud
- Corrugated Radiator
- Radiator Overflow Bottle
- Piccolo-Type Exhaust
- Spark Arresting Muffler
- Integral Gasoline Tank

### FEATURES

- Side Step & Assist Grip
- Diamond-Plate Floorboard
- Easy Transmission Fluid Check
- Heel / Toe Pedal Configuration
- Separate Inching Pedal
- 14" Diameter Steering Wheel
- Tilt Steering Column
- Single Lift/Tilt Lever
- Mirrors & Back Up Alarm
- Dual Headlights w/ Guards
- Stop/Reverse Lights
- Turn Signal Lights
- Full Instrument Panel
- Full Floating Cab Design
- 4-Piece Overhead Guard
- Gas Stay on Top Panel
- Insulated Top Panel
- Adjustable Seat
- Seat Belt with Hip Restraints
- Toggle Type Parking Brake
- Mechanical Directional Linkage

### FEATURES

- Hydrostatic Power Steering
- 3rd Spool Valve & Lever
- Steel Hydraulic Lines
- Integral Hydraulic Tank
- Hydraulic Relief Valve
- Hydraulic Pump runs off Engine
- O-Ring Seals & Vinyl Wipers
- Wideview Mast Design
- Wrap Around Mast Design
- 6-Roller Carriage
- Flow Control Valve
- Down Safety Valve
- Accessible Grease Zerks
- Full-Floating Drive Axle
- Articulating Steer Axle
- Separate Brake Drum From Rim
- Anodized Bolts
- Fusible Link System
- Metal Capacity Plate
- Parts Interchangeability
- One-Bolt Counterweight Removal