

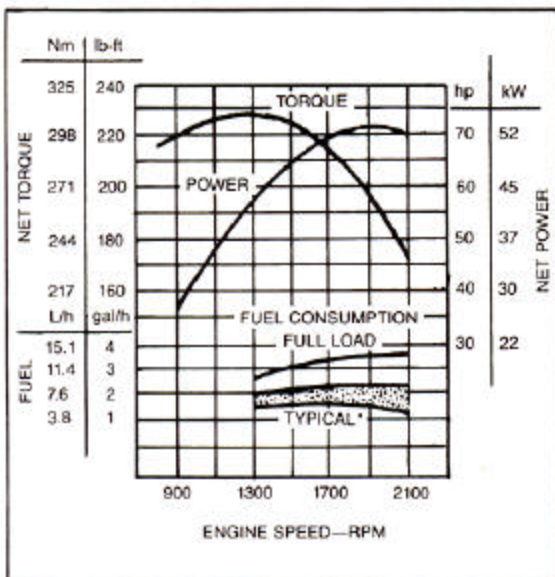


455G LOADER



Model shown may include options

ENGINE PERFORMANCE



*Depending on operating variables

FEATURES

70 SAE net hp (52 kW)

17,300 to 20,400 lb. (7847 to 9254 kg) standard track, 18,400 to 21,400 lb. (8346 to 9707 kg) wide track operating weight with typical options and special equipment

Single-lever loader control

Power Shift transmission

Dura-Trax™ undercarriage with boron steel deep-heat-treated, sealed track links; deep-heat-treated sealed rollers; boron-steel through-hardened grousers; sealed front idler and carrier roller

Self-adjusting, oil-cooled steering clutches and brakes

Pedal steering (lever optional)

Roll-over protective structure (ROPS)

Vandal protection

ADD VERSATILITY WITH:

Backhoe

Fairlead

Integral log arch

Log and lumber forks

Multipurpose bucket

Ripper

Winch

TED B. MILLER CO. INC.

Hwy 92 East

P.O. Box 460

Gering, Nebr. 69341

455G LOADER SPECIFICATIONS

Specifications and design subject to change without notice. Wherever applicable, specifications are in accordance with SAE Standards. Except where otherwise noted, these specifications are based on a unit with 1½ cu. yd. (0.96 m³) digging bucket w/teeth, roll-over protective structure, full fuel tank, 175-lb. (80 kg) operator and standard equipment.

Rated Power @ 2100 rpm:	SAE	DIN 6270B
Net	70 hp (52 kW)	52 kW
Gross	73 hp (54.5 kW)	

Net engine power is with standard equipment including air cleaner, exhaust system, alternator, and cooling fan, at standard conditions per SAE J1349 and DIN 6270B, using No. 2-D fuel @ 35 API gravity. No derating is required up to 5000 feet (1500 m) altitude. Gross power is without cooling fan.

Engine: John Deere 4276D

Type	4-stroke cycle, naturally aspirated diesel
Bore and stroke	4.19 x 5.00 in. (106.5 x 127 mm)
No. of cylinders	4
Displacement	276 cu. in. (4.524 L)
Maximum net torque @ 1300 rpm	226 lb-ft (309 Nm) (31.5 kg-m)
Torque rise	30 percent
Cooling fan	Blower
Compression ratio	17.8 to 1
Main bearings	5
Lubrication	Pressure system w/full-flow filter
Air cleaner w/restriction indicator	Dry
Electrical system	12 volt w/alternator
Battery (12 volt)	Reserve capacity: 180 minutes

Transmission Powershift — 4 speeds forward and reverse.

Travel Speeds:

Gear	Forward		Reverse	
	mph	km/h	mph	km/h
1	1.1	1.8	1.3	2.1
2	1.9	3.1	2.1	3.4
3	2.9	4.7	3.2	5.2
4	4.9	7.9	5.4	8.7

Steering:

Steering clutches and brakes are controlled by a single pedal for each track (lever steering optional).

Clutches Oil-cooled, hydraulically actuated, multiple-disk, 11-in. (279 mm) disk; 12 friction surfaces per clutch.

Brakes Self-adjusting, self-energizing, oil-cooled contracting band with bonded lining.

Hydraulic System:

Control	Single-lever
Pump	Gear, 30 gpm (114 L/min)
Pressure	2600 psi (17 927 kPa) (182.8 kg/cm²)
Oil lines	Seamless steel tubing, double-wire-braid hose
Filter	Spin-on

Hydraulic Cylinders:

	Bore	Stroke
Boom, two	3.93 in. (100 mm)	32.55 in. (827 mm)
Bucket, two	3.5 in. (90 mm)	29.30 in. (744 mm)
Cylinder rods	Ground, heat-treated, chrome-plated, polished	
Boom cylinder rods	1.96 in. (50 mm) dia.	
Bucket cylinder rods	1.96 in. (50 mm) dia.	

Undercarriage: 5-roller track frame with chain guides.

Dura-Trax deep-heated components.

Standard Track

Two-bar grouser, closed-center	14 in. (356 mm)
Track shoes, each side	37
Ground contact area	2128 sq. in. (13 729 cm²)
Ground pressure	8.4 psi (58 kPa) (.59 kg/cm²)
Length of track on ground	76 in. (1930 mm)
Track gauge	57 in. (1450 mm)
Carrier roller	1
Adjustment	Hydraulic
Clearance at transverse case	13 in. (330 mm)

Wide Track

Two-bar grouser, closed-center	21 in. (533 mm)
Track shoes, each side	37
Ground contact area	3192 sq. in. (20 595 cm²)
Ground pressure	5.8 psi (40.0 kPa) (0.41 kg/cm²)
Length of track on ground	76 in. (1930 mm)
Track gauge	68 in. (1727 mm)
Carrier roller	1
Adjustment	Hydraulic
Clearance at rear crossbar	13 in. (330 mm)

	U.S.	Liters
Capacities:		
Fuel tank	41 gal.	155.2
Cooling system	18 qt.	17.0
Crankcase, including filter	9 qt.	8.5
Transmission	22.5 gal.	85.2
Final drive (each)	7 qt.	6.6
Loader hydraulic reservoir	10 gal.	37.9
Loader hydraulic system	18 gal.	68.1

Additional Standard Equipment:

Adjustable cushion seat with armrests
Blower fan
Boom safety lock bar
Bucket level indicator
Chain guides
Decelerator
Electric hourmeter
Electronic monitor
Engine side shields, perforated
Front and rear bottom guards
Horn
Key switch start
Muffler
Power control pedal
Precleaner
Rear counterweights
Return to dig
ROPS canopy, isolation mounted and seat belt
Sealed and chrome-plated pins
Sprocket weights
Trash-resistant radiator
Vandal protection
Winch drive

SAE Operating Weight w/ROPS:

Standard Track	17,900 lb. (8120 kg)
Wide Track	18,700 lb. (8480 kg)

455G Loader OPERATING INFORMATION

OPERATING Information	BUCKET		
	General Purpose		** Multipurpose
	* Wide Track	Standard	
Capacity, heaped, SAE	1.25 cu. yd. (.96 m ³)	1.25 cu. yd. (.96 m ³)	1.25 cu. yd. (.96 m ³)
Capacity, struck, SAE	1.03 cu. yd. (.79 m ³)	1.05 cu. yd. (.80 m ³)	1.05 cu. yd. (.80 m ³)
Bucket width	94.4 in. (2398 mm)	77.70 in. (1974 mm)	77.70 in. (1974 mm)
Bucket weight, including teeth	1204 lb. (546 kg)	1053 lb. (477 kg)	2180 lb. (989 kg)
SAE breakout force	17,600 lb. (78.3 kN) (8000 kg)	15,735 lb. (70 kN) (7137 kg)	13,400 lb. (59.6 kN) (6077 kg)
SAE tipping load (w/drawbar, two counterweights, two sprocket weights and ROPS)	12,350 lb. (5600 kg)	11,800 lb. (5350 kg)	11,200 lb. (5075 kg)
Raising time	6.5 sec.	6.5 sec.	6.6 sec.
Dumping time	1.5 sec.	1.5 sec.	1.5 sec.
Lowering time	2.7 sec.	2.7 sec.	2.3 sec.
SAE operating weight w/ROPS canopy	18,700 lb. (8480 kg)	17,900 lb. (8120 kg)	19,630 lb. (8902 kg)
SAE operating weight w/ROPS cab	19,400 lb. (8800 kg)	18,570 lb. (8420 kg)	20,264 lb. (9190 kg)

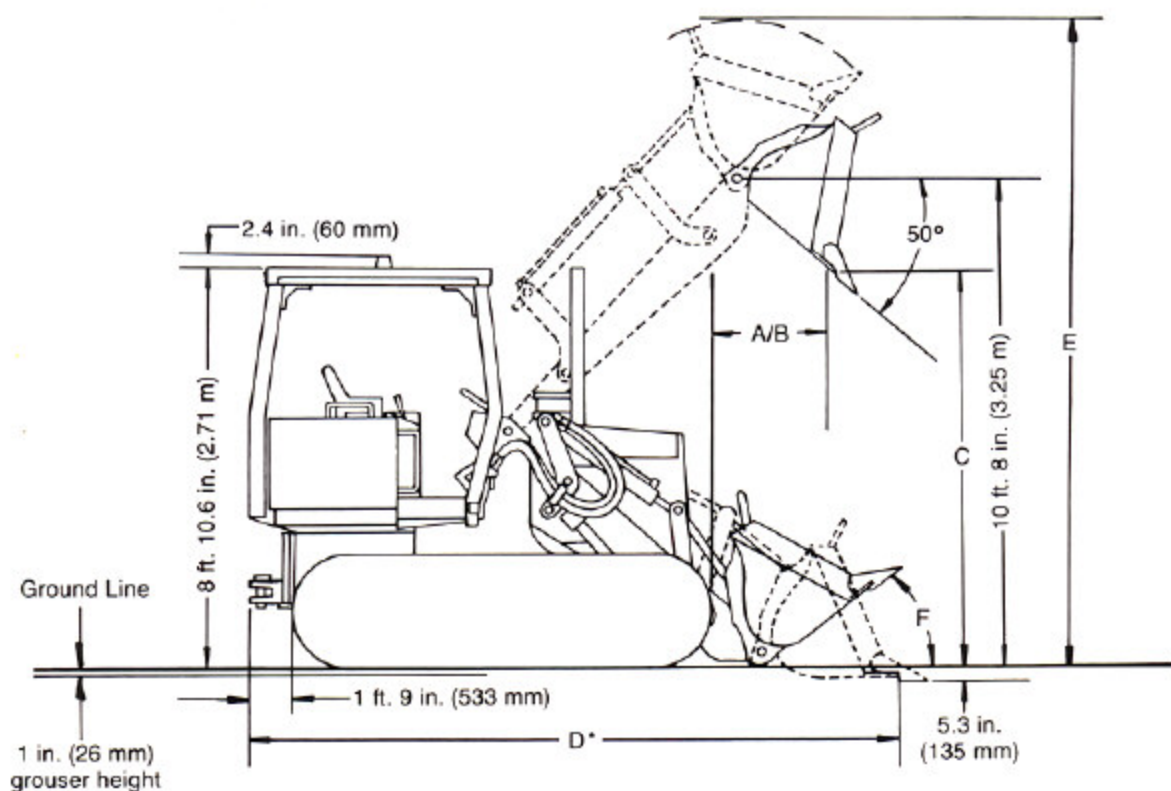
* With 3 counterweights—"0" Sprocket weight

** With 4 counterweights and 2 sprocket weights

Adjustments to operating weights and tipping loads for 1.25 cu. yd. (.96 m ³) standard bucket	Loader Operating Weight	Tipping Load
Add (+) or deduct (-) lb. (kg) as indicated for loader equipped with:		
Cab	+ 676 lb. (306 kg)	+ 500 lb. (227 kg)
Bucket teeth, bolt on	- 138.5 lb. (62.8 kg)	+ 185 lb. (84 kg)
Radial ripper with 3 shanks (w/o drawbar and rear counterweights)	+ 70 lb. (32 kg)	+ 200 lb. (90 kg)
Counterweight (each)	+ 300 lb. (136 kg)	+ 500 lb. (226 kg)

Optional or Special Equipment with Weights	lb.	kg
(Add these weights to SAE Standard Equipment operating weights to obtain total operating weights.)		
Altitude compensating engine turbocharger	30	13
Auxiliary starting receptacle	2	1
Backhoe with 24-in. (610 mm) standard bucket	3350	1522
Buckets		
Multipurpose	1130	513
Wide-Track	150	68
Cab, ROPS w/seat belt	680	309
Ether starting aid	1	.5
Drawbar	65	30
Full length rock guards	105	47
Headliner for ROPS canopy	3	1
Third function valve for auxiliary equipment	50	23
Lever steering	59	26
Lights, halogen	5	2
Master electrical disconnect switch	1	.5
Operator protection screens, rear	85	38
side	270	122
Radiator sand screens	2	1
Rear counterweight (each)	300	145
Reverse warning alarm	2	1
Reversible fan	11	5
Ripper, rear	742	336
Ripper, parallelogram	1380	626
Sealed and lubricated chain	- 59	- 27
Suspension seat	41	18
3-in. (76 mm) seat belt	2	1
Two batteries	63	28
Winch	975	422

Note: When adding optional front and rear equipment, add appropriate counterweight.



	DIMENSIONS					Rollback Angle	
	A	B	C	D*	E	F	
Bucket Type	Reach at Max. Height (45° Discharge)	Reach at 7 ft. (2.13 m) Clearance (45° Discharge)	Dump Clearance Max. Height (45° Discharge)	Overall Length	Maximum Height	Concrete Level	Carry Position
General Purpose	34.3 in. (871 mm)	49.8 in. (1265 mm)	103.1 in. (2620 mm)	175.7 in. (4464 mm)	168.7 in. (4285 mm)	40°	47°
Wide Track	30.4 in. (773 mm)	46.3 in. (1176 mm)	103.7 in. (2635 mm)	171.1 in. (4347 mm)	164.1 in. (4169 mm)	36°	45°
Multipurpose	34.6 in. (880 mm)	46.6 in. (1185 mm)	97.8 in. (2485 mm)	178.6 in. (4537 mm)	169.4 in. (4304 mm)	40°	46°

*With two counterweights