

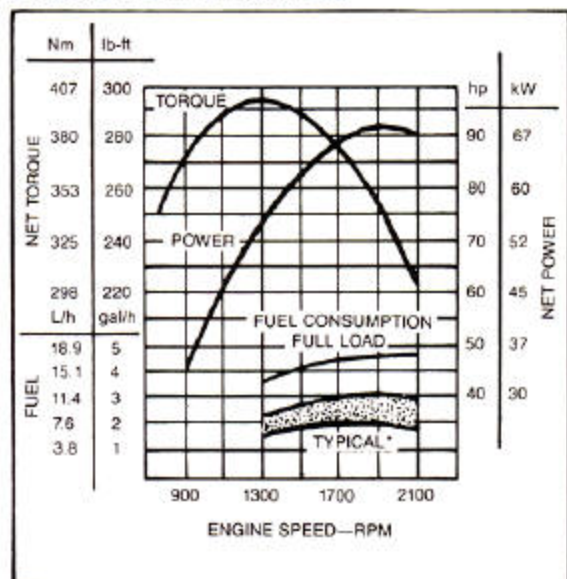


555G LOADER



Model shown may include options

ENGINE PERFORMANCE



*Depending on operating variables

FEATURES

90 SAE net hp (67 kW) John Deere turbocharged diesel engine

19,500 to 23,100 lb. (8845 to 10 478 kg) standard track, 20,600 to 24,100 lb. (9344 to 10 932 kg) wide track operating weight with typical options and special equipment

Single-lever loader control

Power Shift transmission

Dura-Trax™ undercarriage with boron steel, deep-heat-treated, strutted, sealed track links; deep-heat-treated sealed rollers; boron steel through-hardened grousers; sealed front idler and carrier roller

Self-adjusting, oil-cooled steering clutches and brakes

Pedal steering (lever optional)

Roll-over protective structure (ROPS)

Vandal protection

ADD VERSATILITY WITH:

Backhoe

Fairlead

Integral log arch

Log and lumber forks

Multipurpose bucket

Ripper

Winch

TED B. MILLER CO. INC.
Hwy 92 East
P.O. Box 460
Gering, Nebr. 69341

555G LOADER SPECIFICATIONS

Specifications and design are subject to change without notice. Wherever applicable, specifications are in accordance with SAE Standards. Except where otherwise noted, these specifications are based on a unit with 1½ cu. yd. (1.15 m³) digging bucket w/teeth, roll-over protective structure, full fuel tank, 175-lb. (80 kg) operator and standard equipment.

Rated Power @ 2100 rpm:	SAE	DIN 6270B
Net	90 hp (67 kW)	67 kW
Gross	95 hp (71 kW)	

Net engine power is with standard equipment including air cleaner, exhaust system, alternator, and cooling fan, at standard conditions per SAE J1349 and DIN 6270B, using No. 2-D fuel @ 35 API gravity. No derating is required up to 10,000 feet (3050 m) altitude. Gross power is without cooling fan.

Engine: John Deere 4276T

Type	4-stroke cycle, turbocharged diesel
Bore and stroke	4.19 x 5.00 in. (106.5 x 127 mm)
No. of cylinders	4
Displacement	276 cu. in. (4.524 L)
Maximum net torque @ 1300 rpm	293 lb-ft (397 Nm) (40.5 kg-m)
Torque rise	30 percent
Cooling fan	Blower
Compression ratio	17.2 to 1
Main bearings	5
Lubrication	Pressure system w/full-flow filter and cooler
Air cleaner w/restriction indicator	Dry
Electrical system	12-volt
Battery (12 volt)	Reserve capacity: 180 minutes

Transmission Power Shift - four speeds forward and reverse.

Travel Speeds:

Gear	Forward		Reverse	
	mph	(km/h)	mph	(km/h)
1	1.2	1.9	1.4	2.3
2	2.1	3.4	2.3	3.7
3	3.3	5.3	3.6	5.8
4	5.4	8.7	6.0	9.7

Steering:

Steering clutches and brakes are controlled by a single pedal for each track (lever steering optional).

Clutches Oil-cooled, hydraulically actuated, multiple-disk, 11-in. (279 mm) disks; 12 friction surfaces per clutch.

Brakes Self-adjusting, self-energizing, oil-cooled contracting band with bonded lining.

Hydraulic System:

Control Triple hydraulic valve with single-lever bucket control and third function control

Pump

Pressure

Oil lines

Filter

Hydraulic Cylinders:

	Bore	Stroke
Boom (2)	4.53 in. (115 mm)	31.93 in. (811 mm)
Bucket (2)	3.94 in. (100 mm)	29.3 in. (744 mm)
Cylinder rods	Ground, heat-treated, chrome-plated, polished	
Boom cylinder rods	2.48-in. (63 mm) dia.	
Bucket cylinder rods	1.96-in. (50 mm) dia.	

Undercarriage: 6-roller track frame with chain guides.

Dura-Trax deep-heated components.

Standard Track

Two-bar grouser, closed-center	16 in. (410 mm)
Track shoes, each side	36
Ground contact area	2522 sq. in. (16 270 cm²)
Ground pressure	8.0 psi (55 kPa) (.56 kg/cm²)
Length of track on ground	78.8 in. (2002 mm)
Track gauge	61 in. (1550 mm)
Carrier roller	1
Adjustment	Hydraulic
Clearance at transverse case	14.25 in. (362 mm)

Wide Track

Two-bar grouser, closed center	24 in. (610 mm)
Track shoes, each side	36
Ground contact area	3782 sq. in. (20 440 cm²)
Ground pressure	5.6 psi (38.6 kPa) (.39 kg/cm²)
Length of track on ground	78.8 in. (2002 mm)
Track gauge	69 in. (1753 mm)
Carrier roller	1
Adjustment	Hydraulic
Clearance at transverse case	14.75 in. (375 mm)

	U.S.	Liters
Capacities:		
Fuel tank	41 gal.	155.2
Cooling system	18 qt.	17.0
Crankcase, including filter	13 qt.	12.3
Transmission	22.5 gal.	85.2
Final drive (each)	7 qt.	6.6
Loader hydraulic reservoir	10 gal.	37.8
Loader hydraulic system	19.7 gal.	74.5

Additional Standard Equipment:

- Adjustable cushion seat and armrests
- Blower fan
- Boom safety lock bar
- Bucket level indicator
- Chain guides
- Decelerator
- Electric hourmeter
- Electronic monitor
- Engine side shields, perforated
- Front and rear bottom guards
- Horn
- Key switch start
- Muffler
- Power control pedal
- Precleaner
- Rear counterweights
- Return to dig
- ROPS canopy, isolation mounted and seat belt
- Sealed and chrome-plated pins
- Sprocket weights
- Trash resistant radiator
- Vandal protection
- Winch drive

SAE Operating Weight w/ROPS

Standard Track	20,100 lb. (9117 kg)
Wide Track	21,000 lb. (9525 kg)

OPERATING Information	BUCKET		
	General Purpose		** Multipurpose
	* Wide Track	Standard	
Capacity, heaped, SAE	1.5 cu. yd. (1.15 m ³)	1.5 cu. yd. (1.15 m ³)	1.5 cu. yd. (1.15 m ³)
Capacity, struck, SAE	1.25 cu. yd. (.95 m ³)	1.25 cu. yd. (.95 m ³)	1.2 cu. yd. (.92 m ³)
Bucket width	97.4 in. (2473 mm)	84.9 in. (2156 mm)	84.9 in. (2156 mm)
Bucket weight, including teeth	1530 lb. (694 kg)	1250 lb. (567 kg)	2320 lb. (1052 kg)
SAE breakout force	21,900 lb. (97 kN) (9930 kg)	20,250 lb. (90 kN) (9185 kg)	18,300 lb. (81.4 kN) (8302 kg)
SAE tipping load (w/drawbar, two counterweights, two sprocket weights and ROPS)	14,400 lb. (6530 kg)	13,600 lb. (6168 kg)	12,905 lb. (5855 kg)
Raising time	6.5 sec.	6.5 sec.	6.6 sec.
Dumping time	1.6 sec.	1.6 sec.	1.6 sec.
Lowering time	3.8 sec.	3.8 sec.	3.4 sec.
SAE operating weight w/ROPS canopy	21,000 lb. (9525 kg)	20,100 lb. (9117 kg)	21,807 lb. (9890 kg)
SAE operating weight w/ROPS cab	21,630 lb. (9810 kg)	20,734 lb. (9403 kg)	22,441 lb. (10,177 kg)

*With 4 counterweights—"0" sprocket weight

**With 4 counterweights and 2 sprocket weights

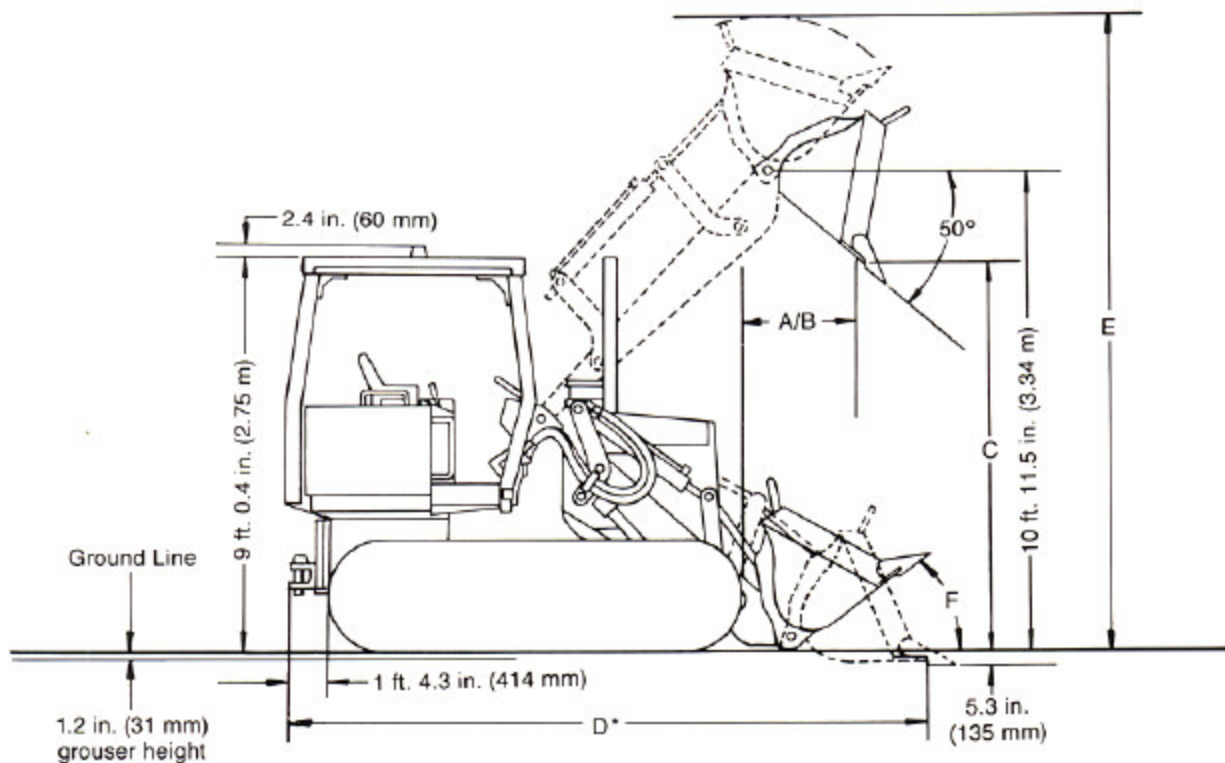
Adjustments to operating weights and tipping loads for 1.5 cu. yd. (1.15 m ³) standard bucket		
Add (+) or deduct (-) lb. (kg) as indicated for loader equipped with:	Loader Operating Weight	Tipping Load
Cab	+ 632 lb. (286 kg)	+ 450 lb. (204 kg)
Bucket teeth, bolt on	- 143.8 lb. (65.2 kg)	+ 192 lb. (87 kg)
Parallel Ripper w/three shanks (w/o drawbar and four counterweights)	+ 800 lb. (363 kg)	+ 1,100 lb. (500 kg)
Counterweight (each)	+ 300 lb. (136 kg)	+ 500 lb. (226 kg)

Optional or Special Equipment:

(Add these weights to SAE Standard Equipment operating weights to obtain total operating weights.)

	lb.	kg
Auxiliary starting receptacle	2	1
Backhoe with 24-in. (610 mm) standard bucket	3350	1522
Buckets		
Multipurpose	1070	486
Wide-Track	280	127
Cab, ROPS w/seat belt	680	309
Ether starting aid	1	.5
Drawbar	65	30
Full length rock guards	110	50
Headliner for ROPS canopy	3	1
Third function valve for auxiliary equipment	50	23
Lever steering	59	26
Lights, halogen	5	2
Master electrical disconnect switch	1	.5
Operator protection screens, rear	85	38
side	270	122
Radiator sand screens	2	1
Rear counterweight	300	145
Reverse warning alarm	2	1
Reversible fan	11	5
Ripper, rear	742	336
Ripper, parallelogram	1380	626
Sealed and lubricated chain	- 62	- 28
Suspension seat	41	18
3-in. (76 mm) seat belt	2	1
Two batteries	63	28
Winch	975	422

Note: When adding optional front and rear equipment, add appropriate counterweight.



	DIMENSIONS					Rollback Angle	
	A	B	C	D*	E	F	
Bucket Type	Reach at Max. Height (45° Discharge)	Reach at 7 ft. (2.13 m) Clearance (45° Discharge)	Dump Clearance Max. Height (45° Discharge)	Overall Length	Maximum Height	Concrete Level	Carry Position
General Purpose	34.2 in. (868 mm)	51.1 in. (1298 mm)	105.1 in. (2670 mm)	182.2 in. (4630 mm)	174.1 in. (4424 mm)	40°	47°
Wide Track	30.7 in. (780 mm)	48.1 in. (1221 mm)	106.3 in. (2700 mm)	179.5 in. (4560 mm)	170.6 in. (4334 mm)	38°	46°
Multipurpose	34.0 in. (863 mm)	48.2 in. (1224 mm)	106.1 in. (2695 mm)	184.9 in. (4697 mm)	174.4 in. (4430 mm)	40°	44°

*With two counterweights