

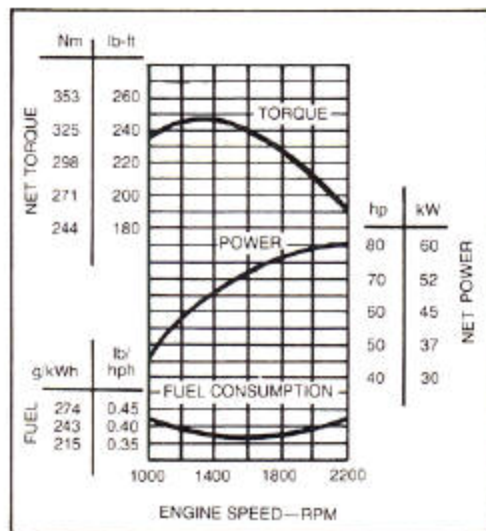


610B BACKHOE LOADER



Model shown may include options

ENGINE PERFORMANCE



FEATURES

- 80-*SAE* net hp (60 kW) turbocharged John Deere diesel
- Backhoe digging depth (*SAE*) 16 ft. 2 in. (4.93 m)
- Unitized frame
- Isolated engine and operator's station
- Walk-in front entry
- Designed for quietness
- Closed-center hydraulic system
- Weight distributed for working stability
- Self-adjusting manual hydraulic wet-disk power brakes
- Inboard planetary final drives
- Separate rear axle assembly w/hydraulic power differential lock
- Power-shift transmission w/8 speeds forward, 4 reverse
- Single-lever loader control
- Two-lever backhoe control
- Two-lever stabilizer control
- Stabilizer lock-outs — raise and lower
- Multi-adjustable swing-around seat w/high backrest and armrests
- Hydrostatic power steering
- Soundproofed cab w/integral ROPS/FOPS
- Vandal protection w/built-in locks

ADD VERSATILITY WITH:

- ▲ Mechanical Front-Wheel Drive With: Wet clutch—engage on the go
- Offset driveshaft for better ground clearance

TED B. MILLER CO., INC.
 Hwy 92 East
 P.O. Box 460
 Gering, Nebr. 69341



610B BACKHOE LOADER SPECIFICATIONS

(Specifications and design subject to change without notice. Wherever applicable, specifications are in accordance with SAE Standards. Except where otherwise noted, these specifications are based on a unit with 19.5L-24, 12 PR, R4 rear tires; 11L-16, 12 PR, F3 front tires; 1.3 cu./yd. (1.0 m³) loader bucket; 24-in. (610 mm) high-capacity backhoe bucket; ROPS/FOPS, full fuel tank and 175-lb. (79 kg) operator.)

Rated Power @2200 rpm:	SAE	DIN 70 020
Net	80 hp (60 kW)	60 kW
Gross	86 hp (64 kW)	

Net engine power is with standard equipment including air cleaner, exhaust system, alternator, and cooling fan, at standard conditions per SAE J1349 and DIN 70 020, using No. 2-D fuel @35 API gravity. No derating is required up to 10,000 feet (3050 m) altitude. Gross power is without cooling fan.

Engine: John Deere 4-276D

Type	4-stroke cycle, turbocharged diesel	
Bore and stroke	4.19 x 5.00 in. (106 x 127 mm)	
No. of cylinders	4	
Displacement	276 cu. in. (4,524 L)	
Maximum net torque @1300 rpm	249 lb-ft (336 Nm) (34.3 kg-m)	
	25% torque rise	
Cooling fan	Suction	
Compression ratio	16.2 to 1	
Lubrication	Pressure system w/full-flow filter and cooler	
Main bearings	5	
Air cleaner	Dry	
Electrical system	12 volt	
Alternator	51 amps w/cab, 35 amps regular	

Transmission:

Full power shift, 8 speeds forward, 4 reverse. Modulated, full power shift between forward and reverse in first through fourth speeds. Reverser operating lever left of steering wheel. Single speed-change lever in right console.

▲ Travel Speeds:

	Gear	Forward		Reverse	
		mph	(km/h)	mph	(km/h)
With standard 19.5L-24 rear and 11L-16 front tires	1	1.8	2.9	2.2	3.5
	2	2.5	4.0	3.1	5.0
	3	3.9	6.3	4.8	7.7
	4	5.1	8.2	6.2	10.0
	5	6.6	10.6		
	6	8.5	13.7		
	7	11.2	18.0		
	8	18.8	30.3		
With MFWD and 21L-24 (required) rear and 12-16.5 front tires	1	1.8	2.9	2.2	3.6
	2	2.6	4.2	3.2	5.1
	3	4.0	6.5	4.9	7.9
	4	5.2	8.4	6.4	10.3
	5	6.8	11.0		
	6	8.8	14.2		
	7	11.5	18.5		
	8	19.5	31.3		

Final Drives Planetary, inboard

Steering: Hydrostatic power

Steering, regular axle:	
Turning radius (brake applied)	10 ft. 3 in. (3.12 m)
Clearance circle	29 ft. 6 in. (9 m)
Steering wheel turns, left to right	2.9
right to left	3.9
Axle oscillation stop to stop	22 deg.

▲ Mechanical Front-Wheel Drive:

Turning radius (brake applied)	12 ft. 10 in. (3.91 m)
Clearance circle	30 ft. 11 in. (9.42 m)
Steering wheel turns, left to right	3.2
right to left	4.2
Axle oscillation, stop to stop	22 deg.

Brakes: Hydraulic, power actuated, fully enclosed wet-disk. Foot-operated individually or simultaneously; self-equalizing.

Secondary Brake Mechanical caliper disk located on differential input shaft

Hydraulic System: Closed-center (variable-flow, constant pressure)

Pressure	2500 psi (17 238 kPa) (175.8 kg/cm ²)
Pump	8 radial pistons, variable flow
Flow @2000 psi (13 790 kPa) (140.6 kg/cm ²)	35 gpm (2.21 L/s)
Filter, return oil	10 micron, steel-enclosed replaceable paper element
Screen, pressure oil	50/in. (20/cm) mesh

Hydraulic Cylinders:	Bore		Stroke		Rod	
	In. (mm)	In. (mm)	In. (mm)	In. (mm)	In. (mm)	In. (mm)
Loader boom (2)	3.5	89	30	762	1.75	44
Loader bucket (1)	4.0	102	24.4	620	2.0	51
Backhoe boom (1)	5.0	127	42.7	1085	2.5	64
Backhoe crowd (1)	4.5	114	34.5	876	2.25	57
Backhoe bucket (1)	3.5	89	27.4	696	2.25	57
Backhoe swing (2)	4.0	102	9.5	241	2.0	51
Backhoe extendable dipper (1)	2.5	64	60	1524	1.25	32
Backhoe stabilizers (2)	4.0	102	20.3	516	2.0	51
Steering (1) regular axle	2.0	51	9.5	241	1.0	25.4

Tires:	Front	Rear
	11L-16, 12 PR, F3	18.4-28, 12 PR, R4
	14.5/75-16.1, 10 PR, F3	19.5L-24, 12 PR, R4
	21L-24, 10 PR, R4	

▲ MFWD 12.00-16.5, 8 PR, R4 21L-24, 10 PR, R4
12.00-16.5, 8 PR, R4
(w/calcium chloride)

▲ Wheel Treads:

Front	68 in. (1730 mm)
Rear	68 in. (1675 mm)
MFWD - Front	68 in. (1727 mm)
- Rear	68 in. (1727 mm)

Wheelbase 83 in. (2110 mm)

Axle Ratings: Static Rating Dynamic Rating SAE J43

Front	56,000 lb. (25 450 kg)	56,000 lb. (25 450 kg)	10,500 lb. (4760 kg)
Rear	74,000 lb. (33 600 kg)	98,800 lb. (44 900 kg)	13,660 lb. (6195 kg)

Capacities: U.S. Liters

Fuel tank	23 gal.	87
Engine coolant	17 qt.	16
Engine oil including filter	9 qt.	8.5
Transmission and hydraulic system	20 gal.	76
Rear axle	18 qt.	17

Additional Standard Equipment:

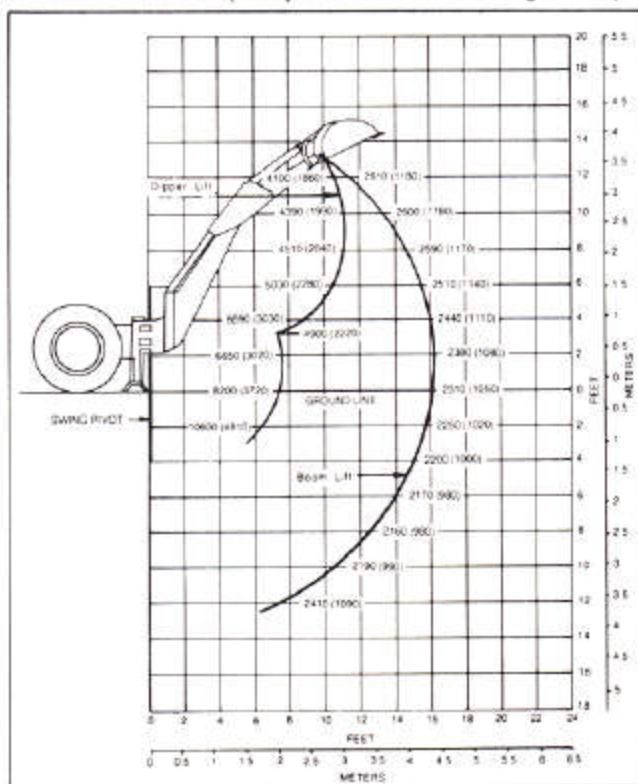
Air precleaner	Lights:
Air cleaner, dry type w/safety element	Halogen driving lights
Alternator, 35 amp w/transistorized voltage regulator	Halogen work lights
Antifreeze to -34°F (-37°C)	Turn signal lights
Backhoe transport lock	Tail and brake lights
Cast-in-counterweight front axle	Flashing hazard lights
Differential lock, foot-engaged collar	Loader bucket automatic hydraulic self-leveling
Electric automatic destroke for hydraulic pump	Loader bucket level indicator
Electric combination tachometer/hourmeter	Muffler, underhood w/vertical exhaust
Electric shutoff on diesel injection pump	Multiple-fuse protected electrical system
Emergency/parking brake	Oil-to-air cooler for hydraulic system and transaxle
Engine sideshields w/built-in locks	Oil-to-air cooler for torque converter and reverser
Foot and hand throttles	Operator's platform floor mat
Fuel tank contaminant sump w/easy access drain	Operator's canopy or cab headliner
Gauges for:	Pushbutton start switch
Engine coolant temperature	Rear fenders
Fuel tank level	Rear reflectors
Hydraulic/transmission oil temperature	Restriction indicator for engine air cleaner
Horn	ROPS/FOPS with roof and seat belt
Hydraulic lockouts for stabilizer — raise and lower	Steps and handholds
Indicator lights:	Tinted tempered safety glass windows
Alternator	
Engine oil pressure	
Parking brake	
Turn signals	

SAE Operating Weight 16,300 lb. (7400 kg)

610B BACKHOE LOADER LIFTING CAPACITIES

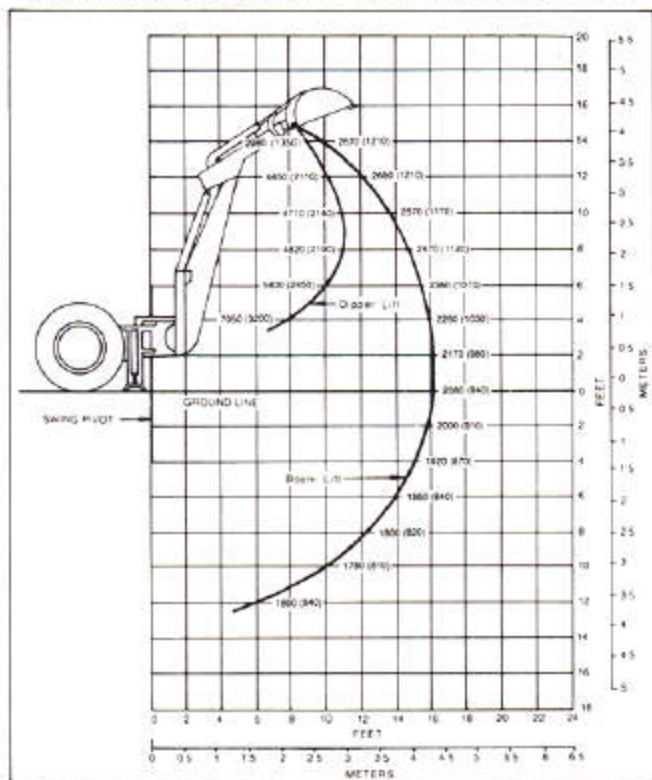
Lifting Capacities: Ratings made from bucket hinge pin, loader bucket and stabilizers on firm, level ground. Lifting capacities are 87 percent of the maximum lift over any point on the swing arc and do not exceed 75 percent of the tipping load. Angle between boom and ground at 65 degrees. Machine equipped with 24-in. (610 mm) trenching bucket, standard or optional dipperstick (as indicated below) and standard equipment.

Lift Capacity
Backhoe with standard dipperstick.
 Based on SAE J31 (except w/loader bucket on ground*).



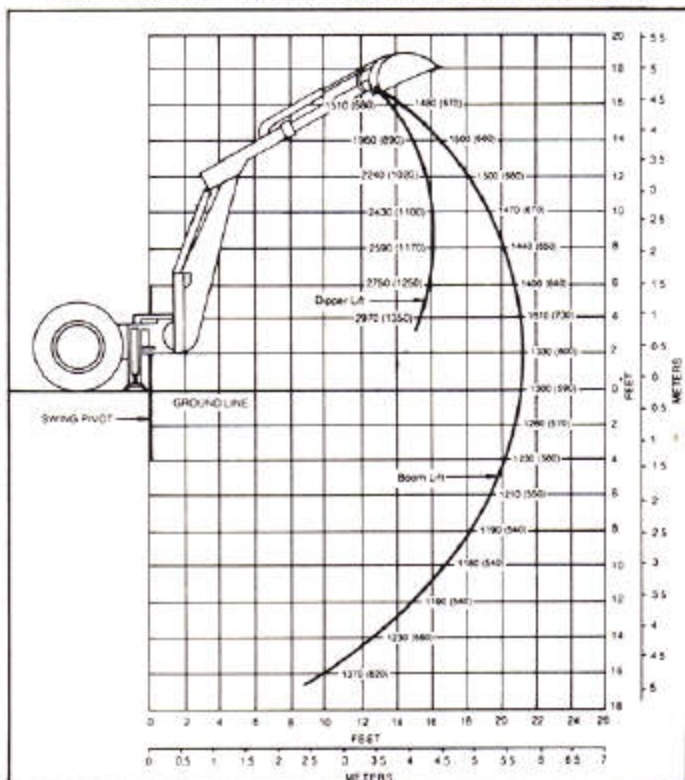
Rated lift capacities are in lb. (kg)
 Lift capacities are hydraulically limited.

Lift Capacity
Backhoe with extendable dipperstick, retracted.
 Based on SAE J31 (except w/loader bucket on ground*).



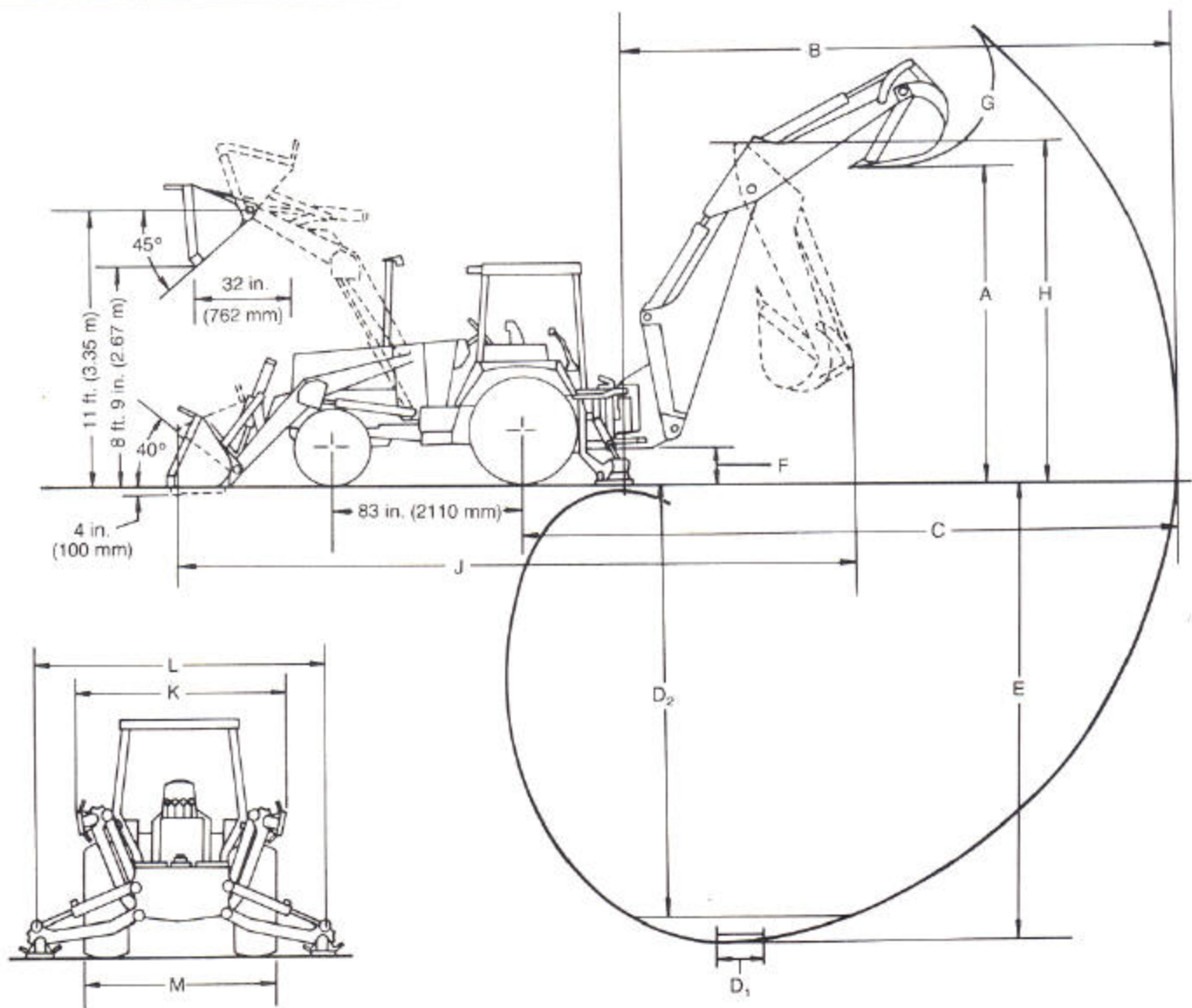
Rated lift capacities are in lb. (kg)
 Lift capacities are hydraulically limited.

Lift Capacity
Backhoe with extendable dipperstick, extended.
 Based on SAE J31 (except w/loader bucket on ground*).



Rated lift capacities are in lb. (kg)
 Lift capacities are hydraulically limited.

*Loader bucket on ground significantly improves side stability, therefore improving lift capacity to the side. Lift capacity over the rear is not affected.



Key:

	Backhoe*
A. Loading height, truck loading position	13 ft. 7 in. (4.14 m)
B. Reach from center of swing mast	19 ft. 9 in. (6.02 m)
C. Reach from center of rear axle	23 ft. 7 in. (7.19 m)
D. Digging depth (SAE):	
(1) 2-ft. (610 mm) flat bottom	16 ft. 1 in. (4.90 m)
(2) 8-ft. (2440 mm) flat bottom	15 ft. 1 in. (4.60 m)
E. Maximum digging depth	16 ft. 2 in. (4.93 m)
F. Ground clearance, minimum	15 in. (381 mm)
G. Bucket rotation	123, 127/155 degrees
H. Transport height	12 ft. 2 in. (3.71 m)
J. Overall length, transport	23 ft. 3 in. (7.1 m)
K. Stabilizer width—transport	7 ft. 8 in. (2.34 m)
L. Stabilizer spread—operating	9 ft. 10 in. (3 m)
M. Overall width (less loader bucket)	92.1 in. (2340 mm)

Extendable Dipperstick

	Retracted	Extended
A. Loading height, truck loading position	13 ft. 0 in. (3.96 m)	16 ft. 11 in. (5.15 m)
B. Reach from center of swing mast	19 ft. 0 in. (5.80 m)	24 ft. 0 in. (7.30 m)
C. Reach from center of rear axle	22 ft. 11 in. (7.0 m)	27 ft. 11 in. (8.5 m)
D. Digging depth (SAE):		
(1) 2-ft. (610 mm) flat bottom	15 ft. 6 in. (4.73 m)	20 ft. 8 in. (6.30 m)
(2) 8-ft. (2440 mm) flat bottom	14 ft. 5 in. (4.40 m)	19 ft. 9 in. (6.02 m)
E. Maximum digging depth	15 ft. 5 in. (4.70 m)	20 ft. 7 in. (6.27 m)
F. Ground clearance, minimum	15 in. (381 mm)	15 in. (381 mm)
G. Bucket rotation	123, 127/155 degrees	123, 127/155 degrees
H. Transport height	12 ft. 2 in. (3.71 m)	12 ft. 2 in. (3.71 m)
J. Overall length, transport	23 ft. 3 in. (7.1 m)	23 ft. 3 in. (7.1 m)
K. Stabilizer width—transport	7 ft. 8 in. (2.34 m)	7 ft. 8 in. (2.34 m)
L. Stabilizer spread—operating	9 ft. 10 in. (3 m)	9 ft. 10 in. (3 m)
M. Overall width (less loader bucket)	92.1 in. (2340 mm)	92.1 in. (2340 mm)
Digging force, bucket cylinder (power dig position)	9800 lb. (43.6 kN) (4445 kg)	9800 lb. (43.6 kN) (4445 kg)
Digging force, crowd cylinder	7050 lb. (31.4 kN) (3200 kg)	4935 lb. (22 kN) (2238 kg)
Swing arc	180 degrees	180 degrees
Operator control	Two levers	Right foot treadle
Bucket positions	12 or 20 deg. rollback/ 6 deg. forward	12 or 20 deg. rollback/ 6 deg. forward
Stabilizer angle rearward	13 degrees	13 degrees
Lifting capacity, maximum boom @65°	4700 lb. (2130 kg)	5410 lb. (2460 kg)

*Note: Backhoe specifications are with 24-in. (610 mm) 8.8 cu. ft. (.25 m³) bucket. With 24-in. (610 mm) standard-duty bucket, the digging forces increase and the depth and reach decrease.

610B BACKHOE LOADER

LOADER:

Operator control	Single lever
Rollback at ground level	40 degrees
Breakout force	9200 lb. (41 kN) (4173 kg)
Digging depth below ground, bucket level	4 in. (100 mm)
Lifting capacity, full height	6180 (2810 kg)
Height to bucket hinge pin, max.	11 ft. (3.35 m)
Bucket dump angle, max.	45 degrees
Dump clearance, bucket @ 45 degrees	8 ft. 9 in. (2.67m)
Reach at full height, bucket @ 45 degrees	30 in. (762 mm)
Raising time to full height	4.5 sec.
Bucket dump time	1.0 sec.
Bucket lowering time (power down)	3.0 sec.

Optional or Special Equipment:

Altitude-compensating engine turbocharger
Automatic return-to-dig
Backup alarm
Cab pressurizer
Cab with:
51-amp alternator
Fabric-covered swivel seat, suspension or non-suspension
Front defroster fan
Front and rear wipers
Integral ROPS/FOPS
Standard heater — 19,000 Btu (5.6 kW)
Cold-weather starting aid, remote mounted
Economy seat, vinyl covered, suspension or rigid mounted
Engine coolant heater
Extendable dipperstick for backhoe
Fire extinguisher
Front counterweight
Heavy-duty batteries
Instrument panel vandal cover
Mechanical front-wheel drive
Rear defroster fan
Rear-view mirror, inside mounted, curved, heavy-duty
Rear wheel spacers for tire chain clearance
Reversible stabilizer pads
Ripper tooth for backhoe, 24 in. (610 mm)
Rotating beacon light
Swivel seat, vinyl covered, suspension or non-suspension
SMV emblem
3-in. (76 mm) seat belt
Three- or four-lever, pedal-swing backhoe controls
Toolbox

Loader:	Width		BUCKETS Heaped Capacity		Struck Capacity	
	In.	(mm)	Cu. Yd. (m ³)	Cu. Ft. (m ³)	Cu. Ft. (m ³)	
General purpose	92	(2340)	1.25	(1.00)		
Long lip	89.4	(2270)	1.25	(1.00)		
Backhoe:						
Standard-duty	12	(305)	3.0	(0.08)	2.6	(0.07)
	16	(406)	4.5	(0.13)	3.7	(0.10)
	18	(457)	5.1	(0.14)	4.2	(0.12)
	24	(610)	7.5	(0.21)	5.9	(0.17)
	24	(610)	8.8	(0.25)	7.2	(0.20)
	30	(762)	10.0	(0.28)	7.5	(0.21)
	36	(914)	10.0	(0.28)	7.5	(0.21)
	36	(914)	14.5	(0.41)	11.2	(0.32)
Heavy-duty	18	(457)	5.1	(0.14)	4.2	(0.12)
	24	(610)	7.5	(0.21)	5.9	(0.17)
	30	(762)	10.0	(0.28)	7.5	(0.21)
Ejector	24	(610)	5.7	(0.16)	4.6	(0.13)

Additional Available Equipment:*

Auxiliary bolt-on cutting edge for loader buckets
Auxiliary fuel tank
Auxiliary hydraulic valves and circuit for loader and backhoe
Backhoe lift eye
Bolt-on teeth for loader bucket
Deluxe heater w/fresh air intake — 40,000 Btu (11.7 kW)
Air conditioning, 24,500 Btu (7.2 kW)
Front windshield and door kit
Grille guard
Lateral slides for operator's seat
Loader bucket chain hooks, outer
Longer dippersticks
Light materials/snow loader buckets
Multipurpose loader buckets
1½ cu. yd. (1.15 m ³) bucket
Radio or radio cassette

*See your John Deere dealer for further information.

Extendable Dipperstick

