

720/720A/726A

CHAMPION® **Series IV** **MOTOR GRADERS**



MODEL	720	720A	726A
Configuration	Rigid Frame	Articulated	All Wheel Drive
Operating Weight*	35,490 lbs/16 098 kg	35,490 lbs/16 098 kg	35,900 lbs/16 284 kg
Net HP/kW	153/114	153/114	153/114

* Typically equipped; see specifications for details. Model shown may include optional equipment



What it takes to be a Champion

There's a fine line between a good grader and a great one. With the

development of Series IV graders,

Champion is crossing that line to be "the best on earth" for every job your grader has to do.

Champion's "voice of the customer" program led directly to many of the operator features introduced in Series IV.

When it comes to cutting new roads and pushing heavy loads,

Champion has been the world's number one specialist for a long time.

Now, with Series IV, Champion moves up to first choice for fine grading, too, with a wide-ranging list of new features to enhance productivity.

And Series IV also brings you a new standard in reliability engineering so, at the end of the day, you get the job done at a lower cost.

Series IV graders were designed by grader people – we put our engineers into the cab with some of the best

Series IV is built on Champion's full perimeter frame – a stable base for fine grading and a first user, lifetime frame warranty!





CIRCLE DRIVE

Champion's patented dual cylinder circle drive system uses direct-acting hydraulic power for exceptional turning and holding capability under full load. Circle drive system is fully protected against impact damage by an overload cushion valve as standard equipment.

Hydraulic drive cylinders	2
Points of leverage	2
Rotation	360° continuous



DRAWBAR

Fully welded box section. Narrow 'T' design permits optimum visibility to the work area. Drawbar connection provides an adjustment to compensate for different tire sizes. Blade lift cylinder anchors are straddle-mounted on drawbar to provide maximum strength and support.

Dimensions of box section	6.5" x 6.5"
	(165 mm x 165 mm)
Plate thickness	1.0" & 0.75"
	(25 mm & 19 mm)



MOLDBOARD

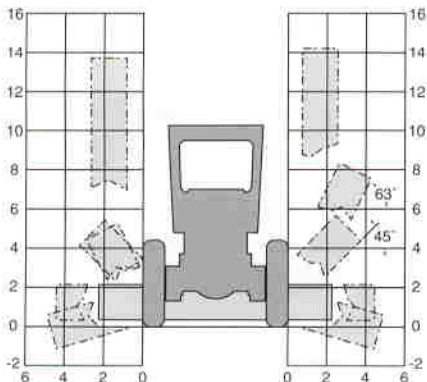
Standard moldboard with replaceable end bits 12" x 25" x 7/8" (3 658 mm x 635 mm x 22 mm)
Blade material SAE 1050 high carbon steel
Edge: through hardened 5/8" x 6" boron steel
Drilling - Bolt diameter 6" drilling - 5/8" bolts
Slide rails supported with DURAMIDE bearings.

BLADE RANGE: FIXED POINT LIFT SYSTEM (Standard)

Reach outside tires - straight frame	75.0"	1 905 mm
Reach outside tires - articulated frame	116.0"	2 946 mm
Blade slide	53.5"	1 359 mm
Circle side shift	20.0"	508 mm
Blade ground clearance	17.25"	438 mm
Blade cutting depth	25.0"	635 mm
Blade tilt range	44° forward; 6.5° back	
Number of moldboard tilt cylinders	2	
Bank sloping angle	90°	

BLADE RANGE: MOVEABLE BLADE CONTROL SYSTEM (Optional)

	LEFT	RIGHT
Reach outside tires - straight frame	76.0" 1 930 mm	73.5" 1 867 mm
Reach outside tires - articulated frame	117.0" 2 973 mm	113.0" 2 870 mm
Blade slide	26.5" 673 mm	26.5" 673 mm
Circle side shift	26.0" 660 mm	24.0" 610 mm
Maximum bank sloping angle	90°	90°



Blade ground clearance.....	17.0"	432 mm
Blade cutting depth	30.0"	762 mm
Blade tilt range.....	44° forward	6.5° back



CAB & CONTROLS

Operator noise exposure is limited to 82 dB(A) per SAE J919 JUNE 86 (enclosed cab). Located in the pedestal head is the engine oil pressure, coolant temperature and fuel level gauges and a three-level electronic monitoring system. Pedestal located switches include: differential lock/unlock, independent moldboard floats (optional) and combination turn signal, hazard lights, and high beam headlight switch. Heater and wiper/washer controls, lighting and accessory switches are grouped in the operator's right hand console. This console also contains the ignition key and access to the circuit breaker panel. An accelerator/decelerator foot pedal and slider type hand throttle are standard equipment. Cab door opening and closing is easy from either a seated position or while entering and exiting. Fixed front window enhances visibility by reducing window frame width.

Full Height Cab with ROPS INSIDE DIMENSIONS:

Height	74.0"	1 880 mm
Width @ controls	56.0"	1 422 mm
Depth @ controls	55.5"	1 410 mm

An optional Low Profile Cab is available with an inside height of 62" (1 575 mm). All Champion cabs and canopies are designed to meet or exceed SAE J1040 APR. 88, ISO 3471/1-1986(E), and 86/295/EEC ROPS requirements. The seat belt is 3" (76 mm) wide and meets SAE J386 JUNE 93; ISO 6683-1981(E). A cushioned vinyl covered bucket seat with fore & aft and height adjustment is standard.



LOAD SENSING HYDRAULICS

Closed center hydraulic system senses load requirements and maintains system pressure 250 psi (17.25 Bar) above the load.

When hydraulic pressure is not required, system pressure is only 90 psi (6.2 Bar). Low standby pressure improves fuel-efficiency and reduces heat generation.

System incorporates lock valves to prevent cylinder drift under load in the following circuits: blade lift, moldboard tilt, circle shift, wheel lean, articulation and scarifier. All hoses and fittings are equipped with 'O' ring face seals to eliminate leaks.

Pump design features include cast iron end covers and center housing, and a one-piece gear and shaft assembly to ensure reliability and a service life exceeding that of most piston pumps.

Maximum pressure	2,500 psi (172 Bar)
Output at 2200 RPM	0-50.5 gpm (0-191 lpm)
Filtration	7 micron spin-on type



CAPACITIES

	U.S. Gal.	Imp. Gal.	Litres
Fuel Tank	100.0	83.3	378.5
Transmission	10.2	8.5	38.8
Final drive	6.0	5.0	23.0
Tandems (ea.)	26.4	22.0	100.0
Hydraulic oil tank	23.8	19.8	90.0
AWD hydraulic oil (726A)	10.0	8.3	37.9
Coolant Antifreeze protection to -58° F (-50° C)	11.2	9.3	42.5
Engine oil	5.9	4.9	22.4

ALL WHEEL DRIVE - 726A

Completely independent from the main hydraulic system, Champion's All Wheel Drive system incorporates a variable displacement, load sensing

piston pump, and a separate reservoir, oil cooler and filter. This allows the system to operate continuously without overheating, and eliminates potential fluid cross-contamination. Champion's AWD design automatically adjusts hydraulic flow and pressure to the drive system to match ground speed and tractive conditions. A positive on/off control allows the operator to concentrate on the task at hand, rather than trying to find the 'correct' AWD setting. No electronics or wheel speed sensors are used. The powered front axle has two variable displacement piston motors with double reduction planetary torque hubs.

Maximum system pressure ..	3,500 psi	241 Bar
Stand-by pressure	175 psi	12 Bar
Filtration.....	7 micron	
Top speed	19.8 mph	31.8 km/h

STANDARD FEATURES:

- Operator controlled, lock/unlock differential final drive
- 4-wheel, cross-over, dual braking system with reserve power assist
- Ratchet-type park brake with operator warning alarm and indicator
- Fully-sequential, powershift 8400 transmission, with guard
- 13.5" diameter, 4-plate, full oil clutch for operator control
- Choice of rigid or articulating frames
- Full front and rear frame sections designed to absorb shock loading of attachment use
- First user lifetime frame warranty
- Cushion valve circle drive protection to minimize impact damage
- Hardened circle teeth cut on outside of circle for maximum wear resistance
- Isolation-mounted cab, transmission and engine for reduced noise and vibration
- Adjustable steering pedestal with tilt head for maximum operator comfort
- Gauges include: coolant temperature, engine oil pressure, fuel, hourmeter, dash-mounted air cleaner service indicator, articulation angle indicator, three-level electronic monitoring system - M4 - with visual and audible warnings
- Load-sensing, closed-center hydraulic system with short-throw, low effort control levers, positioned in the industry-accepted arrangement. Hydraulically operated blade lift, circle turn, moldboard slide and tilt, circle shift and wheel lean functions.
- 100 gallon fuel capacity
- Horn
- Hinged radiator guard for easy trash clean out. Engine compartment fan guard included.
- Back-up alarm with automatic volume level
- Painted Champion Yellow
- Lockable tool box with storage space for scarifier shanks

OPTIONAL EQUIPMENT (May vary)

	lbs.	kg
Accumulators - blade lift	130	59
- circle side shift	65	29
Air conditioner - 21,500 BTU - HFC-134a (non-CFC refrigerant) with cab pressurizer/filter	130	59
Battery warmer	5	2
Brush guards	40	18
Cab		
- canopy shell with ROPS - deduct	(200)	(91)
- low profile cab with ROPS - deduct	(200)	(91)
Cab heater - 49,000 BTU	30	14
Cab pressurizer/filter	14	6
Defroster fan	3	1

720 720A 726A

SPECIFICATIONS:



**OPERATING WEIGHT
(Standard Equipment)**

Weights shown include full cab with ROPS, all operating fluids and operator.

720/720A

Total	32,230 lbs.	14 620 kg
On front wheels	9,560 lbs.	4 336 kg
On rear wheels	22,670 lbs.	10 283 kg

726A

Total	32,640 lbs.	14 806 kg
On front wheels	9,800 lbs.	4 445 kg
On rear wheels	22,840 lbs.	10 360 kg

Weight adjustments for various options are listed. Operating weight, typically equipped with 14.00 x 24, 12 pr., G2 tires on 10" (254 mm) rims, and 14" x 29" x 1" (4 267 mm x 737 mm x 25 mm) moldboard and Moveable Blade Control System.

720/720A

with Scarifier	35,490 lbs.	16 098 kg
with rear-mounted Ripper-Scarifier and front-mounted Push Block	36,740 lbs.	16 665 kg

726A

with Scarifier	35,900 lbs.	16 284 kg
with rear-mounted Ripper-Scarifier and front-mounted Push Block	37,150 lbs.	16 851 kg



**PRODUCTIVITIES
(Standard Equipment)**

720/720A

Maximum blade pull (no wheel slip)	20,403 lbs.	9 255 kg
Blade down pressure - cutting capability (ISO 7134)	16,626 lbs.	7 542 kg
- compaction capability	17,251 lbs.	7 825 kg

726A

Maximum blade pull (no wheel slip)	28,229 lbs.	12 805 kg
Blade down pressure - cutting capability (ISO 7134)	17,043 lbs.	7 731 kg
- compaction capability	17,684 lbs.	8 021 kg

Blade down pressure is the maximum downward force which may be applied at the cutting edge.



ENGINE DATA

Make/Model	Cummins 6CT8.3
Type	4 Cycle, Turbocharged
No. of cylinders	In Line 6
Bore & stroke	4.49 x 5.32 in. (114 x 135 mm)
Displacement	504.5 cu. in. (8.27 L)
Rated gross brake horsepower @ 2200 RPM	173 HP (129 kW)
Rated net brake horsepower @ 2200 RPM	153 HP (114 kW)
Peak torque @ 1500 RPM	467 lb. ft. (633 Nm)

Engine equipped with a two stage, dual element, dry-type air cleaner with evacuator and dash-mounted service indicator. 24 volt starting and electrical system with 75 amp (1800 watt) brushless alternator with internal voltage regulator. Two heavy duty 12 volt maintenance-free batteries with 625 cold cranking amps (CCA) and 180 minutes reserve capacity per battery. 900 CCA batteries available optionally. System includes battery disconnect.

Performance: Rated net brake horsepower SAE standard J1349/ISO 3046-2 conditions with water pump, lubricating oil pump, fuel system, air cleaner, muffler, alternator, and cooling fan.



TRANSMISSION

Make/Model Champion 8400
Fully sequential, direct drive, powershift transmission. Engine can not be started if transmission is in gear. Transmission controller contains an electronic self-diagnostic feature. The flywheel-mounted, multi-disc master clutch is oil-cooled for long life.

Ground speeds at 2200 RPM with standard tires:

Forward			Reverse		
Gears	mph	km/h	Gears	mph	km/h
1	2.7	4.3	1	2.7	4.3
2	3.7	6.0			
3	5.2	8.4	2	5.2	8.4
4	7.2	11.6			
5	10.2	16.4	3	10.2	16.4
6	14.3	23.0			
7	19.8	31.9	4	19.8	31.9
8	27.6	44.4			

Transmission guard is standard equipment and is hinged for easy access.



DIFFERENTIAL / FINAL DRIVE

Make/Model Champion SR30
Single reduction final drive with an operator controlled lock/unlock differential. Rear axles are case hardened, full floating design, supported on double row spherical roller bearings.



TANDEM

Oil-tight, oscillating tandem case has internal gusseting for maximum torsional strength. Field proven split ring/flanged sleeve tandem mounting and 1" thick inner wall resists flexing from side loading during severe applications. Drive chain sized for long life.

Depth	24.5"	622 mm
Width	8.25"	210 mm
Thickness - inner wall	1.0"	25 mm
- outer wall	0.75"	19 mm
Center distance	61.5"	1 562 mm
Drive chain pitch	2.0"	51 mm
Oscillation		±15°



BRAKES

Service Brakes: Foot Operated
Fade resistant, hydraulically actuated, oil disc service brakes located at the four (4) tandem drive wheels are self-adjusting, fully sealed and maintenance-free. System features cross-over dual braking circuits for even braking on both sides of the grader. Includes reserve power assist and operator warning system (visual and audible).

Parking Brake: Hand Operated
Independent, disc-type hand brake on transmission output shaft and effective on all four (4) tandem drive wheels. Includes visual and audible operator warning system for parking brake on, transmission in gear condition.

Braking systems to:
SAE Recommended Practice J1473 OCT. 90, and J1152 APR. 80; ISO 3450-1993-01-28. Champion uses asbestos-free brake components.



**WHEELS & TIRES
(Standard Equipment)**

Tire size	14.00 x 24, G-2
Ply rating (pr.)	12
Rim size	8.0" 203 mm

Bolt-on rims are interchangeable front and rear on 720 and 720A models.



FRONT AXLE

Type Fully welded steel truss, gusseted for torsional strength oscillates on a single 3.5" (89 mm) diameter centre pivot pin
Wheel lean - 720/720A 18° R & L
- 726A 15° R & L
Oscillation 16° up and down
Ground clearance 24.0" (610 mm)
A single 4" (102 mm) diameter wheel lean cylinder with lock valve is standard equipment on 720 and 720A. Two 3" (76 mm) diameter wheel lean cylinders and lock valve are available optionally, and are standard on the 726A.



STEERING

Hydraulic power front wheel steering incorporating two steering cylinders. Meets SAE J1151 OCT. 90.

Minimum turning radius using front axle steering, wheel lean and unlocked differential:

720 conventional or straight frame	35'0"
	(10 668 mm)
720A/726A articulated frame	25'6"
	(7 772 mm)
Steering arc	72°
Frame articulation angle 720A/726A	22°
Articulation lock standard.	



FRAME

Full front and rear frame sections. First user life-time frame warranty.

Front: Fully welded box section. Double-lapped in high load areas. Lowered nose plate on front frame provides the best visibility in the industry to the front of the grader.

Minimum dimensions of box section 10.0' x 12.0'
(254 mm x 305 mm)

Plate thickness 0.5" (13 mm)
Vertical section modulus at arch 141 cu.in. (2 311 cm³)
Linear weight - average 133 lbs/ft (198 kg/m)

Rear: Full rear frame permits modular powertrain mounting for ease of service and simplifies attachment mounting.

Minimum dimensions of rear frame 4.0' x 10.0'
(102 mm x 254 mm)
Plate thickness 0.5" (13 mm)

Choice of conventional (rigid) or articulated frames:
720 Conventional
720A/726A Articulates behind cab.

Twain 5" (127 mm) hydraulic cylinders articulate frame 22° right and left.
Anti-drift lock valve ensures stable operation.



CIRCLE

Hardened teeth, cut on outside of circle for maximum leverage and minimum wear. Circle is machined after welding to ensure flatness. The circle is held positively in place at six points by three adjustable clamp plates and three adjustable guide shoes providing optimum circle support and load distribution. The primary set of clamps and guide shoes is located at the front of the circle where greatest loading occurs. DURAMIDE-faced clamp and guide shoes prevent metal to metal contact. DURAMIDE is a synthetic material that extends service life and reduces maintenance requirements.

Diameter	66.25" 1 683 mm
Thickness	1.25" 32 mm
Adjustable guide shoes	3
Adjustable clamp plates	3

Give the job to a Champion

Series IV graders not only do more to work with you ... they're equipped to do more jobs for you.

With their all-new closed center load-sensing hydraulics, Series IV graders achieve a new level of precision and responsiveness for fine grading control. The system senses the load requirement of the hydraulic functions, including steering, and maintains the system pressure 250 psi (17,25 Bar) above the load.

The main hydraulic/steering pump is a load-sensing gear-type pump chosen for extended service life and low replacement cost. Gear type pumps are more tolerant of fluid contamination, perform better in cold weather, and are easier to service than piston pump designs.

When hydraulic power is not required, standby pressure is held at just 90 psi (6,2 Bar), to improve fuel-efficiency and reduce heat. Valve spool metering ensures precise blade control, while the variable flow pump maintains consistent hydraulic speed at all engine RPMs and in multiple function operations.

Series IV also introduces a new optional Moveable Blade Control System providing the best blade mobility in the business. Its 7 positions provide extended reach for ditch cutting, bank sloping and shoulder work.

The blade lift arms have been sculptured to provide the best visibility to the work area.



Foot-pedal operated full-oil clutch provides superior "inching" capability and precise control in tight working conditions.

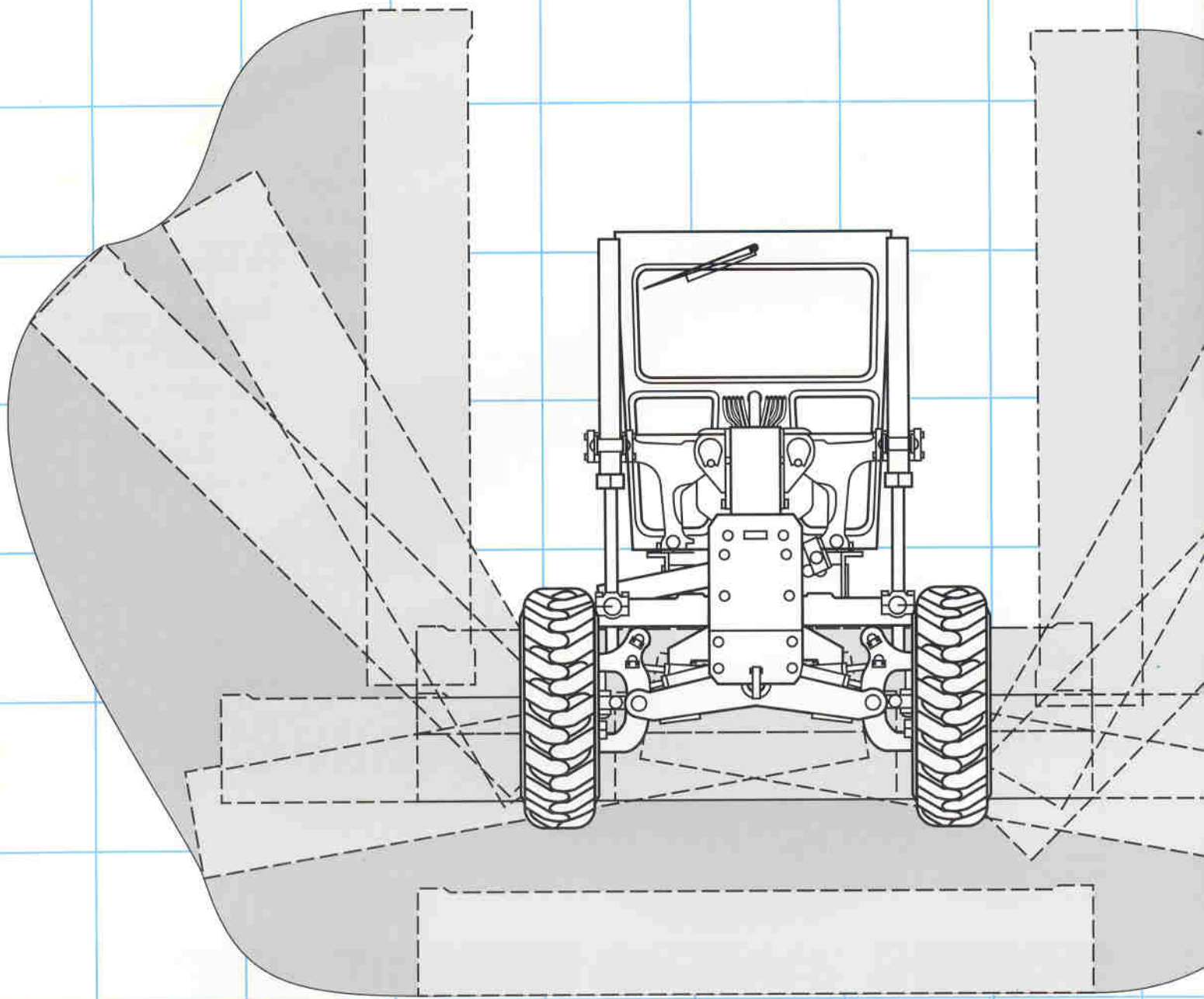
The operator can set up 2:1 bank sloping and a 90° blade position to the left and right without leaving the cab!

The blade lift system geometry features parallel lift cylinders with the widest stance in the industry. This wide positioning minimizes end-to-end blade interaction. The side shift cylinder is designed to operate closer to horizontal than with any other lift system; the operator can maintain grade more easily when adjusting both blade lift cylinders. The total system provides maximum stability in both heavy grading and high speed road maintenance, plus precise control for fine grading applications.



With its 72° front axle steering arc, Series IV moves in comfortably to confined work areas. The tight turning radius means faster finishing in cul-de-sacs and less following-up in the corners.

A long blade base maintains maximum blade down pressure – the grader can cut more material in each pass to achieve higher productivity while retaining steering control.



M.B.C.S.
MOVEABLE BLADE CONTROL SYSTEM
(OPTIONAL)

Standard cab is 6'2" (1 880 mm) tall inside; Low Profile Cab (shown) reduces height of grader by 12" (305 mm).

Wide padded arm rests for operator comfort (on optional suspension seat).

Tilt-head pedestal with pedal-controlled fore & aft movement.

Short-throw, low-effort control levers in industry-accepted spacing and sequencing.

Moveable Blade Control System optional; fixed point high-lift standard.

Double-lapped frame in high stress areas.

Nose profile permits exceptional visibility, especially when fine grading through curves.

CHAMPION

Heavy duty drawbar with long blade base for maximum blade down pressure.



Boron steel cutting edges; top slide rail minimizes free play for improved fine grade control.



M4 electronic console alerts operator to machine status; backlit switches, 3-level layout.



Rugged design of the standard fixed-point blade lift system provides fewer moving components for low maintenance.



Patented dual-cylinder circle drive uses direct-acting hydraulics for exceptional turning and holding power under full load. DURAMIDE™ faced clamp plates and guide shoes prevent metal-to-metal contact; longer service life and less maintenance than metallic systems.

Series IV: 720/720A/726A

Reliable 24V starting and electrical system with 75 amp brushless alternator.

Separate reservoirs for transmission fluid, final drive lubricant and hydraulic fluid eliminate cross-contamination between systems.

Easy access to filters, circuit breakers and routine inspection areas.

Hinged radiator shroud for easy clean-out.

Closed center load-sensing hydraulic system for consistent response regardless of engine speed or functions engaged.

Large toolbox can also store scarifier shanks.

Standard Differential/Final Drive produces maximum traction when locked, reduced tire wear and increased maneuverability when unlocked; cab-operated lock/unlock.

4 outboard oil disc brakes with crossover dual circuits for even braking effort and added safety; reserve capacity provided for emergency braking.

Transmission guard enclosed at rear to prevent filling; keeps out dirt when running in reverse.



Job-matched dependable Cummins diesel power offers superior fuel efficiency as the engine's peak torque is matched to transmission shift points.



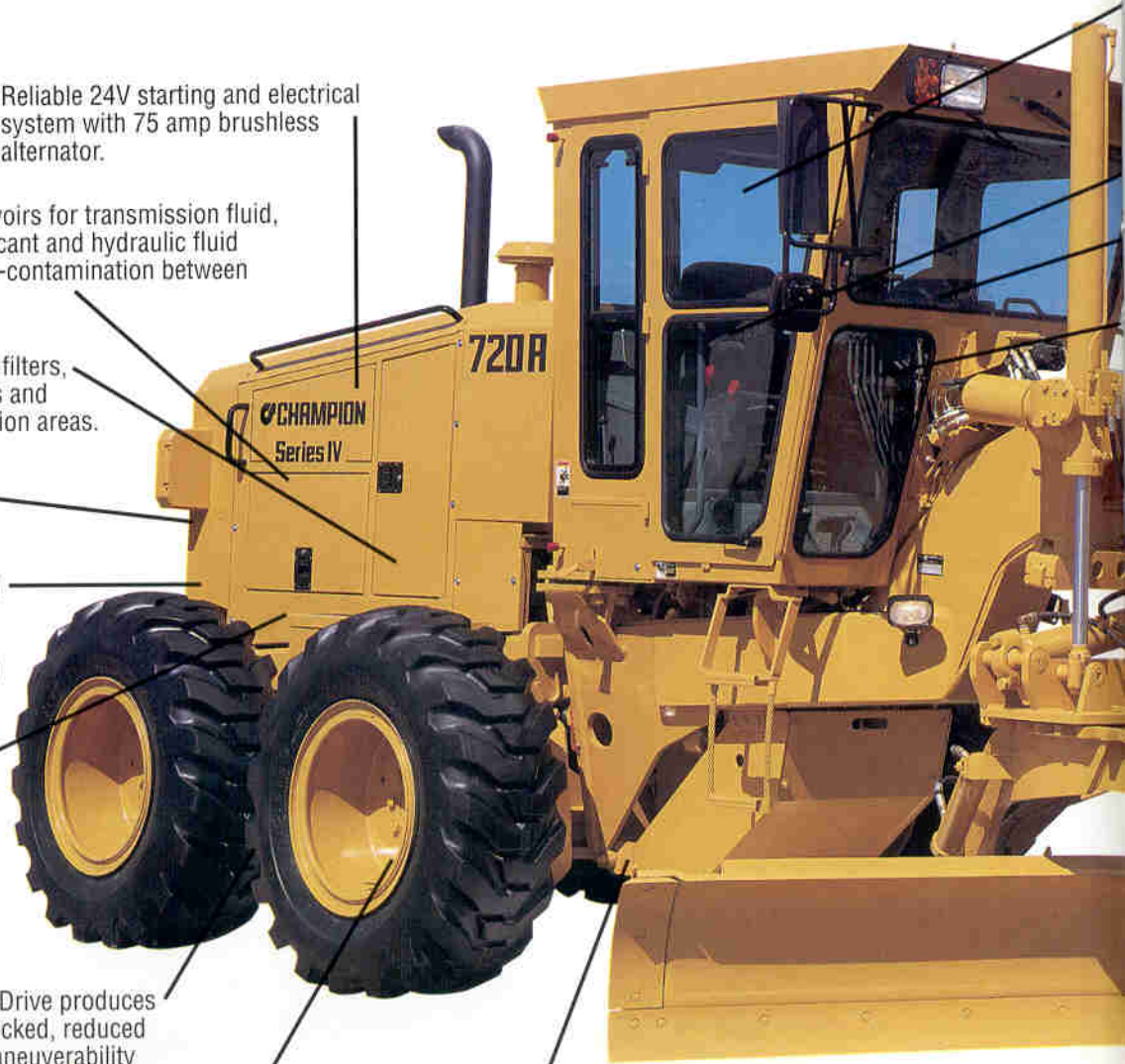
Champion's exclusive 8400 grader transmission is now in service in more than 10,000 units. Evenly proportioned gear ratios provide precise, job-matched speeds for any grading application. A new "Smart Shift" feature lets the operator easily customize shift patterns to the job at hand.



Champion's AWD is the simplest in the industry – minimal maintenance demands and easy to use. The flow divider ensures correct distribution of power flow to the front wheels during turns and under low traction conditions.



Lift system provides widest lift cylinder stance of any grader for maximum stability and reduced end-to-end blade interaction, resulting in better fine grade control.





Looking out for "Number One"

That means you, because the most important part of a grader is the operator who drives it.



When you get into the cab of a Series IV grader, you'll see how every part is engineered to help the operator with the job. The roomy both-feet-on-the-floor layout, adjustable seat and pedal-controlled tilting pedestal let you fit the grader to your personal taste for a comfortable working position.

Make yourself comfortable! Set your feet down, adjust the seat, slide and tilt the pedestal any which-way – all your controls and gauges move with you.

The low-effort clutch and brake pedals and short-throw levers give Series IV a light touch for easy handling and fine precision. The new front window frame, blade lift mounting and front axle all align for an unobstructed line of sight to the work area. The distinctive sloped frame and ergonomic cab design combine for excellent 360° visibility close-in to the cab and wheels. All your operating gauges are up front in clear view, right on the pedestal. From your seat you can see everything you need to do the job – from the controls to the grade stakes, to both ends of the blade, straight ahead and in the curves.

This Champion is built to work as long and hard as you do. Series IV comfort features help an operator get through a full day's grading without tiring. We kept all the hydraulic hoses outside of the cab, so you don't have to worry about leaks or excess heat and noise on the inside.

No matter what grader you have run before, you'll feel at home with the new Series IV lever arrangement and low-effort controls.

The cab's instrumentation is arranged in a logical sequence including the 3-level M4 electronic monitoring system and the side console where your switches are arranged in proper operating order. Everything is backlit for late work.

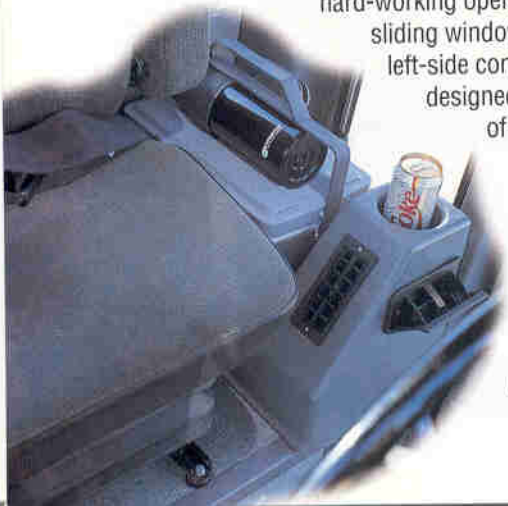


With a busy season ahead of you, little extras can make a big difference. That's why

Champion engineers went to work on a package of thoughtful options for hard-working operators...things like a coat hook in the cab and sliding windows to catch a fresh breeze. We even created a new left-side convenience console, an exclusive Series IV option designed to help you bring some of the comforts of home to work with you.

The whole package makes Series IV a better place to work – a grader that reduces fatigue, speeds up duty cycles and does more for you for the money.

Series IV options include a new left-side console with operator conveniences including a lunch box cooler, vacuum bottle, ash tray and cup-holder.



operators in the business to compare ideas. We built Series IV together, with over 60 specific design recommendations.

For instance:

- a unique load-sensing hydraulic system for fine grading “featherability” and power to spare



- a clear line-of-sight to the work zone and every area you need to see
- a place to hang your hat
- a 72° steering angle on the front axle for tighter turns
- a choice of blade lift systems*
- a more comfortable place to work
- easier access for servicing
- a familiar “operator-friendly” cab layout

... not to mention the rock-solid construction that earned our Series III graders a place on the preferred list of private contractors and government fleets alike.

Series IV is getting the kind of support a great Champion deserves, too. Electronic parts ordering. Flexible financing options. Highly trained dealers and service staff. A warranty that says Series IV is built to live up to the name of Champion...

...the best on earth



Champion dealers are equipped to support customers with “the best service on earth”, including next-day delivery on emergency parts ordered by 5pm local time, anywhere in the continental United States or Canada.

*Not available on all models.

OPTIONAL EQUIPMENT (cont'd)	lbs.	kg		lbs.	kg		lbs.	kg
Engine block heater	3	1	Machine Monitor Plus package - M44			Reflectors - rear	-	-
Engine precleaner - Turbo II	6	3	Audible and visual warnings for transmission and hydraulic filter restriction, low engine oil pressure, high coolant temperature, high transmission temperature, and low transmission clutch pressure	-	-	Remote valve for attachments - 3 or 5 bank - remote mount	25	11
Engine side panels	50	23	Mirrors - outside - right	2	1	Second leaning wheel cylinder - right side (standard on 726A)	25	11
Ether cold start	10	4	- left	2	1	Supplemental steering (power assisted) meets SAE J53 OCT. 84	61	28
Exhaust rain cap	-	-	Moldboards			Suspension seat	55	25
Fan - blower type (suction type is standard)	-	-	- 14' x 25" x 7/8" (4 267 mm x 635 mm x 22 mm)	200	91	Tie-down brackets	100	45
Float control - Right and Left independent, electric	15	7	- 12' x 29" x 1" (3 658 mm x 737 mm x 25 mm)	300	136	Tires		
Hub odometer	-	-	- 13' x 29" x 1" (3 962 mm x 737 mm x 25 mm)	450	204	- 14.00 x 24, 12 pr., G2, 10"/254 mm rims	360	161
Hydraulic tank heater	3	1	- 14' x 29" x 1" (4 267 mm x 737 mm x 25 mm)	600	272	- 17.5 x 25, 12 pr., G2, 14"/356 mm rims	942	428
Jack - 20 ton/18.5 tonne	35	16	Moldboard extensions R & L - 2' (610 mm)	200	91	Tire chains - pair	300	136
Lights			Moldboard edges - Carbide 3/4" x 5"	-	-	Tool kit	-	-
- back-up lights - 2	-	-	Moveable Blade Control System	750	341	Transmission sump heater	-	-
- beacon (amber or blue)	4	2	Operator convenience package - lunch box, steel vacuum bottle and holder, ash tray	10	5	Tropical protection	-	-
- clearance lights front & rear	2	1	Paint - custom colors	-	-	Vandalism protection	8	4
- direction signals	-	-	Radiator shutters - hinged	10	4	Wheel weights front or rear - each	250	113
- front-mounted plow lights - 2 - high	120	54				Window - opening - lower front	-	-
- low	100	45				Window - opening sliders - left/right	-	-
- Headlights with dimmer switch	-	-				Wiper and washer - front	-	-
- Moldboard lights - 2	2	1				Wiper and washer - rear	-	-
- Rear flood lights - 2	2	1				Wiper and washer - lower front windows	-	-
- Snow wing lights - 2	2	1						



DIMENSIONS

A Overall length	27'10"	8 484 mm
B Overall width	8'4"	2 540 mm
C Overall height with cab	11'2"	3 404 mm
- with Low Profile Cab	10'2"	3 099 mm
D Wheelbase		
- 720	20'0"	6 096 mm
- 720A/726A	20'0"	6 096 mm
E Tread width	6'10"	2 083 mm
F Blade base		
- ISO 7134	8'6"	2 591 mm
- compaction	8'11"	2 718 mm

CHAMPION MATCHED ATTACHMENTS

A-Frame	850 lbs.	386 kg	Push block	700 lbs.	318 kg
Dozer blade			Ripper-scarifier, rear	2,100 lbs.	953 kg
- 8' (2 438 mm)	1,600 lbs.	726 kg	Scarifier, front, with 11 teeth	1,550 lbs.	703 kg
- 9' (2 743 mm)	1,650 lbs.	749 kg	Snow wing		
One-way plow	2,350 lbs.	1 067 kg	- front-mounted	2,900 lbs.	1 317 kg
			- rear-mounted	3,100 lbs.	1 407 kg

V plow		
- 9' (2 743 mm)	2,560 lbs.	1 161 kg
- 10' (3 048 mm)	2,720 lbs.	1 234 kg
Windrow eliminator	1,300 lbs.	590 kg

Specifications subject to change without notice. Some items included in this brochure are optional.
 *** DURAMIDE is a registered trademark of Champion Road Machinery Limited.
 Your safety and the safety of those around you depends on using care and judgement when operating and servicing your grader. Do not operate the grader until you read and understand the warnings and instructions in the operator's manual.



CANADA
 Goderich, Ont.

© 1994 Champion Road Machinery Limited