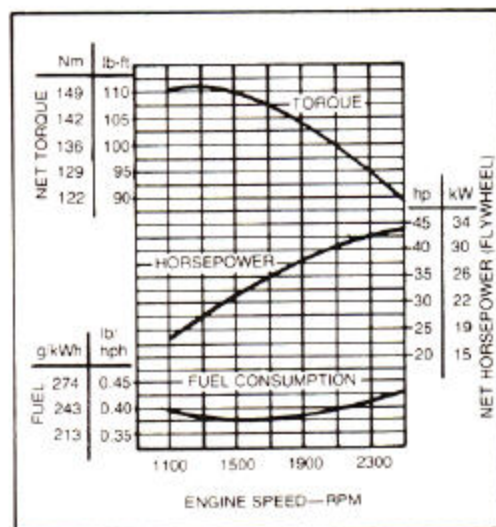




300B LOADER BACKHOE



ENGINE PERFORMANCE



FEATURES

- 43 SAE net hp (32.1 kW)
- Backhoe digging depth (ICED) 13 ft. 8 in. (4.17 m)
- 8-speed transmission w/hydraulic direction reverser
- Self-adjusting wet-disk brakes
- Inboard planetary final drives
- Foot-operated differential lock
- Power steering
- Choice of two loader buckets
- Choice of nine backhoe buckets
- 2-lever digging control
- Four-post roll-over protective structure (ROPS)

TED B. MILLER CO. INC.
Hwy 92 East
P.O. Box 460
Gering, Neb. 69341

300B LOADER BACKHOE SPECIFICATIONS

(Specifications and design subject to change without notice. Wherever applicable, specifications are in accordance with ICED and SAE Standards. Except where noted, these specifications are based on a unit equipped with 14.9-24, 6 PR, R4 rear tires; 11L-15, 8 PR, F-3 front tires; 3.4-cu.-yd. (0.57 m³) loader bucket, 24-in. (610 mm) standard backhoe bucket, full fuel tank, 175-lb. (79 kg) operator and standard equipment.)

Power (@ 2500 engine rpm):	SAE	DIN
Gross	46 hp (34.3 kW)	
Net	43 hp (32.1 kW)	45.7 hp (34 kW)

Net engine flywheel power is for an engine equipped with fan, air cleaner, water pump, lubricating oil pump, fuel pump, alternator, and muffler. Gross engine power is without fan. Flywheel power ratings are under SAE standard conditions of 500-ft. (150 m) and 85°F (29.5°C) temperature and DIN 70 020 standard conditions of 760 mm Hg barometer (sea level) and 20°C temperature.

Engine: John Deere 3-cylinder diesel, valve-in-head, 4-stroke cycle	
Bore and stroke	3.86×4.33 in. (98×110 mm)
Piston displacement	152 cu. in. (2.491 L)
Compression ratio	16.2 to 1
NACC or AMA (U.S. Tax) horsepower	17.88
Main bearings	4
Lubrication	Pressure system w/full-flow filter
Cooling	Pressurized w/thermostat and fixed bypass
Fan	Suction
Air cleaner	Dry
Electrical system	12-volt w/alternator
Batteries (two 12 volt)	Reserve capacity: 220 minutes
Alternator	35 amps

Engine Clutch Foot-operated, single 10-in. (254 mm) plate

Transmission:

Constant mesh; 8 speeds forward, 8 reverse. Standard hydraulic direction reverser permits no-clutch reversing in all gears.

Gear:	Travel Speeds			
	Forward		Reverse	
	mph	km/h	mph	km/h
1	1.3	2.1	1.6	2.6
2	1.9	3.1	2.2	3.5
3	2.9	4.7	3.3	5.3
4	4.0	6.4	4.7	7.6
5	5.3	8.5	6.2	10.0
6	7.6	12.2	8.8	14.2
7	11.2	18.0	13.0	20.9
8	15.7	25.3	18.3	29.4

Final Drives Inboard, planetary

Brakes Hydraulically actuated, fully enclosed wet-disk. Self-equalizing. Foot-operated individually or simultaneously.

Steering: Power, hydraulic assist

Turning radius (brake applied)	10 ft. 1 in. (3.10 m)
Loader clearance (brake applied)	29 ft. 6 in. (9 m)
Number of turns, far left to far right	3.3

Hydraulic System: Closed-center

Max. pressure	2320 psi (16 000 kPa) (163.1 kg/cm ²)
Loader control	Single-lever
Pump	Piston, constant pressure, variable-displacement, 28 gpm (1.76 L/s) @ 2500 engine rpm
Filter	25-micron steel-enclosed paper cartridge in return

Hydraulic Cylinders:	Bore	Stroke	Rod Diameter
Loader boom	2.75 in. (70 mm)	28.33 in. (720 mm)	1.5 in. (38 mm)
Loader bucket	2.5 in. (64 mm)	27.25 in. (692 mm)	1.5 in. (38 mm)
Backhoe boom	4 in. (102 mm)	32.38 in. (822 mm)	2 in. (51 mm)
Backhoe crowd	3.5 in. (89 mm)	31.85 in. (809 mm)	1.75 in. (44 mm)
Backhoe bucket	3 in. (76 mm)	26.5 in. (673 mm)	1.75 in. (44 mm)
Backhoe swing	3.5 in. (89 mm)	8.88 in. (226 mm)	1.75 in. (44 mm)
Stabilizer	3.5 in. (89 mm)	15.5 in. (394 mm)	1.75 in. (44 mm)
Cylinder rods	Ground, heat-treated, chrome-plated, polished		

Tires:	Front	Rear
	11L-15, 8 PR, F3, standard	14.9-24, 6 PR, R4, standard
	7.50/8.00-16, 10 PR, F3	14.9-24, 6 PR, R3
		17.5L-24, 8 PR, R4

Wheel Treads:

Front	62 in. (1.57 m)
Rear	60 in. (1.52 m)

Dimensions:

Height to top of hood	4 ft. 7 in. (1.40 m)
Overall width w/o bucket	6 ft. 3 in. (1.90 m)
Overall length	21 ft. 9 in. (6.60 m)
Ground clearance (under front axle)	1 ft. 5.25 in. (440 mm)
Ground clearance, min.	12 in. (305 mm)

Capacities:

	U.S.	Liters
Cooling system	3 gal.	11.4
Fuel tank	19.5 gal.	73.8
Engine lubrication, including filter	9 qt.	8.5
Transmission and hydraulic system	10 gal.	37.9
Loader hydraulic system	2.5 gal.	9.5
Backhoe hydraulic system	5 gal.	18.9

Additional Standard Equipment:

Air cleaner restriction indicator
 Alternator charge indicator light
 Antifreeze
 Bucket-level indicator
 Cigaret lighter
 Cold weather starting aid
 Cushioned seat
 Differential lock
 Fenders
 Foot throttle
 Fuel filter
 Fuel gauge
 Horn
 Key start switch
 Lights
 Oil pressure indicator light
 Tachometer/hourmeter
 Transistorized voltage regulator
 Vertical muffler w/rain cap
 Water temperature gauge

Optional or Special Equipment

Counterweights w/bracket (w/o 3-point hitch or remote cylinder)
 Deluxe seat
 Front-axle counterweights
 Front grille guard
 Parking brake
 Rear PTO (continuous "live" 540-rpm)
 Rear wheel weights
 Rockshaft w/ or w/o 3-point hitch, Category 1 or 2, w/telescoping, non-telescoping or short draft links
 ROPS w/canopy and seat belt
 Single remote hydraulic cylinder control w/quick-disconnect coupler
 Swinging drawbar
 3-in. (76 mm) seat belt

OPERATING INFORMATION

LOADER:

Rollback at ground level	20 deg.
Breakout force	5000 lb. (22.41 kN) (2270 kg)
Digging depth below ground level (with bucket level)	4 in. (100 mm)
Lifting capacity, full height	3300 lb. (1500 kg)
Height to bucket hinge pin	10 ft. 2 in. (3.10 m)
Maximum dump angle	45 deg.
Clearance, bucket dumped @ 45 degrees	8 ft. 2 in. (2.5 m)
Reach at maximum height, bucket dumped @ 45 degrees	2 ft. 4 in. (710 mm)
Raising time to full height	3.7 sec.
Bucket dump time	1.6 sec.
Lowering time (power)	2.0 sec.

BUCKETS

	Width		Struck Capacity		Nominal Heaped Capacity	
	In.	(mm)	Cu. Ft.	(m ³)	Cu. Yd.	(m ³)
Loader:	81.1	(2.06)			0.75	(0.57)
	81.1	(2.06)			1.0	(0.76)
Backhoe:	12	(305)	1.6	(0.05)		
	16	(406)	2.6	(0.07)		
	18	(457)	3.6	(0.10)		
	24	(610)	4.8	(0.14)		
	30	(762)	6.0	(0.17)		
	36	(914)	7.2	(0.20)		
Heavy-duty	18	(457)	3.6	(0.10)		
	24	(610)	4.8	(0.14)		
Cemetery special	36	(914)	7.2	(0.20)		

Attachments:

Ripper tooth replaces backhoe bucket. Cast steel; 225 lb. (100 kg) tooth has hardened replaceable tip. Bolt-on rubber street pads for stabilizer pads.

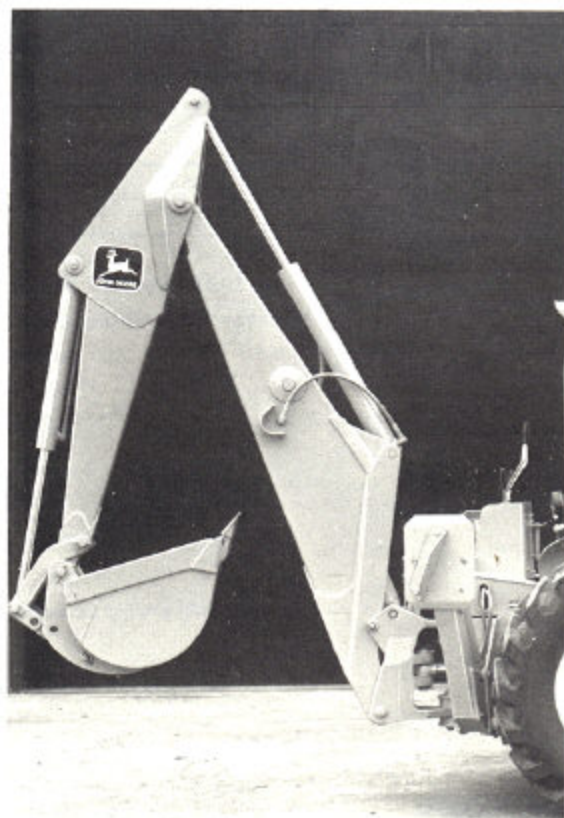
SAE Operating Weight 10,650 lb. (4830 kg)

BACKHOE: (9250A)

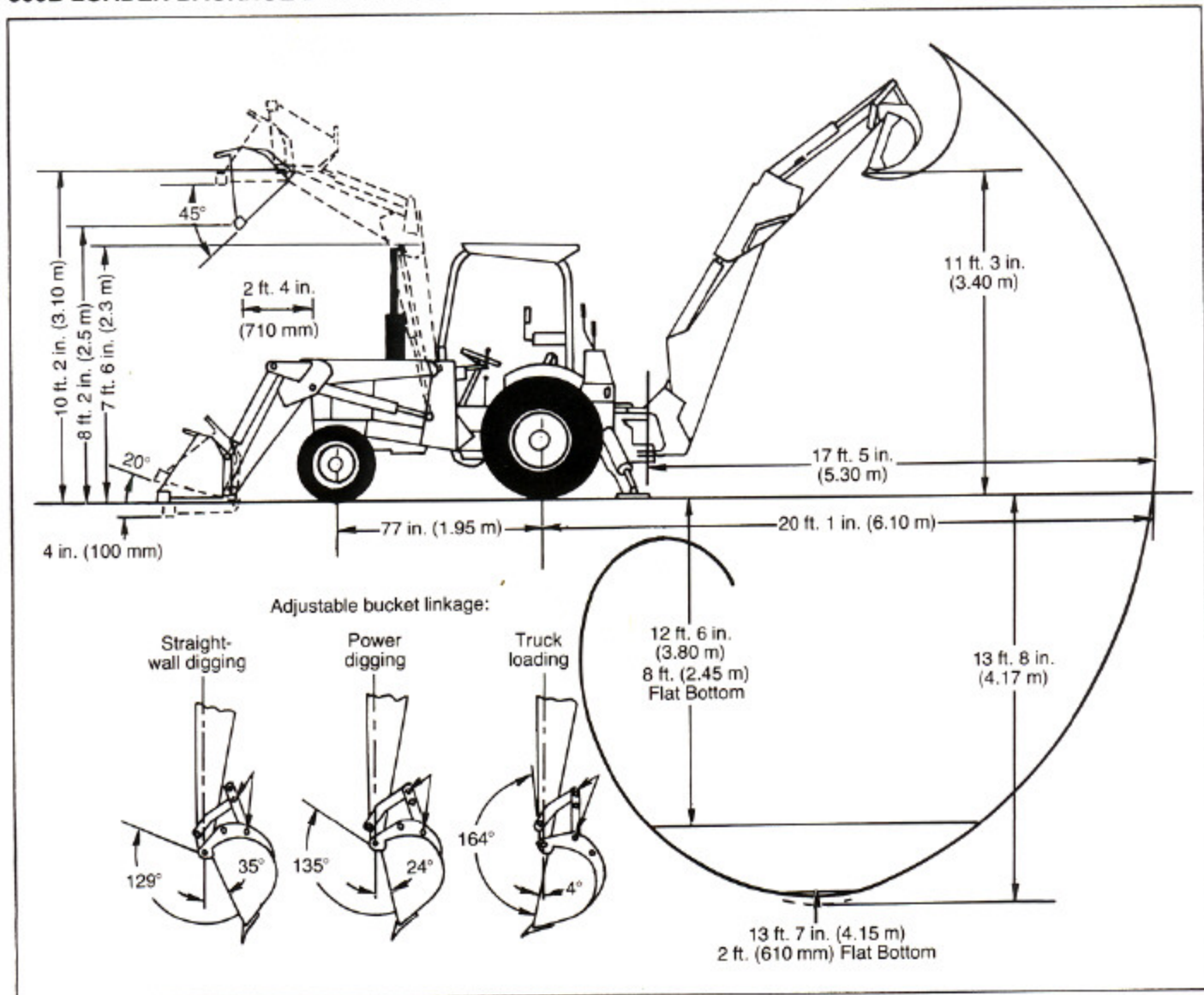
Digging depth (ICED):	
Maximum	13 ft. 8 in. (4.17 m)
2-ft. (610 mm) flat bottom	13 ft. 7 in. (4.15 m)
8-ft. (2.45 m) flat bottom	12 ft. 6 in. (3.80 m)
Swing arc	180 deg.
Full-height lifting capacity:	
Boom	1200 lb. (545 kg)
Dipperstick	2000 lb. (910 kg)
Digging force	
Bucket cylinder power-dig position	7409 lb. (33.21 kN) (3360 kg)
Crowd cylinder	4198 lb. (18.82 kN) (1905 kg)
Reach from center of swing mast	17 ft. 5 in. (5.30 m)
Reach from center of rear axle	20 ft. 1 in. (6.10 m)
Loading height (truck-loading position)	11 ft. 3 in. (3.40 m)
Transport height	10 ft. 11 in. (3.30 m)

Stabilizer Width:

Transport position	6 ft. 8 in. (2.05 m)
Operating position (overall)	9 ft. 8 in. (2.95 m)
Operating position (ICED)	8 ft. 6 in. (2.60 m)



300B LOADER BACKHOE DIMENSIONS



TED B. WELLS, INC.
 Hwy 92 East
 P.O. Box 460
 Gering, Nebr. 69341

