

**case**

# 1835B Uni-Loader



#### **CHOICE OF CASE WATER-COOLED ENGINES**

32 net hp (23.9 kW) gasoline  
34 net hp (25.4 kW) diesel

#### **HYDROSTATIC DRIVE**

Delivers smooth constant power with infinitely variable speeds from 0 to 6.1 mph (0 to 9.8 km/h).

#### **HAND CONTROL LEVERS**

Two levers provide full control of power, speed, direction, plus all loader functions.

#### **COMPACT SIZE**

Allows machine to operate in confined areas.

Unit shown is equipped with non-standard items.

**JI Case**

A Tenneco Company

700 State Street Racine, WI 53404 U.S.A.



## 1835B UNI-LOADER SPECIFICATIONS

### ENGINES

|                      |  |  |
|----------------------|--|--|
| Make and model       | Case 148G (Gasoline)                           | Case 188D (Diesel)                             |
| Horsepower — SAE net | (1) 32 @ 2100 rpm<br>(23.9 kW @ 2100 r/min)    | 34 @ 2100 rpm<br>(25.4 kW @ 2100 r/min)        |
| Bore and stroke      | 3.375" x 4.125"<br>(85.7 mm x 104.8 mm)        | 3.81" x 4.12"<br>(97 x 105 mm)                 |
| Displacement         | 148 in <sup>3</sup><br>(2425 cm <sup>3</sup> ) | 188 in <sup>3</sup><br>(3081 cm <sup>3</sup> ) |
| Number of cylinders  | 4  | 4  |
| Cooling              | Liquid   | Liquid   |
| Type of fuel         | Leaded gasoline                                | No. 2 diesel                                   |
| Fuel supply          | Vacuum fuel pump                               | Injection pump                                 |
| Air cleaner          | Dry-type<br>Replaceable element                | Dry-type<br>Replaceable element                |
| Oil filter           | Full flow, replaceable<br>spin-on cartridge    | Full flow, replaceable<br>spin-on cartridge    |
| Lubrication          | Positive pressure                              | Positive pressure                              |
| (1) Per SAE J-816a   |  |  |

### ELECTRICAL

|                |                         |
|----------------|-------------------------|
| System voltage | 12 volt negative ground |
| Battery        |                         |
| Gasoline       | 55 amp                  |
| Diesel         | 95 amp                  |
| Alternator     | 42 amp                  |

### POWER TRAIN

|                   |  |
|-------------------|--|
| Type              | Hydrostatic with single stage chain drive to all wheels  |
| Transmission      | Tandem pump assembly consisting of two variable displacement pumps, gear type charge pump, gear type system pump, two fixed displacement motors. |
| Brakes (standard) | Mechanical parking brake   |

### STEERING

|      |   |
|------|---|
| Type | Independent - 360° counter rotation. Steering, braking, forward and reverse movement controlled by operation of two hand levers |
|------|---|

### HYDRAULIC SYSTEM

|                     |   |
|---------------------|---|
| Main relief setting | 2250 ± 50 psi @ 2250 rpm<br>(158.2 ± 3.5 kg/cm <sup>2</sup> @ 2250 r/min)               |
| Lift cylinders (2)  | 2.5" dia. x 26.75" stroke, 1.5" rod<br>(64 mm dia. x 679 mm stroke, 38 mm rod)          |
| Tilt cylinders (2)  | 2.5" dia. x 15.85" stroke, 1.25" rod<br>(64 mm dia. x 403 mm stroke, 32 mm rod)         |
| Pump capacity       | 15.5 gpm @ 2100 rpm @ 2250 psi<br>(58.7 L/min @ 2100 r/min @ 158.2 kg/cm <sup>2</sup> ) |



|                  |   |
|------------------|---|
| Filter equipment | 6 micron spin-on replaceable element with warning light |
| Charge           | 6 micron spin-on replaceable element with warning light |

### LOADER OPERATIONAL DATA

|   |                                    |                                  |
|---|------------------------------------|----------------------------------|
| Tipping load —                                |                                    |                                  |
| SAE rated                                     | 2349 lbs (4065 kg) gasoline engine | 2410 lbs (1093 kg) diesel engine |
| Rated lift capacity (manufacturer's rating)   | 1200 lbs (544 kg)                  | 4.8 sec.                         |
| Raising time with rated load in bucket        |                                    | 4.8 sec.                         |
| Lowering time bucket empty                    |                                    | 3.0 sec.                         |
| Rollback time from full dump to full rollback |                                    | 1.9 sec.                         |
| Breakout force — lift cylinders               | 2250 lbs (1021 kg)                 |                                  |
| Tilt cylinders                                | 3100 lbs (1406 kg)                 |                                  |
| Travel speed (forward & reverse)              | 6.1 mph (9.8 km/h)                 |                                  |

### SERVICE CAPACITIES

|                                | U.S.          | Litres |
|--------------------------------|---------------|--------|
| Cooling system                 | 4 gal         | 15.1   |
| Fuel tank                      | 14.5 gal      | 55.0   |
| Engine oil — w/filter          | 7 qt          | 6.6    |
| w/o filter                     | 6 qt          | 5.7    |
| Hydraulic Reservoir — w/filter | 6.5 gal       | 24.6   |
| w/o filter                     | 6 gal         | 22.7   |
| Chain compartments (2)         | 4 qt per side | 3.8    |

### WEIGHTS

#### Shipping

|          |                   |
|----------|-------------------|
| Gasoline | 3831 lb (1738 kg) |
| Diesel   | 4017 lb (1823 kg) |

Includes 4 gal. fuel, no operator, no bucket, 7.00 x 15 tires, ROPS, and standard equipment.

#### Operating weight

|          |                   |
|----------|-------------------|
| Gasoline | 4340 lb (1969 kg) |
| Diesel   | 4543 lb (2061 kg) |

Includes full fuel, 175 lb (79 kg) operator, 54" (1370 mm) dirt bucket, 7.00 x 15 tires, ROPS, and standard equipment.

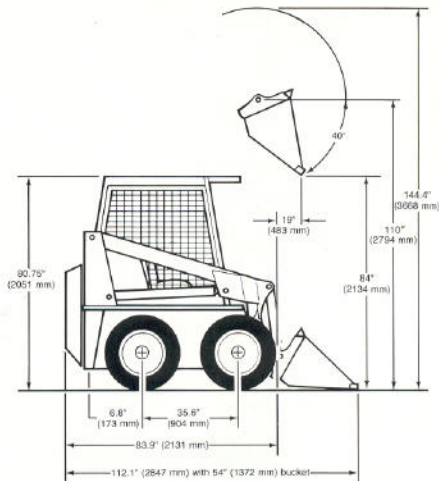
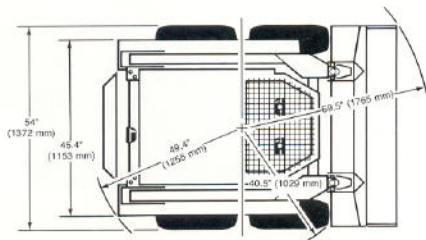
### STANDARD EQUIPMENT

1200 lb (544 kg) loader lift capacity rating with double acting Case cylinders, less attachments, with controls and hydraulics • Case built water cooled diesel and gas engine • Hydrostatic transmission with chain drive to all wheels • Hydraulic spin-on filter • Spin-on hydrostatic charge filter • Operator compartment heat shield • 7.00 x 15 nylon Chevron tires • Tool tach • 12 volt battery • Muffler • Dry type air cleaner • Hand throttle • Mechanical parking brake • ROPS • Adjustable seat • Seat belt • Hourmeter • Fuel gauge • ROPS mounted warning light monitoring system for charge filter, charge pressure, hydraulic system filter, transmission temperature, engine oil pressure, air cleaner restriction, electrical charging system and engine water temperature • Anti-freeze to -20°F (-29°C) • Engine low oil pressure warning alarm.

NOTE: Specifications taken with full fuel, 175 lb (79 kg) operator, 54" (1370 mm) dirt bucket, 7.00 x 15 tires, 6 PR, ROPS and standard equipment, unless otherwise specified.



## OPERATING DIMENSIONS



NOTE: Specifications taken with full fuel, 175 lbs (79 kg) operator, 54" (1372 mm) dirt bucket, 7.00 x 15, 6-PR tires, ROPS and standard equipment, unless otherwise specified.

| Bucket Type    | Width |      | Struck Capacities |                | SAE Heaped Capacities |                | Weight |     | Dump Height |      | Dump Reach |     | Dump Angle | Overall Length |      |
|----------------|-------|------|-------------------|----------------|-----------------------|----------------|--------|-----|-------------|------|------------|-----|------------|----------------|------|
|                | in    | mm   | ft <sup>3</sup>   | m <sup>3</sup> | ft <sup>3</sup>       | m <sup>3</sup> | lbs    | kg  | in          | mm   | in         | mm  | deg        | in             | mm   |
| Dirt           | 54    | 1370 | 7.7               | 0.22           | 10.0                  | 0.28           | 264    | 120 | 84          | 2134 | 19.2       | 488 | 40°        | 112.1          | 2847 |
| Dirt           | 60    | 1520 | 8.6               | 0.24           | 11.2                  | 0.32           | 281    | 127 | 84          | 2134 | 19.2       | 488 | 40°        | 112.1          | 2847 |
| Utility        | 54    | 1370 | 12.3              | 0.35           | 15.1                  | 0.43           | 335    | 152 | 82          | 2083 | 24.4       | 620 | 35°        | 116.7          | 2964 |
| Utility        | 60    | 1520 | 13.7              | 0.39           | 16.9                  | 0.48           | 356    | 161 | 82          | 2083 | 24.4       | 620 | 35°        | 116.7          | 2964 |
| Light material | 66    | 1680 | 15.1              | 0.43           | 18.8                  | 0.53           | 377    | 171 | 82          | 2083 | 24.4       | 620 | 35°        | 116.7          | 2964 |

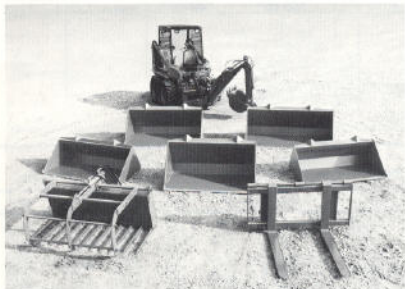
### MANURE FORK:

|  |                 |
|--|-----------------|
| Number of tines                              | 11              |
| Width between each tine                      | 4.2" (107 mm)   |
| Overall width of tines                       | 54.3" (1379 mm) |
| Overall width of attachment                  | 54.8" (1392 mm) |
| Length of tine                               | 27" (686 mm)    |
| Hydraulic grapple available for manure fork. |                 |

### PALLET FORK:

|  |                 |
|--|-----------------|
| Maximum width of forks                 | 40" (1016 mm)   |
| Minimum width of forks                 | 12" (305 mm)    |
| Length of fork                         | 36" (914 mm)    |
| Overall width of attachment            | 48.5" (1232 mm) |
| Brick guard available for pallet fork. |                 |





**OPTIONAL EQUIPMENT (on basic machine)**

7.00 x 15 Steel Cap 6-PR tires. 10.00 x 16.5 Sure-Grip (flotation) 6-PR tires. Lights. Auxiliary hydraulics. Horn. Spark arresting muffler. Deluxe seat. Cold start aid (diesel only).

**OPTIONAL EQUIPMENT (attachments)**

54" (1372 mm) and 60" (1524 mm) dirt buckets. 54" (1372 mm) and 60" (1524 mm) utility buckets. 86" (1676 mm) light material bucket. Manure fork. Hydraulic grapple. Pallet fork. Brick guard. 8.5" (2591 mm) backhoe.

**NOTE:** All specifications are stated in accordance with ICED Definitions or SAE Standards or Recommended Practices, where applicable.

**IMPORTANT**

J I Case Company reserves the right to change these specifications without notice and without incurring any obligation relating to such changes.

**Sold and serviced by:**