

**case**

1816C Uni-Loader.

**HYDROSTATIC DRIVE**

Delivers smooth constant power with infinitely variable speeds from 0 to 4.8 mph (0 to 7.7 km/h).

HAND CONTROL LEVERS

Two levers provide full control of power, speed, direction, plus all loader functions.

16 (11.9 kW) NET HORSEPOWER

Onan two cylinder 43.3 in³ (710 cm³) air-cooled gas engine.

830 LBS (377 kg) BREAKOUT FORCE

Plenty of hydraulic power to pry out tough materials; fill bucket quickly.

Unit shown is equipped with non-standard items.

J I Case

A Tenneco Company

700 State Street Racine, WI 53404 U.S.A.



1816C UNI-LOADER SPECIFICATIONS

ENGINE

Make and model	Onan, B43M - GA016/3902A
Maximum rated horsepower	
(1) SAE net	16 @ 3600 rpm (11.9 kW @ 3600 r/min)
Bore and stroke	3.25" x 2.625" (83mm x 67mm)
Displacement	43.3 in ³ (710 cm ³)
Number of cylinders	Two
Cooling	Air
Type of fuel	Unleaded gasoline
Fuel supply	Electric fuel pump and carburetor
Air cleaner	Dry type, replaceable cartridge
Oil filter	Full flow, replaceable spin-on cartridge
Lubrication	Positive pressure

(1) Per SAE J607 definition.

ELECTRICAL

System voltage	12 volts, negative ground
Battery	32 amp
Alternator	20 amp, fly wheel type
Ignition	Battery ignition with points

POWER TRAIN

Type	Hydrostatic with chain drive to wheels
Transmission	Two variable displacement pumps and two fixed displacement motors
Brakes parking (optional)	Mechanical parking brake locks both front drive sprockets

STEERING

Type	Independent — 360° counter-rotation. Steering, braking, forward and reverse movement controlled by operation of two hand levers
------	---

HYDRAULIC SYSTEM

Main relief setting	1150 ± 50 psi @ 3600 rpm (7929 ± 345 kPa @ 3600 r/min)
Lift cylinders (2)	2" dia x 27" stroke, 1" rod (51 mm dia x 686 mm stroke, 25 mm rod)
Tilt cylinders (2)	2" dia x 13.1" stroke, 1" rod (51 mm dia x 333 mm stroke, 25 mm rod)
Pump capacity	8 gpm @ 3600 rpm @ 1100 psi (30.3 L/min @ 3600 r/min @ 7584 kPa)

LOADER OPERATIONAL DATA

Tipping Load — SAE rated	1035 lbs (469 kg)
Rated lift capacity Manufacturer's rating	700 lbs (318 kg)
Raising time with rated load in bucket	5.4 sec
Lowering time, bucket empty	3.7 sec
Rollback time from full dump to full rollback	2 sec
Breakout force	
Lift cylinders	1050 lbs (476 kg)
Tilt cylinders	830 lbs (377 kg)

SERVICE CAPACITIES

	U.S.	Litres
Fuel tank	8.5 gal	32.2
Engine oil		
w/ filter	2.3 qt	2.18
w/o filter	1.75 qt	1.66
Hydraulic reservoir		
w/ filter	15 qt	14.2
w/o filter	14 qt	13.2

WEIGHTS

Shipping weight: Includes 2 gal. (7.6 litres) fuel, no operator, no bucket, with 5.90 x 15 tires, ROPS and standard equipment: 1740 lbs (789 kg).

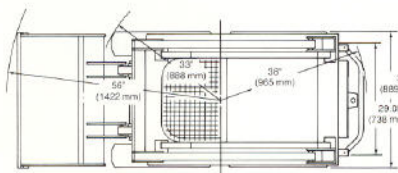
Operating weight: Includes full fuel, 175 lbs (79 kg) operator, 35" (889 mm) bucket, 5.90 x 15 tires, ROPS and standard equipment: 2065 lbs (937 kg).

STANDARD EQUIPMENT

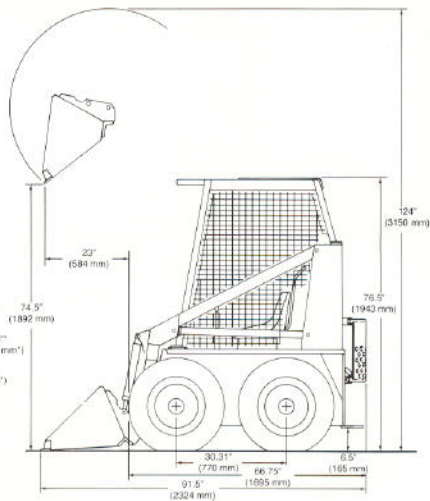
700 lbs (318 kg) loader lift capacity rating, with two double acting lift cylinders, less attachments, with controls and hydraulics • 16 horsepower (11.9 kW) Onan gasoline engine with electric fuel pump and battery ignition system • Key switch type starting • Enclosed flywheel alternator • 12 volt battery • Industrial dry-type air cleaner • Muffler • 8.0 gpm (30.3 L/min) hydraulic pump • Hydraulic oil filter with condition indicator and replaceable element • Ammeter • Hourmeter • Hand throttle • Hand choke • Hydrostatic transmission with chain drive to all wheels • Independent steering controls • Mechanical transmission disconnect • Operator's compartment heat shield • Seat belt • ROPS • Engine oil filter with replaceable element • Engine low oil pressure warning buzzer • Non-directional lug tires •

NOTE: Specifications taken with full fuel, 175 lbs (79 kg) operator, 35" (889 mm) tire bucket, 5.90 x 15 4PR tires, ROPS and standard equipment, unless otherwise specified.





*reversed tires



Bucket Type	Width		Struck Capacities		SAE Heaped Capacities		Weight		Dump Height		Dump Reach		Dump Angle	Overall Length	
	in	mm	ft ³	m ³	ft ³	m ³	lbs	kg	in	mm	in	mm		deg	in
Dirt	35	889	3.82	0.11	4.93	0.14	115	52	74.5	1892	23	584	36°	91.5	2324
Dirt	44	1118	4.84	0.14	6.34	0.18	130	59	74.25	1886	23	584	36°	91.5	2324
Light Material	48	1219	8.72	0.25	11.35	0.32	172	78	69.5	1765	29	737	38°	99.5	2527

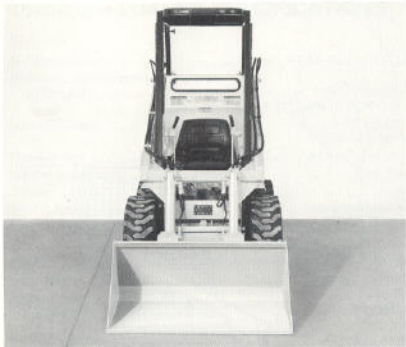
MANURE FORK

Number of tines	7
Width between each tine	5.5" (140 mm)
Overall width of tines	34.5" (876 mm)
Overall width of attachment	35.5" (902 mm)
Length of tine	19.75" (502 mm)
Hydraulic grapple available for manure fork.	

PALLET FORK

Maximum width of forks	29" (737 mm)
Minimum width of forks	7.5" (191 mm)
Length of fork	30" (762 mm)
Overall width of attachment	34" (864 mm)





Sold and serviced by:

OPTIONAL EQUIPMENT (on basic machine)

5.70 x 15, 4PR Chevron tread tires • 27 x 8.50 x 15, 4PR Terra extra traction tread tires • 27 x 8.50 x 15, 4PR Lug type tires • Mechanical parking brake • Rear counterweights • Auxiliary hydraulics •

OPTIONAL EQUIPMENT (attachments)

35" (889 mm), 44" (1118 mm) and 48" (1219 mm) buckets • Pallet fork, Manure fork • Manure fork grapple • Tool tach for front mounted equipment •

NOTE: All specifications are stated in accordance with ICED definitions or SAE standards or recommended practices, where applicable.

Important

J I Case Company reserves the right to change these specifications without notice and without incurring any obligation relating to such changes.