

**case**

1845B Uni-Loader.



- **HYDROSTATIC DRIVE**
Delivers smooth constant power with infinitely variable speeds from 0 to 6.2 mph (0 to 10.0 km/h).
- **45 (33.6 kW) NET HORSEPOWER**
Case-built water-cooled 4 cylinder gas or diesel engines.
- **4880 LBS (2214 kg) BREAKOUT FORCE**
Plenty of hydraulic power to pry out tough materials, fill bucket quickly.
- **HAND CONTROL LEVERS**
Two levers provide full control of power, speed.
- **SELF LEVELING LOADER**
Helps retain the load automatically from ground line to maximum hinge pin height.

Unit shown is equipped with non-standard items.

JI Case

A Tenneco Company

700 State Street Racine, WI 53404 U.S.A.



1845B UNI-LOADER SPECIFICATIONS

ENGINES

	Case 159G (Gasoline)	Case 188D (Diesel)
Make and model	Case 159G (Gasoline)	Case 188D (Diesel)
Horsepower - SAE net (1) ...	45 @ 2200 rpm (33.6 kW @ 2200 r/min)	45 @ 2200 rpm (33.6 kW @ 2200 r/min)
Bore and stroke	3.5" x 4.12" (89 x 105 mm)	3.81" x 4.12" (97 x 105 mm)
Displacement	159 in ³ (2606 cm ³)	188 in ³ (3081 cm ³)
Number of cylinders	4	4
Cooling	Liquid	Liquid
Type of fuel	Leaded gasoline	No. 2 diesel
Fuel supply	Vacuum fuel pump	Injection pump
Air cleaner	Dry-type	Dry-type
Oil filter	Replaceable element	Replaceable element
Lubrication	Full flow, replaceable spin-on cartridge	Full flow, replaceable spin-on cartridge
	Positive pressure	Positive pressure

(1) Per SAE J-816a

ELECTRICAL

System voltage	12 volt negative ground
Battery	
Gasoline	55 amp
Diesel	95 amp
Alternator	42 amp

POWER TRAIN

Type	Hydrostatic with two stage chain drive to all wheels
Transmission	Tandem pump assembly consisting of two variable displacement pumps, gear type charge pump, gear type system pump, two fixed displacement motors and two self-contained reduction gearheads
Brakes (standard)	Mechanical parking brake

STEERING

Type	Independent - 360° counter rotation, Steering, braking, forward and reverse movement controlled by operation of two hand levers
------	---

HYDRAULIC SYSTEM

Main relief setting	2325 ± 50 psi @ 2200 rpm (163.5 ± 3.5 kg/cm ² @ 2200 r/min)
Lift cylinders (2)	2.5" dia. x 29.5" stroke, 1.5" rod (64 mm dia. x 749 mm stroke, 38 mm rod)
Tilt cylinders (2)	2.5" dia. x 21.25" stroke, 1.25" rod (64 mm dia. x 540 mm stroke, 32 mm rod)
Pump capacity	16.8 gpm @ 2200 rpm @ 2250 psi (63.6 L/min @ 2200 r/min @ 158.2 kg/cm ²)



Filter-equipment	6 micron spin-on replaceable element with warning light
Filter-charge	6 micron spin-on replaceable element with warning light

LOADER OPERATIONAL DATA

Tipping load -	
SAE rated	2920 lbs (1325 kg) gasoline engine 3120 lbs (1415 kg) diesel engine
Rated lift capacity (manufacturer's rating)	1700 lbs (771 kg)
Raising time with rated load in bkt.	4.5 sec.
Lowering time bucket empty	4.0 sec.
Rollback time from full dump to full rollback	1.7 sec.
Breakout force - lift cylinders	3250 lbs (1474 kg)
Tilt cylinders	4880 lbs (2214 kg)
Travel speed (forward & reverse)	6.2 mph (10.0 km/h)

SERVICE CAPACITIES

	U.S.	Litres
Cooling system	4 gal	15.1
Fuel tank	19.5 gal	73.8
Engine oil - w/filter	7 qt	6.6
wo/filter	6 qt	5.7
Hydraulic Reservoir - w/filter	13.5 gal	51.1
wo/filter	13 gal	49.2
Chain compartments (2)	5 qt per side	4.7

WEIGHTS

Shipping	
Gasoline	5250 lb (2381 kg)
Diesel	5370 lb (2436 kg)

Includes 6 gal. fuel, no operator, no bucket, 7.50 x 16 tires, ROPS, and standard equipment.

Operating weight

Gasoline	5825 lb (2642 kg)
Diesel	5965 lb (2706 kg)

Includes full fuel, 175 lb (79 kg) operator, 63" (1600 mm) dirt bucket, 7.50 x 16 tires, ROPS, and standard equipment.

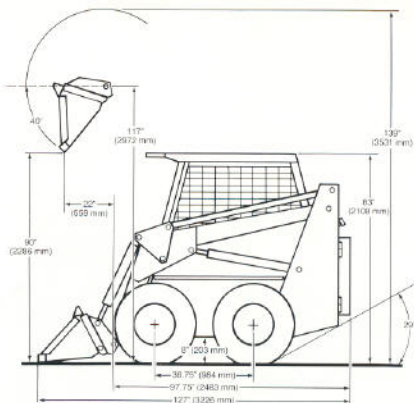
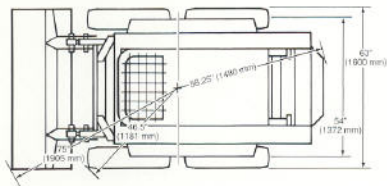
STANDARD EQUIPMENT

Self leveling loader with 1700 lb. (771 kg) lift capacity rating with double acting Case cylinders, less attachments with controls and hydraulics • Case built water cooled diesel or gas engine • Hydrostatic transmission with chain drive to all wheels • Spin-on hydraulic oil filter • Spin-on hydrostatic charge filter • Operator compartment heat shield • 7.50 x 16 steel cap Chevron tires • Tool tach • 12 volt battery • Muffler • Dry type air cleaner • Hand throttle • Mechanical parking brake • ROPS • Adjustable seat • Seat belt • Hourmeter • Fuel gauge • ROPS mounted warning light monitoring system for charge filter, charge pressure, hydraulic system filter, transmission temperature, engine oil pressure, air cleaner restriction, electrical charging system and engine water temperature • Anti-freeze to -20°F (-29°C) • Low engine oil pressure audible alarm.

NOTE: Specifications taken with full fuel, 175 lb (79 kg) operator, 63" (1600 mm) dirt bucket, 7.50 x 16 tires, 6 PR, ROPS and standard equipment, unless otherwise specified.



OPERATING DIMENSIONS



Type	Width		Struck Capacities		SAE Heaped Capacities		Weight		Dump Height		Dump Reach		Dump Angle		Overall Length	
	Inch	mm	cu. ft.	m ³	cu. ft.	m ³	Lbs	kg	Inch	mm	Inch	mm	°	Inch	mm	
Dirt	63	1600	9.1	0.26	11.9	0.34	319	145	90	2286	22	559	40	127	3226	
Dirt	73	1854	10.6	0.30	13.9	0.39	372	169	90	2286	22	559	40	127	3226	
Utility	63	1600	15.6	0.44	19.5	0.55	430	195	86.8	2205	28	711	35	133.4	3388	
Utility	73	1854	18.1	0.51	22.8	0.64	505	229	86.8	2205	28	711	35	133.4	3388	
Fertilizer & Grain	63	1600	20.3	0.58	24.7	0.70	510	231	85.4	2169	37	940	30	140	3556	
Snow & Litter	80	2032	25.4	0.72	32.2	0.91	620	281	82.3	2090	27.9	709	40	136	3454	
4-in-1	73	1854	10.9	0.31	16.4	0.47	688	312	86.7	2202	17.7	450	52	126.8	3221	

MANURE FORK:

Number of tines	13
Width between each tine	4" (102 mm)
Overall width of tines	62.4" (1585 mm)
Overall width of attachment	63.3" (1608 mm)
Length of tine	30" (762 mm)
Dump angle - maximum loader height	46°
Overall machine length	
fork at ground level	130.4" (3312 mm)
Dump height - loader at maximum height	87" (2210 mm)
Dump reach - maximum height	19.5" (495 mm)
Weight of manure fork	430 lbs (195 kg)

HYDRAULIC GRAPPLE:

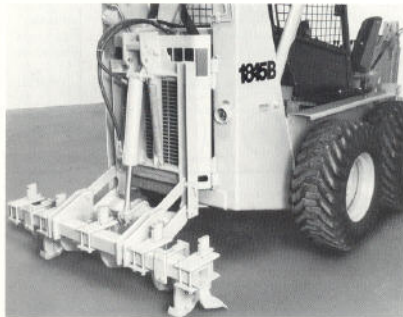
Height of opening with cylinders	
fully retracted	47" (1194 mm)
Weight of grapple without manure fork	310 lbs (141 kg)



SCARIFIER:

*Angle of departure (maximum)	20°
Digging depth	
teeth in upper position	4.5" (114 mm)
teeth in lower position	7.5" (191 mm)
Ground clearance, fully raised	
teeth in upper position	13.75" (349 mm)
Length when raised	
(from centerline of rear axle)	56" (1422 mm)
Weight of scarifier assembly	490 lbs (222 kg)

*Scarifier fully raised, teeth upside down, depth shoes raised.



PALLET FORK:

Maximum width of forks	40" (1016 mm)
Minimum width of forks	12" (305 mm)
Length of fork	37.2" (945 mm)
Overall width of attachment	50" (1270 mm)
Overall machine length	
forks on ground	141" (3581 mm)
Lifting height - maximum	111.25" (2826 mm)
Weight of pallet fork	375 lbs (170 kg)

Brick Guard:

Height	
top of lifting surface to top of guard	45.4" (1153 mm)
maximum with pallet fork fully raised	156.8" (3983 mm)
Weight of brick guard	80 lbs (36 kg)



4-in-1® BUCKET

Width	73" (1854 mm)
Struck capacity	10.9 cu. ft. (31 m³)
SAE heaped capacity	16.5 cu. ft. (47 m³)
Weight	688 lb (312 kg)



OPTIONAL EQUIPMENT (on basic machine)

12.00 x 16.5 lug type flotation tires, 6.50 x 16 non-pneumatic Mitco tires
• Counterweights • Auxiliary hydraulics • Cold start kit (diesel) • Belly pan
• Bucket level indicator • Spark arrest muffler • Rigid drawbar • Horn,
ROPS enclosure • Back-up alarm • Pre-cleaners • Lights • Deluxe seat.



OPTIONAL EQUIPMENT (attachments)

63" (1600 mm) and 73" (1854 mm) dirt buckets • 63" (1600 mm) and 73" (1854 mm) utility buckets • 63" (1600 mm) fertilizer and grain bucket • 80" (2032 mm) snow and litter bucket • 73" (1854 mm) 4-in-1 bucket • D100 backhoe • D130 backhoe • Rear tool bar • Manure fork • Hydraulic grapple • Pallet fork • Brick guard.

NOTE: All specifications are stated in accordance with ICED Definitions or SAE Standards or Recommended Practices, where applicable.

IMPORTANT:

J I Case Company reserves the right to change these specifications without notice and without incurring any obligation relating to such changes.

Sold and serviced by: