



DATSUN FORKLIFT



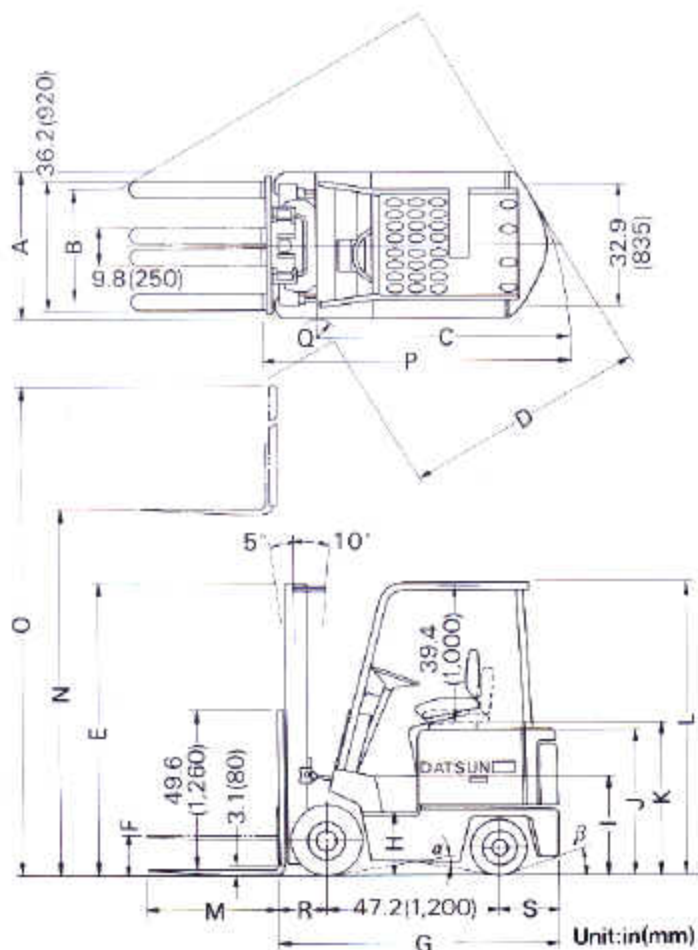
ELECTRIC ^{CO₂} SUPER SERIES
E4000 E5000 E5500 E5000L
CUSHION TIRE

Datsun Super Series Electrics.

4,000, 5,000 & 5,500-Pound Hi-Chargers—The Future In Forklifts, Now!



E4000 • E5000 • E5500 • E5000L



Dimensions

Item	Model	E4000	E5000	E5500	E5000L
		CYB02L20V	CYB02L25V	CYB02L28V	CYB02L25RV
A	Overall width (single tires) (in/mm)	41.9/1065			
B	Front tread (single tires) (in/mm)	34.6/880	34.1/865	34.6/880	
C	Min. outside turning radius (in/mm)	70.7/1795	72.8/1850	73.6/1870	
D	Right angle intersecting aisle (with standard forks) (in/mm)	65.7/1670	68.9/1750	68.7/1745	
E	Overall height lowered (std.) (in/mm)	83.1/2110			
F	Free lift (std.) (in/mm)	16.5/420			
G	Overall length (without fork) (in/mm)	80.9/2055	83.1/2110	83.9/2130	
H	Step height (in/mm)	17.7/450			
I	Floor height (in/mm)	28.5/725			
J	Counterweight height (in/mm)	41.1/1045			
K	Seat height (seated) (in/mm)	43.5/1105			
L	Overhead guard height (in/mm)	83.1/2110			
M	Fork length (std.) (in/mm)	36.2/920	42.1/1070	36.2/920	
N	Max. fork height (in/mm)	130/3300	128/3250	130/3300	
O	Overall height mast extended (in/mm)	179.5/4560	177.6/4510	179.5/4560	
P	Right angle stacking aisle (plus load length) (in/mm)	85.0/2160	87.6/2225	88.0/2235	
Q	Min. inside turning radius (in/mm)	1.6/40			
R	Front overhang (in/mm)	14.4/365	14.8/375	14.4/365	
S	Rear overhang (in/mm)	19.7/500	21.7/550	22.6/575	
"	Ramp breakover angle tan α (%)	38			
°	Departure angle tan θ (%)	40	36	32	

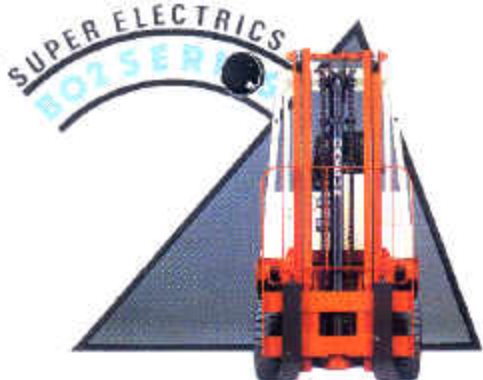
Standard Performance

Model			E4000	E5000	E5500	E5000L
			CYB02L20V	CYB02L25V	CYB02L28V	CYB02L25RV
Capacity (lbs/ton)			4000/2.0			
Load center (in/mm)			24/500			
Lifting speed	Loaded/unloaded	(in/sec)	14.6/20.1 [11.4/16.5]	13.8/20.1 [10.6/16.5]	11.4/15.7 [9.5/12.6]	13.8/20.1 [10.6/16.5]
		(mm/sec)	370/510 [290/420]	350/510 [270/420]	290/400 [240/320]	350/510 [270/420]
Lowering speed	Loaded/unloaded	(in/sec)	19.7/19.7			
		(mm/sec)	500/500			
Travel speed	Loaded/unloaded	(mph)	8.7/9.6 [6.8/7.5]	8.1/9.0 [6.2/6.8]	7.8/8.7 [5.9/6.5]	8.1/9.0 [6.2/6.8]
		(km/h)	14/15.5 [11/12]	13/14.5 [10/11]	12.5/14 [9.5/10.5]	13/14.5 [10/11]
Tires			21 x 7 x 15		21 x 8 x 15	
			16 1/4 x 6 x 11 1/4			
Weight distribution (batteryless)	Front unloaded	(lbs)	3230	3055	3140	2890
		(kg)	1465	1385	1425	1310
	Rear unloaded	(lbs)	2755	3725	4400	3935
		(kg)	1250	1690	1995	1785
	Total unloaded	(lbs)	5985	6780	7540	6825
		(kg)	2715	3075	3420	3095
Motor	Traction motor	Type	DC series wound			
		Output constant rating (kW)	10.0 [7.8]			
	Hoist pump motor	Type	DC compound wound			
		Output 15 minute rating (kW)	11.0 [8.6]			
Power steering motor	Type	DC compound wound				
	Output constant rating (kW)	0.45 [0.35]				
Battery	Voltage (V)	48/36				
	Compartment size (W x L x H) (in)	39.1 x 28.1 x 23.0				
	(mm)	994 x 714 x 585				
		39.1 x 31.1 x 23.0				
		994 x 791 x 585				

□ show when 38V battery is installed.

Total Safety & Super Servicing Ease.

Datsun Gives You Plenty Of Protection, Simplified Maintenance And Parts Back-Up.



Standard Datsun safety features include: Automatic 36-48V changeover. Full compliance with ANSI B56.1 standards. Meets requisite ITA standards. Complies with Underwriters Laboratory Series E standards. Thyristor thermal switch prevents thermal damage. "Deadman" switch automatically switches off power to the traction motor when the operator leaves the seat. Parking brake is dash mounted.

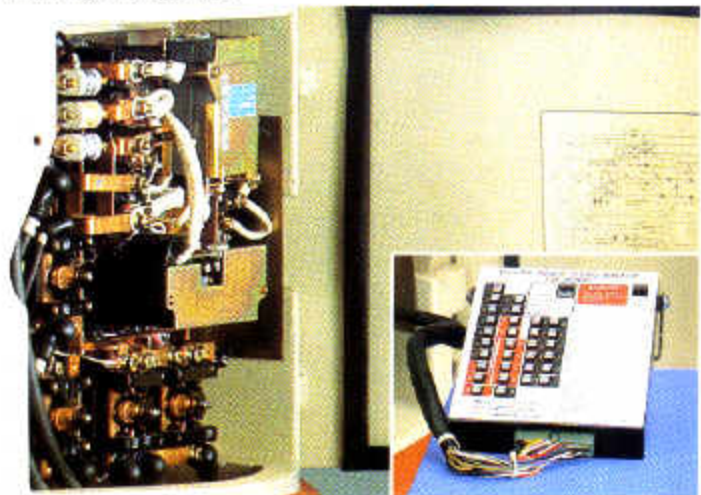
Proven, high-strength components are used throughout. Servicing and routine checks are simplified by an ideal vehicle layout which locates motors, controller and other key components for quick, easy access. Plug-in solid-state circuit boards and control elements are rugged and dependable. The plunger-type contactors are designed for up to 600,000 operations—equal to years of operation. All American 36V and 48V standard battery systems are accommodated in the simple-to-adjust compartment. A level floor and slotted safety guard make battery changing fast and simple.

When you buy Datsun, you are never alone. A nationwide network of computer-serviced dealer/service/parts centers—staffed by fully trained technicians and master mechanics—stands ready to serve you day or night.

PLUS... a national distribution, service and parts headquarters in Memphis offering such special services as a free customer service training school, as well as complete parts inventories, backs up every machine we sell.

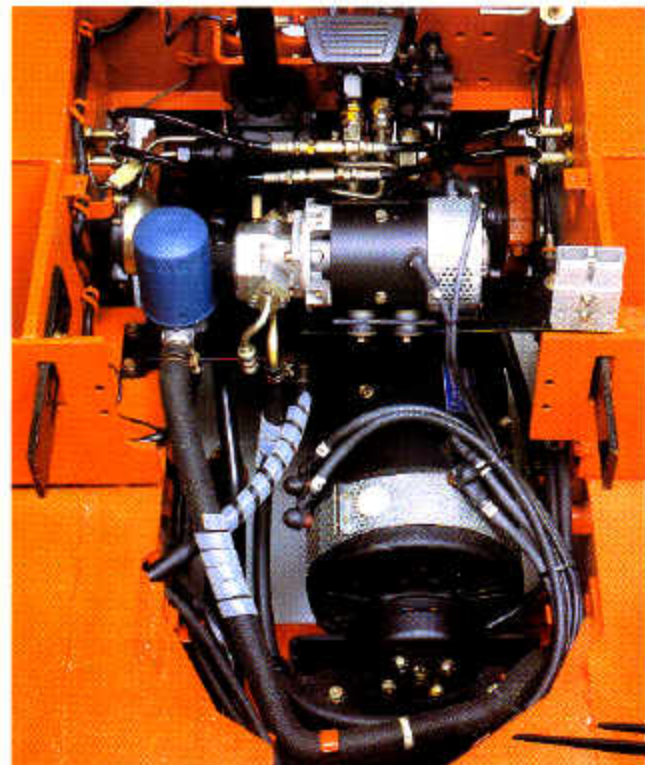


Simple battery removal.



Simplified controller.

EVS analyzer.

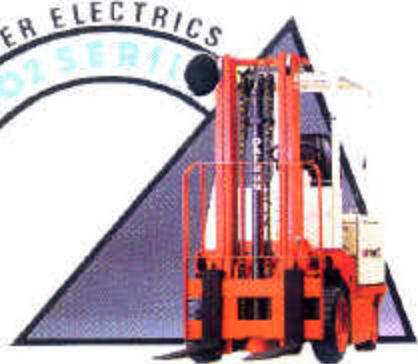


Convenient vehicle layout.

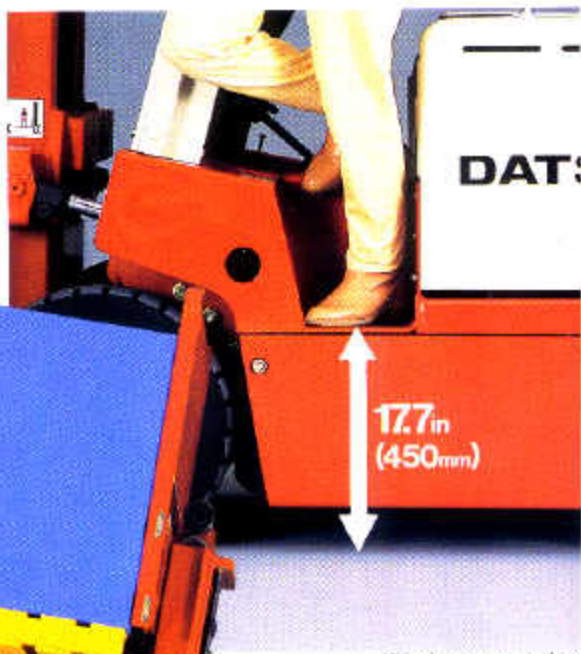


Strength and simplicity are built-in for minimal maintenance requirements.

SUPER ELECTRICS
BOZ SERIES

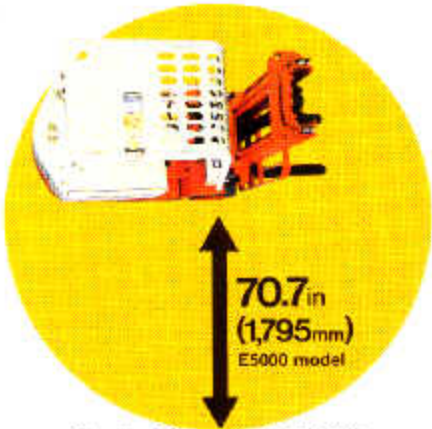


Superior forward visibility.



17.7 in
(450mm)

New large open step.



70.7 in
(1795mm)
E5000 model

Small minimum turning radius.

The new Super Series
is designed
for all-round safety
and superb load stability.



Superb gradeability.



Profit-Producing Capabilities.

**High Maneuverability And Loading Performance
Born Of Many Great Features.**

The more a forklift can do, the more profitable it is to operate. Things are that simple.

A small minimum turning radius, compact dimensions and power steering combine to minimize turning effort and create superb tight-space maneuverability.

Datsun's superb multiple motor system—built to Datsun specifications by Hitachi, a world leader in electronics—provides maximum energy efficiency per charge. Separate motors for traction, hydraulic and power steering systems operate only as needed for maximum energy savings. The rugged traction motor has a field-weakening system which increases travel speed without additional power output. It has a 10.0kW/48V output and provides 54.97 foot pounds of torque. DC compound wound hydraulic and power steering motors prevent over-running during no-load conditions, further reducing power draw.

The popular Datsun SCR provides an infinitely variable range of speeds without jerks, sudden jolts or stops. This advanced system increases productivity, safety and reduces damage to goods.

Sophisticated considerations, such as reduced hydraulic flow resistance and the ideal mating of gear ratios, motors, torque and tires extend the hours per charge. A new Power/Economy Switch further extends operating hours per charge by letting the operator reduce power consumption to match job requirements.

Each element of our operator's Compartment Control Center is human engineered. Datsun's famous single tilt/lift control lever is faster, surer, more precise than conventional 2-lever systems. All gauges and switches are in direct line-of-sight. Ease of getting-in and getting-out is faster, safer. A large, open step with safety tread and convenient hand grip make the difference. Since an operator may get in and out many times during an average day, this is an important advantage.

The Datsun seat is sturdy, contoured and padded to provide firm support and comfort.



At-a-glance instrument panel.



Light-touch power steering.



Single tilt/lift control lever.

Datsun, the fastest growing forklift line in North America, brings the electric forklift to age with advanced engineering and sophisticated design that show the way to the future. NOW—today—here's a forklift totally designed for exceptional energy efficiency, increased operator and machine productivity and long trouble-free operation.

Compact, brawny and Datsun tough. These quiet, emission-free Datsuns can star in many roles usually reserved for forklifts with lower lift capacities. Attractive, low-profile styling makes operation within shipping containers and other low-ceiling work areas easy. A small minimum turning radius and power steering create remarkable tight-space maneuverability.

Work moves fast and economically thanks to a 3-motor system featuring powerful traction and hoist pump motors. A Power/Economy Switch permits the operator to reduce power consumption to match the job. This extends the time between charges. Either the long-operation 36V battery or high-output 48V battery can be mounted. The new, enlarged battery compartment E5000L model assures you even more operating hours per charge.

A safe-start inhibitor, tilt lock and large, open step are among the new safety standards.

It's the Datsun Super Series Electrics—the future in forklifts, now!



Mast Dimension Table

MODEL	E4000 E5000 E5500 E5000L	E4000 E5000 E5000L	E5500	E4000 E5000 E5500 E5000L	E4000 E5000 E5000L	E5500
MAST	MAST NAME	MAX. FORK HEIGHT (in/mm)		OVERALL HEIGHT FULLY LOWERED (in/mm)	FREE LIFT WITHOUT BACKREST (in/mm)	
SIMPLEX	2S210	82/2060	80/2030	59.0/1500*	16.5/420	16.5/420
	2S250	98/2500	96/2450	67.3/1710*	16.5/420	16.5/420
	2S270	106/2700	104/2650	71.3/1810*	16.5/420	16.5/420
	2S300	118/3000	118/3000	77.2/1960*	16.5/420	16.5/420
	2S330	130/3300	128/3250	83.1/2110	16.5/420	16.5/420
	2S350	138/3500	138/3500	88.4/2245	16.5/420	16.5/420
	2S370	146/3700	146/3700	93.3/2370	16.5/420	16.5/420
	2S400	159/4000	159/4000	100.8/2560	16.5/420	16.5/420
	2S450	178/4500	178/4500	110.6/2810	16.5/420	16.5/420
	2S500	198/5000	198/5000	120.5/3060	16.5/420	16.5/420
DUPLEX	2F225	80/2250	80/2250	62.4/1585*	40.7/1035	39.2/985
	2F250	98/2500	98/2500	67.3/1710*	45.7/1160	44.1/1120
	2F270	106/2700	106/2700	71.3/1810*	49.6/1260	48.0/1220
	2F300	118/3000	118/3000	77.2/1960*	55.5/1410	54.0/1395
	2F330	128/3250	128/3250	83.1/2110	61.4/1560	59.8/1520
	2F385	152/3850	152/3850	91.3/2310*	69.6/1760	68.0/1720
	2F430	169/4300	169/4300	97.2/2460*	75.5/1910	73.9/1870
TRIPLEX	3F475	187/4750	187/4750	103.1/2610	81.4/2060	79.8/2020
	3F515	203/5150	203/5150	110.6/2810	88.4/2245	86.8/2205
	3F550	217/5500	217/5500	116.5/2950	93.3/2370	91.7/2330
	3F600	237/6000	237/6000	126.4/3210	103.3/2610	101.7/2570
	3F650	257/6500	257/6500	136.3/3460	113.2/2860	111.6/2820

*Lowest height lower than top of overhead guard.

SPECIFICATIONS

CONTROL SYSTEM	
Traction motor control	Thyristor chopper circuit with magnetic phase shifter
Control	Inhibitor circuit for safety start. Economy switch circuit for extending operating hours. Low-voltage lock circuit for preventing excessive discharge of the battery.
Circuit	Deadman seat switch circuit. Traction motor cut switch circuit for cutting off the traction power during foot brake working.
MOTORS	
Traction	Self-ventilated type, DC-series wound
Hoist pump	Self-ventilated type, DC-compound wound
Power steering	DC-compound wound
STEERING	
Type	Semi-integral power steering
Gear	Recirculating ball type
POWER TRAIN	
Reduction gear	Constant mesh type, involute, planetary gear
Final drive	Hypoid gear
Drive axle	Full-floating type
STEERING AXLE	
Type	Elliptic type, welded box structure
Suspension system	Center pin type, rubber mount
BRAKES	
Service brake	Hydraulic, dual-servo drum brake with auto-adjuster. Operates on drive wheels.
Parking brake	Slick type, mechanically operated on traction motor shaft
WHEELS & TIRES	
Tire size	Front tire, 21 x 7 x 15 on E4000 and E5000 models. 21 x 8 x 15 on E5000 model. Rear tire, 18 1/4 x 6 x 11 1/4.
FRAME & BODY	
Frame structure	Integral, all-welded frame
Overhead guard	Strength conforms to ANSI standards

HYDRAULIC UNIT

Hoist pump	Gear type driven by an independent pump motor
Control valve	Sectional type with lift lock valve
Lift cylinder	With flow regulator valve for mast lowering speed control

LOADING UNIT

Mast	All roller mast. Grease-sealed roller bearing. Simplex mast. Max. fork height 80-106 in (2030-5000 mm). Duplex mast. Max. fork height 89-128 in (2250-3250 mm). Triplex mast. Max. fork height 157-237 in (3950-6000 mm)
Fork	Forged alloy steel, Hook type. Conforms to IFA standards.

INSTRUMENTS

Meter	Battery voltage meter/Hour meter
Light	Pilot light/Low-voltage lock light
Switch	Key switch/Power-Economy switch

ELECTRICAL EQUIPMENT

Battery connector	SB350, Anderson Co., Product No. 632001
Others	Horn

OPTIONAL EQUIPMENT

Battery	E4000 E5000 E5500	36V, Min. 540 AH/6 HR, Max. 935 AH/6 HR 48V, Min. 420 AH/6 HR, Max. 680 AH/6 HR
	E5000L	36V, Min. 792 AH/6 HR, Max. 1020 AH/6 HR 48V, Min. 480 AH/6 HR, Max. 766 AH/6 HR
Others	Headlight/Cold storage model (-35°C), etc.	

*Specifications are subject to change without notice.

Ask your dealer for a no-obligation Datsun Demo.

Datsun Forklifts
Nissan Industrial Equipment Company,
P.O. Box 161404, 2900 Datsun Drive,
Memphis, TN 38116. 901/396-5170

TED B. MILLER CO., INC.
GERING, NEB.



NISSAN MOTOR CO., LTD.

R21E B1 3-10000 Printed in Japan