

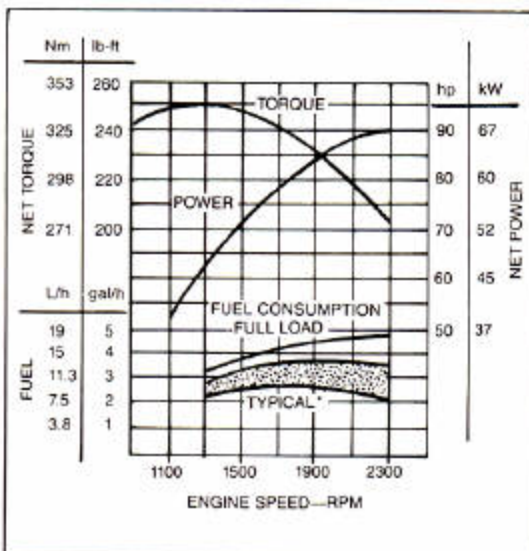


570B MOTOR GRADOR



Model shown may include options

ENGINE PERFORMANCE



*Depending on operating variables

FEATURES

90 SAE net hp (67 kW) John Deere diesel engine

20,225 to 22,528 lb. (9174 to 10 219 kg) operating weight with typical options and equipment

Planetary power shift transmission; 8 speeds forward, 4 reverse

Articulated frame steering

Power wet-disk brakes and differential lock-unlock

Hydraulic control of all blade and machine functions—lockout valves prevent blade drift, blade float adds versatility

12-ft. (3.65 m) moldboard with 0.62 x 6 in. (16 x 152 mm) through-hardened Dura-Max® cutting edge

5-position saddle allows blade positioning for 90-degree bank cuts, left or right, in approximately one minute

Cab or canopy with integral rollover protective structure (ROPS)

New, fully adjustable control console and tilt steering wheel

Dual level monitor system improves machine protection

ADD VERSATILITY WITH:

Scarifier

Snow plow and wing

Dozer blade

TED B. MILLER CO., INC.

Hwy 92 East

P.O. Box 400

Gering, Nebr. 69341

570B MOTOR GRADER SPECIFICATIONS

Specifications and design subject to change without notice. Wherever applicable, specifications are in accordance with SAE Standards. Except where otherwise noted, these specifications are based on a unit with 13.00-24, 8 PR tubeless tires, 12 ft. (3.65 m) moldboard with 6-in. (152 mm) cutting edge, and standard equipment. Weights include lubricants, coolant, full fuel tank and 175-lb. (80 kg) operator.

Rated Power @ 2300 rpm	SAE	DIN 70 020
Net	90 hp (67 kW)	68.5 kW
Gross	95 hp (71 kW)	

Net engine power is with standard equipment including air cleaner, exhaust system, alternator, and cooling fan, at standard conditions per SAE J1349 and DIN 70 020, using No. 2-D fuel @ 35 API gravity. No derating is required up to 5000 feet (1500 m) altitude. Optional altitude compensating turbocharger (ACT) recommended for no derating at altitudes 5000 to 10,000 feet (1500 to 3050 m). Gross power is without cooling fan.

Engine: John Deere 6-359D

Type	4-stroke cycle naturally aspirated diesel
Bore and stroke	4.19 x 4.33 in. (106.5 x 110 mm)
No. of cylinders	6
Displacement	359 cu. in. (5.884 L)
Compression ratio	17.8 to 1
Maximum net torque @ 1300 rpm	250 lb-ft (339 Nm) (35 kg-m)
Lubrication	Pressure system w/full-flow filter
Cooling fan	Suction type
Air cleaner w/restriction indicator	Dry
Electrical system	24 volt w/42-amp alternator
Batteries (two 12-volt)	Reserve capacity: 180 minutes

Transmission: Direct drive, planetary power shift with inching pedal

Travel Speeds: (2300 engine rpm, no tire slip)

Shift Lever Position	Forward		Reverse	
	mph	km/h	mph	km/h
1	2.0	3.2	2.5	4.0
2	2.9	4.7	3.5	5.6
3	4.5	7.2	5.5	8.9
4	5.8	9.3	7.1	11.4
5	7.6	12.2		
6	9.8	15.8		
7	12.8	20.6		
8	21.6	34.8		

Differential Lock: Foot-operated, hydraulically actuated

Rear Drive: Inboard planetary final drives. Oscillating tandems with 1.5-in. (38 mm) pitch roller chain in oil bath.

Front Axle: Fabricated steel frame with cast alloy-steel spindles, tapered roller bearings
 Oscillation (total) 30 deg.
 Wheel lean (either direction) 20 deg.

Steering:
 Front wheels Full hydraulic power system
 (Allows steering without engine power)
 Frame articulation Hydraulically actuated—22 deg. left or right
 Minimum turning radius 18 ft. (5.49 m)

Brakes:
 Service Foot-operated, hydraulically actuated, wet-disk, effective on 4 tandem wheels
 Parking Hand-operated, mechanical, expanding dry shoe, effective on 4 tandem wheels

Hydraulic System:
 Closed-center with pressure-compensated 3.0 cu. in. (50 cm³) variable-displacement pump 27 gpm (102 L/min) @ 2300 engine rpm

Moldboard Wear-resistant high-carbon steel
 Length 12 ft. (3.66 m)
 Height 22 in. (559 mm)
 Thickness 0.62 in. (15.8 mm)

Cutting Edge: Dura-Max through-hardened curved steel
 Thickness and width 0.62 x 6 in. (16 x 152 mm)

Blade Range:
 Lift above ground 13 in. (330 mm)
 Blade side-shift
 Right 26.75 in. (679 mm)
 Left 31.25 in. (794 mm)
 Shoulder reach outside wheels (frame straight)
 Right 71.5 in. (1.82 m)
 Left 77.25 in. (1.96 m)
 Pitch at ground line 32 deg. forward

Blade Lift Mechanism:
 Control Dual-lever, hydraulic w/float position

Saddle:
 Positions 5
 Control Hydraulic, hand operated

Circle: Fabricated steel construction
 Circle diameter 54 in. (1.37 m)
 Rotation 360 deg.
 Drive Hydraulic motor and worm gear w/positive position lock
 Sideshift, right 27.0 in. (686 mm)
 left 28.5 in. (724 mm)

Drawbar: Welded box section, max. 3 x 7 x 0.375 in. (76 x 178 x 9.5 mm) wall, w/universal swivel

Main Frame: Welded box section from articulation joint to front axle support
 Section size, max. 16.5 x 8 in. (419 x 203 mm)
 min. 12.5 x 8 in. (318 x 203 mm)
 Weight per ft., max. 99 lb. (147.3 kg/m)
 avg. 91 lb. (135.4 kg/m)

Dimensions:

Tire Size	Wheel Tread		Overall Width		Ground Clearance (Front Axle)
	Front	Rear	Front	Rear	
13.00-24	78.75 in. (2.00 m)	81.125 in. (2.06 m)	7 ft. 10.75 in. (2.41 m)	7 ft. 10.25 in. (2.39 m)	23.5 in. (597 mm)
15.5-25	81.375 in. (2.07 m)	83.75 in. (2.13 m)	8 ft. 3.75 in. (2.53 m)	8 ft. 3.25 in. (2.52 m)	22.9 in. (582 mm)

Capacities:

	U.S.	Liters
Fuel tank	50 gal.	189.3
Cooling system	5.6 gal.	21.1
Engine lubrication, including filter	3 gal.	11.4
Transmission and hydraulic system, refill	14 gal.	52.9
Tandem housings (each)	5 gal.	18.9
Circle gearbox	1.5 qt.	1.4

Scarifier (Special Equipment)
 V-type with three pitch positions (manual) and hydraulic float
 Width of cut 46 in. (1.17 m)
 Number of teeth 5 standard, 9 optional
 Lift above ground 22.5 in. (575 mm)
 Maximum penetration 8.75 in. (222 mm)
 Shank size 1 x 3 in. (25 x 76 mm)

Bulldozer: (Special Equipment) Mounts on scarifier linkage.
 Angles 22 deg. left or right by articulating machine.
 Length 93 in. (2.36 m)
 Height 23.5 in. (597 mm)
 Lift above ground 27 in. (686 mm)
 Penetration 4 in. (102 mm)

Additional Standard Equipment:

Articulation indicator
 Cushioned vinyl seat
 Dual-level monitor system
 Two-level warnings:
 Transmission temperature
 Single-level warnings:
 Air filter restricted
 Engine coolant temperature
 Low brake pressure
 Low electrical voltage
 Low engine oil pressure
 Low transmission clutch pressure
 Parking brake on (in gear)
 Transmission filter restricted
 Indicator only:
 Differential lock engaged
 Engine air precleaner
 Front windshield wiper
 Fuel gauge
 Horn
 Hourmeter
 Lights, driving
 Lights, stop and tail
 Low profile cab w/ROPS
 Mirror, inside rearview, convex
 Reverse warning alarm
 Seat belt
 Turn signals

570B MOTOR GRADER SPECIFICATIONS

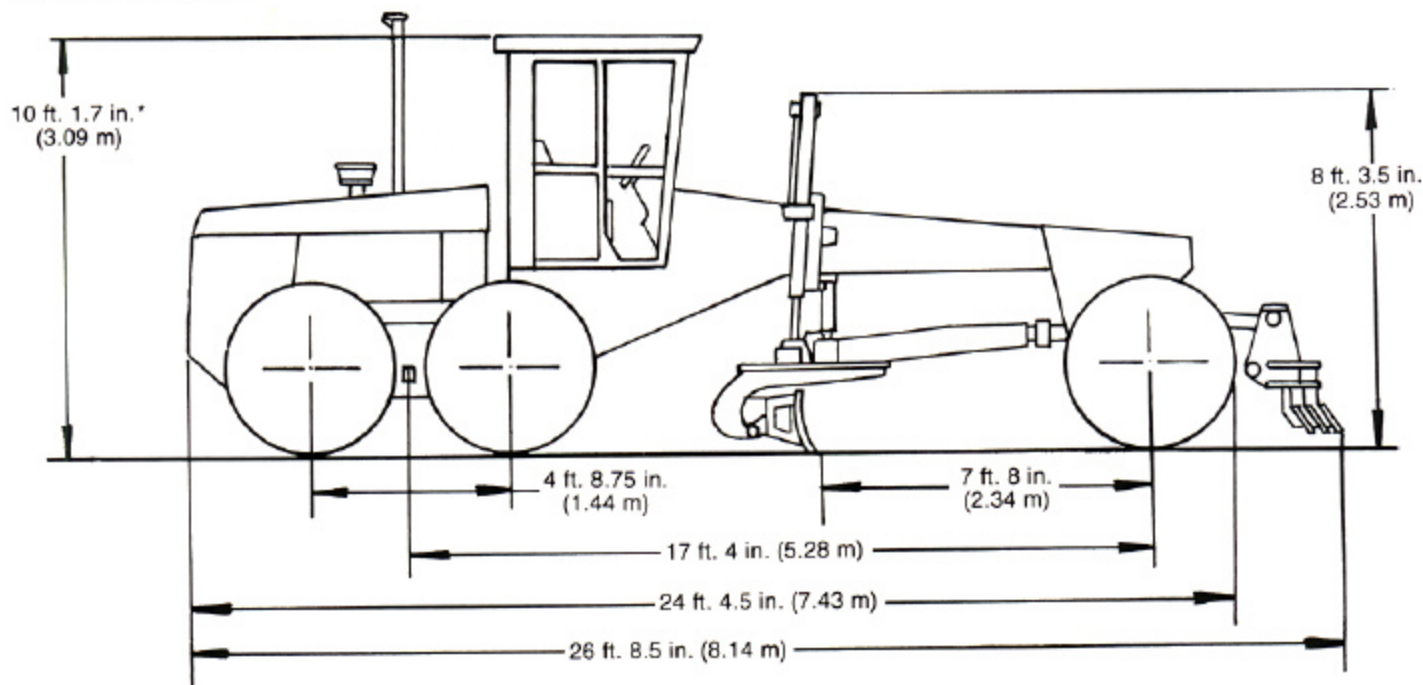
SAE Operating Weight	On Front Wheels	On Rear Wheels	Total
Standard equipment	5725 lb. (2597 kg)	14,500 lb. (6577 kg)	20,225 lb. (9174 kg)
Standard equipment and scarifier	6775 lb. (3073 kg)	14,328 lb. (6449 kg)	21,103 lb. (9572 kg)
Standard equipment and wheel weights	5725 lb. (2597 kg)	15,100 lb. (6849 kg)	20,825 lb. (9446 kg)
Standard equipment, scarifier and wheel weights	6775 lb. (3073 kg)	14,928 lb. (6771 kg)	21,703 lb. (9844 kg)

Optional or Special Equipment with Approximate Weights:

(Add these weights to SAE standard equipment operating weight to obtain total operating weights.)

	lb.	kg
Blade, front dozer	650	295
Bottom guard	123	56
Cab, full height, w/ROPS	82	37
Canopy, low profile w/ROPS	- 226	- 103
Cold-weather starting aid	3	1
Control conversion (moves L.H. blade control to R.H. side)	0	0
Engine side shields	92	42
Engine, John Deere 6-359T (turbocharged)	100	45
Fan, defroster	4	2
Heater, coolant	2	1
Heater, cab, 20,000 Btu/hr (5.9 kW)	16	7
Heater, cab, 40,000 Btu/hr (11.7 kW)	31	14
Lights, work, 2 front/2 rear floods	8	4
Mat, floor	9	4
Mirrors, outside rearview, flat, both sides	12	5
Moldboard, heavy duty, 12 ft. x 22 x .75 in. (3.66 m x 559 x 19 mm)	100	45
Moldboard extensions, 2 ft. (610 mm), right or left (less cutting edge)	185	84
Overlay end bits (1 pair), 6 in. (152 mm)	62	28
Rims for 15.50-25 tires	236	107
Scarifier with five teeth, 1 x 3 in. (25 x 76 mm)	878	398
Seat belt, 3 in. (76 mm)	3	1
Seat, deluxe suspension, cloth covered	90	41
Seat, deluxe suspension, vinyl covered	90	41
Tires:		
13.00-24, 8 PR, G2	—	—
13.00-24, 10 PR, G2	42	19
15.50-25, 8 PR, L2	156	71
Toolbox	14	6
Washer, front and rear windshield	3	1
Wheel weights, 24-in. (610 mm) rims	628	285
Wiper, rear window	5	2

570B MOTOR GRADER DIMENSIONS



*Add 8.3 in. (210 mm) for full height cab

