



NISSAN P-3500

Pneumatic tire lift truck.
Powered by Nissan's 1-1/2 overhead
valve engine for gasoline and LPG.
Nissan's 10-1/2 turret engine code.

- Outstanding fuel and operating economy
- Single lever tilt/lift control simplifies operation
- A selection of masts to fit any application including the all-new Wide-View Mast
- Full time power steering with protective boot for steer cylinder
- Self energizing, self adjusting service brakes insure easy braking and minimum service
- Total cowl-to-counterweight accessibility reduces service cost and down time
- Die-cast torque converter multiplies engine torque three times for fast acceleration and excellent gradeability
- A three spool valve is standard, enabling easy addition of attachments

Capacity	3500 lbs. @24"	1750 kg. @ 500 mm
Service Weight	6285 lbs.	2850 kg.
Length (less forks)	87.2 in.	2215 mm
Height (overhead guard)	79.5 in.	2019 mm
Width	42 in.	1067 mm
Turning Radius	77.6 in.	1970 mm
Right Angle Stacking	93.0 in.	2362 mm
Travel Speed (empty) (loaded)	12.4 mph 12.4 mph	20 km/h 20 km/h
Lifting Speed (empty) (loaded)	108 fpm 98.5 fpm	549 mm/s 500 mm/s
Tires (drive) (steer)		6.50 x 10 Solid 5.00 x 8 Solid

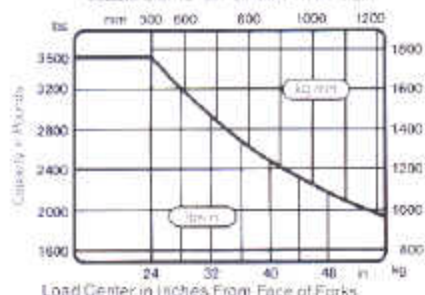
* Add load length.



Nissan Industrial Equipment Company
2900 Datsun Drive • P.O. Box 161404 • Memphis, TN 38118 • (901) 396-5170

P-3500

Capacity Chart for 130" Fork Height



Capacities shown are computed with masts in vertical position and apply to trucks with wide-view masts with maximum fork height up to 130". For capacities above 130" on wide-view masts and all triplex masts please contact factory.

NISSAN ENGINES

	Gasoline/LP Gas	Diesel
Model	J115	SD22
Cylinders	4	4
Bore X Stroke (in/mm)	3.07 x 3.08 78 x 77	3.0 x 3.9 85 x 100
Valves	Overhead	Overhead
Displacement (cu. in/cc)	90.5/1483	132/2164
Max. Output (SAE HP @ r/min/kW @ r/min)	36 @ 2700/35 @ 2700	49 @ 2500/48 @ 2800
Max. Torque (lb-ft @ r/min/kg-m @ r/min)	80 @ 1800/10.5 @ 1800	101 @ 1800/13.5 @ 1800

LIQUID CAPACITIES

	Gasoline/LP Gas	Liters
Hydraulic Oil Tank	8.5 gal	32 L
Differential Oil	2.9 qts	2.7 L
Engine Oil	3.75 qts	3.5 L
Fuel Tank	7.8 gal	33 L
Cooling System	6.25 qts	7.75 L
Transmission Oil	8.5 qts	8.0 L

STANDARD MAST SIZES**

Mast Type	MFH	DHL	FL
Wide View	106 in 2692 mm	73 in 1854 mm	61 in 155 mm
	110 in 2793 mm	85 in 2159 mm	61 in 155 mm
	145 in 3683 mm	85 in 2143 mm	61 in 155 mm
	157 in 3968 mm	100 in 2540 mm	61 in 155 mm
	177 in 4496 mm	120 in 3048 mm	61 in 155 mm
Duplex	105 in 2667 mm	73 in 1854 mm	48 in 1219 mm
	129 in 3277 mm	85 in 2159 mm	60 in 1524 mm
Triplex	162 in 4128 mm	73 in 1854 mm	51.5 in 1308 mm
	169 in 4293 mm	78.5 in 1994 mm	57.3 in 1455 mm
	187 in 4750 mm	84.4 in 2144 mm	63.2 in 1605 mm
	203 in 5186 mm	89.9 in 2291 mm	68.6 in 1740 mm
	217 in 5512 mm	94.7 in 2408 mm	73.4 in 1864 mm

**Other lift heights available



Nissan Forklifts meet or exceed all ANSI B56.1 Safety Standards for Powered Industrial Trucks and Underwriters' Laboratories requirements as to fire hazard for gasoline, LP gas, and diesel.

Optional accessories include protective seal fuel cap, tail and stop lights, flashing lights, and audible alarms.

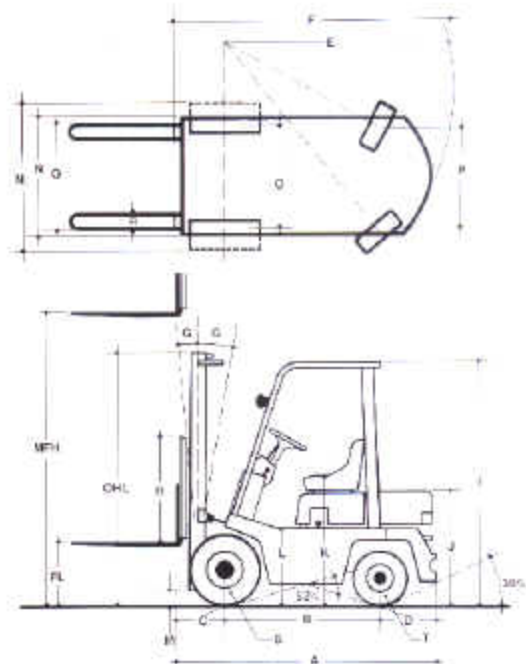
PERFORMANCE SPECIFICATIONS

Lift speed (empty)	108 fpm	543 mm/s
Lift speed (rated load)	98.5 fpm	500 mm/s
Lowering speed (empty)	98.5 fpm	500 mm/s
Lowering speed (rated load)	88.5 fpm	500 mm/s
Travel speed (empty)	Std. 12.4 mph	20 km/h
Travel speed (rated load)	Std. 12.4 mph	20 km/h
Gradeability (empty)	Gas 19%	
Gradeability (rated load)	Diesel 19%	
	Gas 26%	
	Diesel 26%	
Drawbar pull (empty)	Gas	1670 lbs 725 kg
	Diesel	1630 lbs 750 kg
Drawbar pull (rated load)	Gas	3170 lbs 1440 kg
	Diesel	3370 lbs 1500 kg

DIMENSIONAL SPECIFICATIONS

A Length (less forks)*	87.2 in	2216 mm
B Wheel base	51 in	1295 mm
C Front overhang†	15.5 in	394 mm
D Rear overhang	21 in	535 mm
E Minimum outside turning radius	77.6 in	1970 mm
F Right angle stacking (add load length)*	83.0 in	2090 mm
G Lift (F/R), degrees	6°/12°	6°/12°
H Height, load backrest (std)	48 in	1220 mm
I Height, overhead guard	79.5 in	2019 mm
J Height, counter weight	37 in	940 mm
K Height, seat	39.5 in	1000 mm
L Height, step	25.5 in	650 mm
M Mast under clearance	4.5 in	115 mm
N Overall width	42 in	1065 mm
O Drive rest	35 in	890 mm
P Steer base	34.5 in	876 mm
Q Garbage width (max. fork spread)	36 in	914 mm
R Fork size (std) Class I	145" x 4"	
S Drive tire	6.50 x 12 solid	
T Steer tire	5.00 x 8 solid	

*For triplex upright add 1" (25 mm)



The performance shown represents nominal values which may be obtained under typical operating conditions of machine. Performance with LP gas fuel may be expected to be less than the performance shown above. Present products and specifications are subject to improvements without notice.

TED B. MILLER CO., INC.
 Hwy 92 East
 P.O. Box 103
 Greeley, Colo. 80631

