

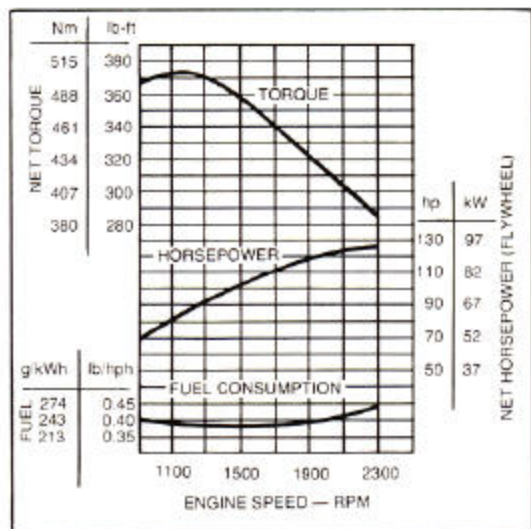


# 670A MOTOR GRADER



Model shown may include options

## ENGINE PERFORMANCE



## FEATURES

125 SAE net hp (93 kW)

12-ft. (3.65 m) moldboard w $\frac{5}{8}$  x 6 in. (16 x 152 mm) through-hardened Dura-Max<sup>®</sup> cutting edge guaranteed against breakage, standard; 13- and 14-ft. (3.95 and 4.25 m) moldboards and 2-ft. (610 mm) extensions available

Power shift transmission;  
8 speeds forward, 4 reverse

Articulated frame steering

Differential lock-unlock

22-ft. (6.70 m) turning radius

All-hydraulic control of blade and machine functions

Closed-center hydraulic system with built-in positive hydraulic locks provides instant response without blade drift or creep

Hydraulically controlled, 7-position lift arms let you position blade for 90-degree bank cuts, left or right, in approximately one minute, without leaving the seat

Oscillating front axle and rear tandem

Hydraulic front-wheel lean

Roll-over protective structure (ROPS) w/cab

## ADD VERSATILITY WITH:

Scarifier

Rear-mounted ripper

Snow plow and wing

Bulldozer

Automatic blade control

TED B. MILLER CO. INC.  
Hwy 92 East  
P.O. Box 460  
Gering, Nebr. 69341



# 670A MOTOR GRADER SPECIFICATIONS

## Additional Standard Equipment:

Gauges:  
 Air filter indicator  
 Engine oil pressure  
 Fuel level  
 Transmission clutch pressure  
 Transmission filter indicator  
 Transmission lube pressure  
 Transmission temperature  
 Water temperature  
 Horn  
 Hourmeter  
 Hydraulic pump, 4.0 cu. in. (65 cm<sup>3</sup>)  
 Lights, driving  
 Lights, stop and tail  
 Moldboard float  
 Precleaner  
 ROPS cab w/seat belt, front wiper and dome light  
 Seat, cushioned vinyl  
 Transistorized voltage regulator

## Optional or Special Equipment with Weights:

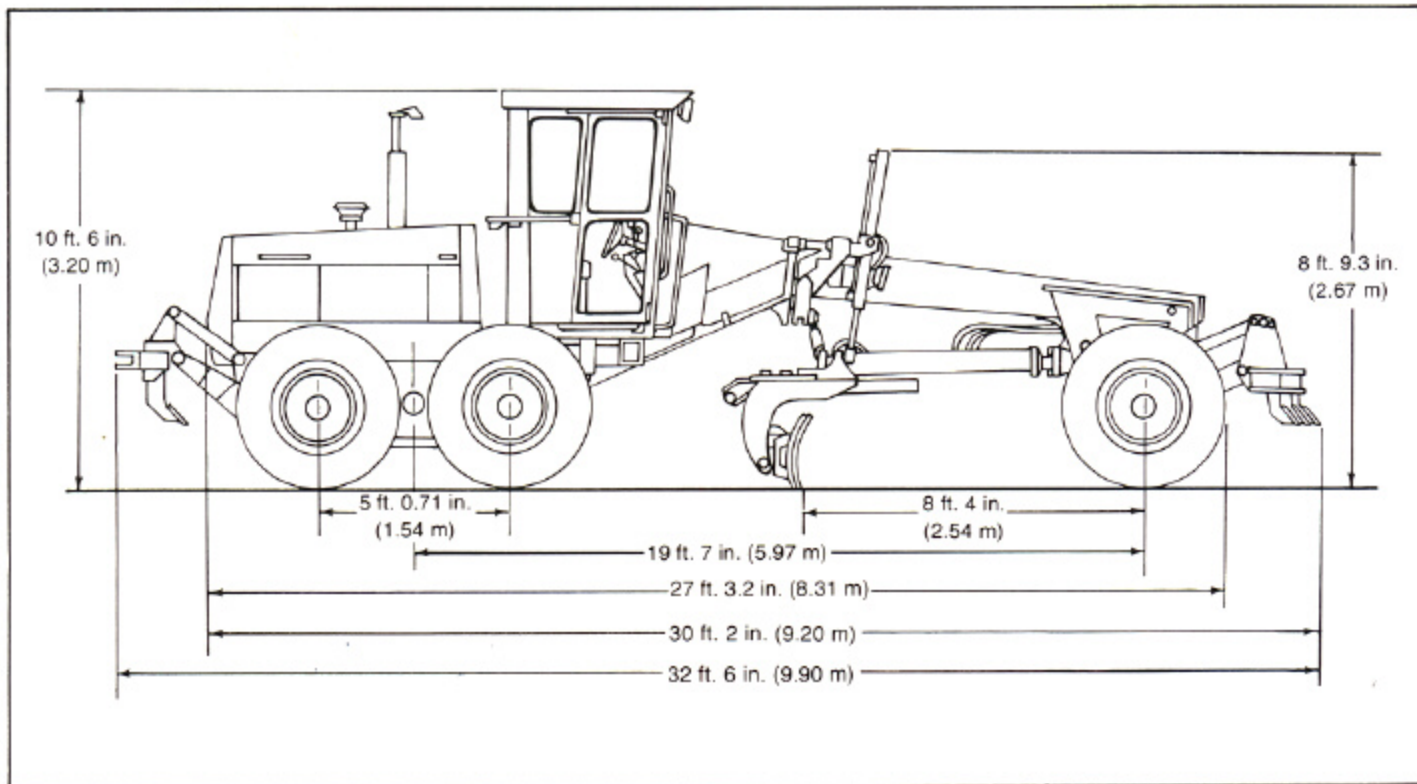
(Add these weights to SAE Standard Equipment operating weights to obtain total operating weights.)

	lb.	kg
Accelerator-decelerator	4	2
Air conditioner w/heavy-duty alternator	177	80
Automatic blade control	355	161
Articulation indicator	5	2
Blade, front bulldozer	1489	675
Bottom guard, heavy-duty w/rear hitch	665	302
Bottom guard, regular	170	77
Cold-weather starting aid	10	5
Dura-Max <sup>®</sup> through-hardened cutting edge, 3/4 x 8 in. (19 x 203 mm)	8.5 lb/ft	(13 kg/m)
Engine disconnect	27	12
Engine side shields	46	21
Fan, defroster	4	2
Heater, coolant	1	.5
Heater, cab, 19,000 BTU	16	7
Heater, cab, 38,000 BTU	31	14
Heater, cab, 40,000 BTU	31	14
Heater, roof-mounted, 25,000 BTU (add to air conditioner)	17	8
Hydraulic pump, 6.0 cu. in. (98 cm <sup>3</sup> ), 52.4 gpm (3.3 L/s)	44	20
Lights, blade	4	2
Lights, work, 2 front/2 rear floods	12	5
Mat, floor	12	5
Mirror, outside rear view, one side	6	3
Mirrors, outside rear view, both sides	12	5
Moldboard, 13-ft. (3.96 m) with 5/8 x 6 in. (16 x 152 mm) through-hardened Dura-Max <sup>®</sup> cutting edge	59	27
Moldboard, 14-ft. (4.27 m) with 5/8 x 6 in. (16 x 152 mm) through-hardened Dura-Max <sup>®</sup> cutting edge	145	66
Moldboard extensions, 2-ft. (610 mm), right or left (less cutting edge)	220	100
Overlay end bits (1 pair), 6 in. (152 mm)	82	28
Overlay end bits (1 pair), 8 in. (203 mm)	77	35
Rear hitch	67	30
Rear mounted ripper w/hitch	2516	1141
Rear windshield wiper	4	2
Reverse warning alarm	6	3
Rims:		
10 in. (254 mm) for 13.00-24 or 14.00-24 tires	472	214
14 in. (356 mm) for 17.5-25 tires	674	305
ROPS canopy w/seat belt and instrument panel cover	-442	-200

SAE Operating Weight	On Front Wheels	On Rear Wheels	Total
Standard equipment . . . . .	7962 lb. (3612 kg)	18,591 lb. (8432 kg)	26,553 lb. (12,044 kg)
Standard equipment and scarifier . . . . .	9121 lb. (4137 kg)	18,418 lb. (8354 kg)	27,539 lb. (12,491 kg)
Standard equipment, scarifier and ripper . . . . .	8388 lb. (3805 kg)	21,667 lb. (9828 kg)	30,055 lb. (13,633 kg)

	lb.	kg
Scarifier, regular w/five teeth 1 x 3 in. (25 x 76 mm)	986	448
Scarifier, heavy-duty w/five teeth 1 1/4 x 4 in. (32 x 102 mm)	1283	582
Seat, bench	44	20
Seat belt, 3-in. (76 mm)	3	1
Seat, deluxe suspension, cloth covered	111	50
Seat, deluxe suspension, vinyl covered	58	26
Sound suppression package (includes bottom guard)	761	345
Sound suppression package (for use w/ripper)	248	112
Tires:		
13.00-24, 12 PR, G2	60	27
14.00-24, 10 PR, G2	194	88
14.00-24, 12 PR, G2	270	122
17.5-25, 12 PR, L2	528	239
Toolbox	12	5
Turn signals	4	2

# 670 A MOTOR GRADER DIMENSIONS



**TED B. MILLER CO. INC.**  
Hwy 92 East  
P.O. Box 460  
Gering, Nebr. 69341

