

DATSUN FORKLIFT

P6.5B

6,500 LBS.

SPECIFICATIONS

Model P 6.5 B
Capacity 6,500 lbs. at 24" Load Center
Service Weight 12,020 #

Insurance Classifications
Underwriters' Laboratories Inc. Listed
Type G, LP or D Standard

Speeds and Grades
Travel Speed with Rated Load 12 MPH
Gradeability with Rated Load 24 %
Lifting Speed with Rated Load 73 FPM

ENGINE — Nissan/Datsun
Model H30 Gasoline (No lead may be used)
Cylinder 6 In-Line
Overhead Valve
Piston Displacement 181.5 Cu. In.
Bore x Stroke 3.433 x 3.268 In.
Max. B.H.P. (HP/RPM) 77 at 2600 — 80 at 3000
Max. Torque (Fr. Lb.) 141 at 2600
Compression Ratio B.2

DIESEL ENGINE OPTION — Nissan/Datsun
Model 5D-33
4 Cycle, 6 Cylinder, In-Line
Bore x Stroke — 3.27 x 3.94/198 Cu. In. Dis-
placement
— 105 @ 4000 RPM or Rated Brake HP =
10 RPM
— Compression Ratio 22 to 1
— Injection System - Swirl Chamber

Oil & WATER CAPACITY
Engine Oil w/Filter 5 Qts.
Fuel Tank 13 1/2 Gal.
Hyd. Oil Tank 10 3/8 Gal.
P. 5 Tank 10 1/8 Qts.
Radiator 21 3/8 Qts.

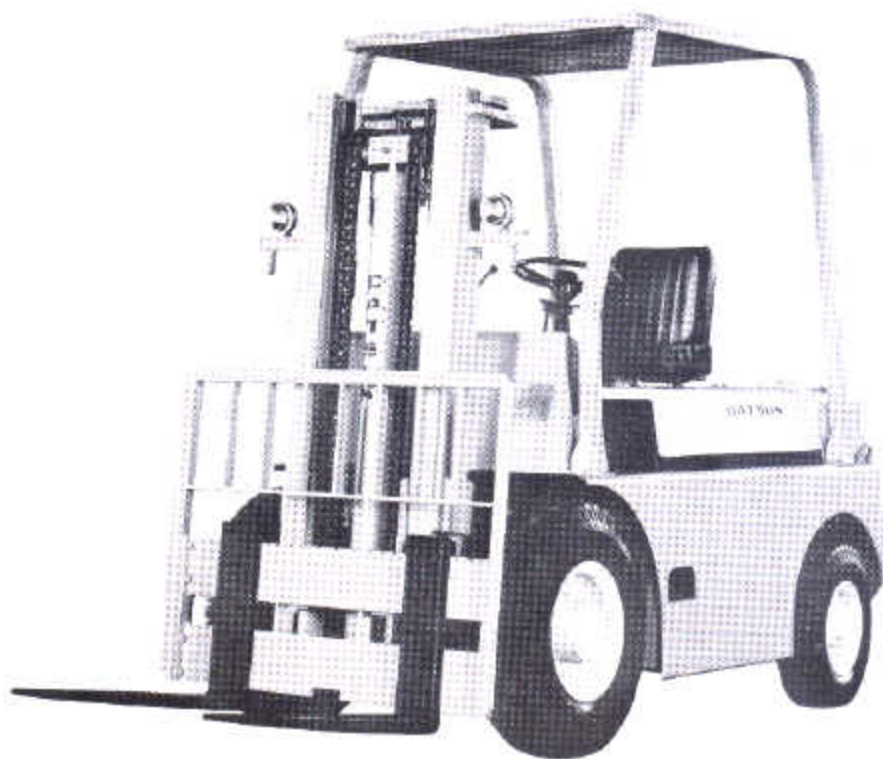
ENGINE FILTER — (1) Fuel filter in metallic bowl, (2) Full flow oil filter with replaceable type cartridge, and (3) Dry type replaceable air intake filter, pleated paper cartridge. Gas filler equipped with strainer.

TRANSMISSION — Fully automatic, power shifted, constant mesh transmission with heavy duty torque converter multiplies engine torque and reduces shock on drive shaft and gears. In addition to the former inching and brake pedal combination. The new model employs a brake pedal which is exclusively used for braking operation, 100 micron sump filter. All steel inching valve directs oil flow to proper selector. Transmission oil is cooled through a special radiator type oil cooler. Sump filter screen. Neutral starting switch with dash indicator light. Fully directional control lever mounted on steering column. Lever moves forward for forward movement, to reverse, the lever is pulled back.

DRIVE AXLE — Banjo type pressed, heavy duty, high tensile steel plate axle housing. Differential carrier is of a box type construction. Differential gears assembled completely within differential carrier for easy removal. Hypoid type straight bevel gear. Free floating axles.

WHEELS — Hydraulic, internal expanding (2 4 sq. in. brake lining. Dual wheel lever operated parking brake. Operated shaft drum.

ELECTRICAL SYSTEM — 12 Volt with 60 amp hour battery and heavy duty alternator. Regulator controls voltage. Key switch starter. Electric horn.



MEETS AND EXCEEDS ALL ANSI SPECIFICATIONS

THE DATSUN WARRANTY — 4 times better than most lift trucks sold. Covers parts and labor on the power train for one year or 2,000 hours, whichever comes first; the entire machine is covered by warranty for 6 months or 1,200 hours. (See warranty certificate for details.)

STEERING — Power steering is standard equipment. (Dual drive wheels optional).

INSTRUMENTS — Standard equipment includes engine hourmeter, transmission oil temperature and water temperature gauges, engine oil pressure, alternator charge, and neutral starting indicators. Headlights optional.

HYDRAULIC SYSTEM — Fully directional one lever lift and tilt control combination, full feathered spool provides excellent mast control. Gear driven pump. Gravity return type lift cylinder. All hydraulic hoses are steel braid reinforced. 100 Micron Sump Screen.

MAST & CARRIAGE — Heavy duty channel mast constructed to provide maximum strength and give excellent visibility. Hefty 6 roller carriage with side thrust rollers located to prevent binding

from off center loading. Chrome plated hydraulic lift cylinder. Self aligning cylinder head with adjustable guide rollers. Heavy duty lift chain (TA Class III) type carriage bars. Heat treated - upset forged forks. Free floating lift cylinder mounting.

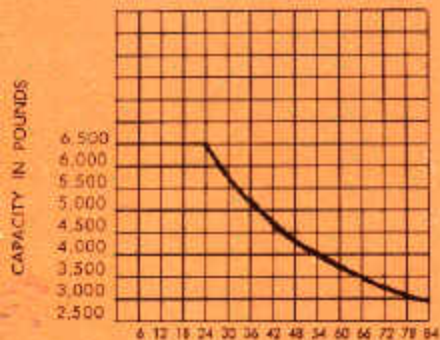
SEAT — Comfortable wide vinyl plastic covered bucket seat with contoured back rest. Horizontally adjustable 4 inches.

EXHAUST SYSTEM — Spark arrester muffler. Heavy gauge steel exhaust piping.

SAFETY FEATURES — Standard Equipment includes driver's overhead guard, load back rest conforming to ANSI B56.1 safety standards. Gas filler cap with strainer. U.L. approved G, LP, or D rated Paint - Datsun safety yellow and white. Other options available.

DATSUN P6.5B

CAPACITY CHART TO 120 INCHES LIFTING HGT.



LOAD CENTER IN INCHES FROM FRONT FACE OF FORKS

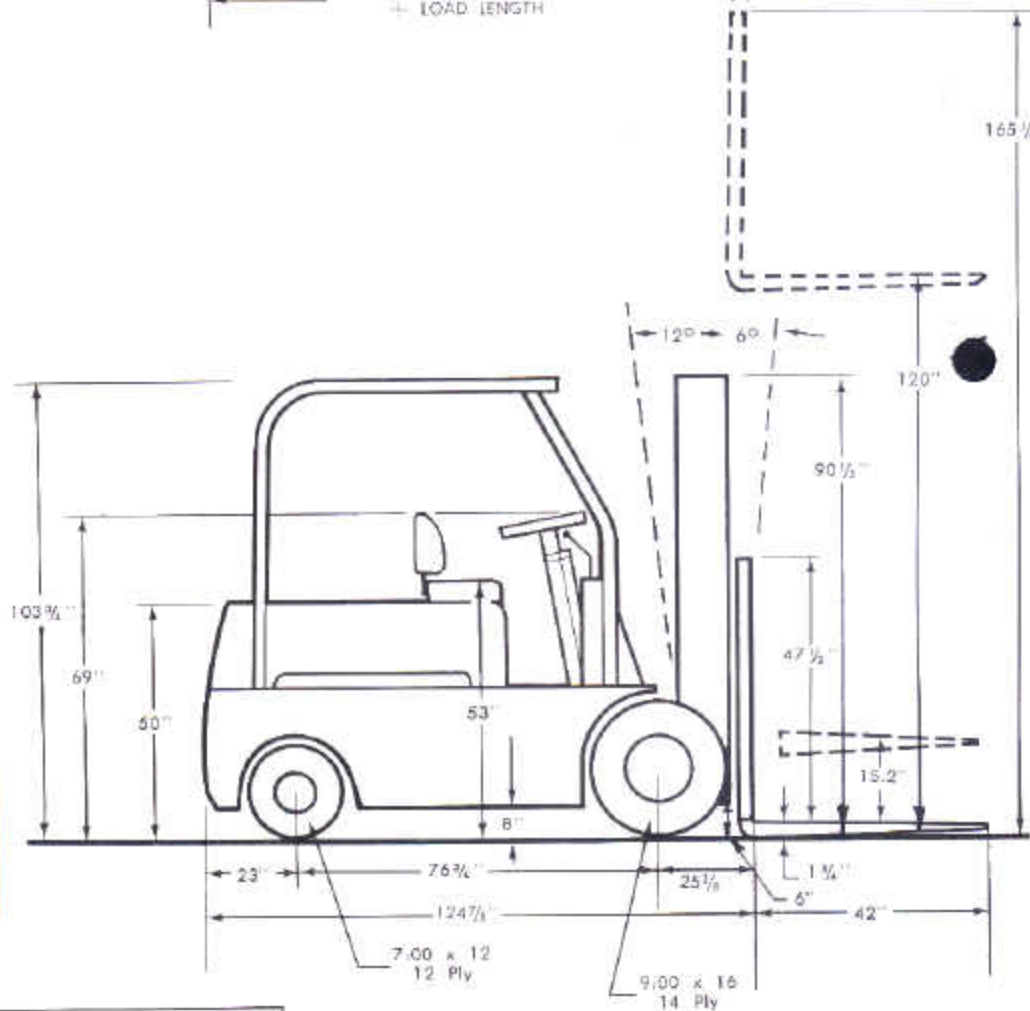
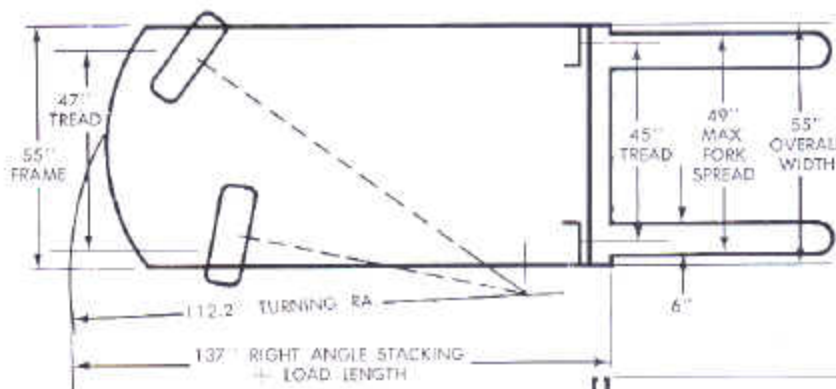
Above capacities are computed with upright in vertical position. Contact factory for capacity rating on lift heights above 120". Specific capacity is shown on truck name plate.

UPRIGHT DIMENSION TABLE

TYPE	QHL	MPH	FL
SIMPLEX	90	120	15.2
	110	160	15.2
DUPLEX			
TRIPLEX	75	140	40
	*98	215	58

* MUST HAVE TILT RESTRICTORS AND TRUCK RATING TAG.

OTHER HEIGHTS AVAILABLE - CONTACT FACTORY



RENTALS — LEASES — SALES — PARTS — SERVICE

DATSUN
FORKLIFTS

Nissan Industrial Equipment Co.
P. O. BOX 161404
2900 DATSUN DRIVE
(901) 396-5170
MEMPHIS, TENN. 38116

Revised 5-77
Printed in U.S.A.