



# **DISCOVERY SERIES**

## **PHO2 4000-6000lb. PNEUMATIC FORKLIFTS**

- Floating cab helps reduce driver fatigue by reducing vibration jolts and noise in driver compartment.
- Tilt steering wheel and adjustable seat increase total driver comfort and allow for improved control.
- Total hydrostatic steering reduces steering effort, eliminates kickback and provides more precise steering control.
- Safety features, including full light package, back-up alarm and rear view mirrors, are standard.
- Single lever tilt/lift control simplifies operation and training.
- Unique overhead air intake and filtration system for increased filter and engine life.
- Panoramic operator visibility improved with new mast and overhead guard design.
- Self adjusting braking system with new protective dust covers.
- Full gauges and indicator lights monitor vital mechanical components.

**NISSAN**

**DISCOVERY SERIES**

Nissan Industrial Equipment Company  
242 N. Prospect Street • Marengo, IL 60152 • (815) 568-0061

# DISCOVERY SERIES

## PHO2 4000-6000lb. PNEUMATIC FORKLIFTS

GENERAL	1	Manufacturer	Manufacturer's Name		NISSAN		NISSAN				
	2	Model	Manufacturer's Designation		P40Y		PD40Y				
	3	Capacity	Rated Capacity		4000		4000				
	4	Load Center	Distance		24		24				
	5	Power Type	Gas-LPG, Diesel or Electric		Gas-LPG		Diesel				
	6	Operator Type	Stand or Sit		Sit		Sit				
	7	Tire Type	Cushion or Pneumatic	front	rear	Pneumatic	Pneumatic	Pneumatic	Pneumatic		
	8	Wheels	Number (X=driven)		front	rear	2X	2	2X	2	
DIMENSIONS	9	Mast	Standard lift height (TOF)		in.		130		130		
	11		Standard Free Lift (TOF)		in.		10.5		10.5		
	13	Forks	Width x Thickness		in.		4 X 1.75		4 X 1.75		
	14	Tilt Angle	Standard Upright - Fwd		Bkwd		6	12	6	12	
	15	Overall Dimensions	Length to face of forks		in.		97.0		97.0		
	16		Width (Standard Tires)		in.		45.3		45.3		
	17		Height, Std upright lowered		in.		84.4		84.4		
	18		Height, Std upright extended		in.		179.3		179.3		
	19		Overhead Guard		in.		80.7		80.7		
	20		Height, Std Load Backrest		in.		48.0		48.0		
	21	Turning Radius	Minimum (Outside)		in.		84.6		84.6		
22	Overhang	Front*	Rear	in.		17.7	15.9	17.7	15.9		
23	Rt. Angle Stkg.	Add load length and clearance*		in.		102.4		102.4			
PERF.	24	Speeds	Travel Speed - Fwd		Rev	mph		11.8	11.8	11.5	11.5
	25		Lift Speed - w/load		no load	fpm		98.5	102.4	98.5	102.4
	26		Lowering Speed - w/load		no load	fpm		98.5	98.5	98.5	98.5
WT.	27	Drawbar Pull	Maximum, w/load		no load	lb.		3418	2426	3859	2536
	28	Gradeability	w/load	no load	%		25	24	31	24	
W & HTILES	30	Truck Weight	Std. Truck (no load)		lb.		7445		7610		
	31	Weight Dist.	Front Axle	Rear Axle	(no load)	lb.		3540	3905	3615	3995
	33	Tires	Size		Front		7 X 12 X 12PR		7 X 12 X 12PR		
	34		Rear		6 X 9 X 10PR		6 X 9 X 10PR				
	35	Wheelbase	Distance		in.		63.4		63.4		
	36	Tread - Ctr. of Tire	Single Tire - front	rear	in.		37.8	38.0	37.8	38.0	
	37		Double Tire - front		in.		46.5		46.5		
38	Ground Clearance	Lowest Point		in.		4.5		4.5			
P & TOWERS.	39	Service Brake	Type				Hydraulic Boosted		Hydraulic Boosted		
	40	Parking Brake	Type				Hand		Hand		
	41	Steering	Type				Hydrostatic		Hydrostatic		
P & TOWERS.	46	Internal Combustion Engine	Make/Model				H20		SD25		
	47		Rated Output	SAE Gross	HP/rpm	46 @ 2300		51 @ 2400			
	48		Rated Torque	SAE Gross	ft-lb/rpm	105 @ 1800		119 @ 1800			
	49		Displacement	cu. in.		120.94		151.82			
	50		Number of Speeds - Fwd	Rev			1	1	1	1	
51	Transmission	Type				Powershift		Powershift			

\* With a dupliex mast add .4". With a triplex mast add .6".

Nissan Forklifts meet or exceed all ANSI B56.1 Safety Standards for Powered Industrial Trucks and Underwriters Laboratories requirements as to fire hazard for gasoline, LP gas and diesel.

The performance specifications shown represent nominal values which may be obtained under typical operating conditions of machine. Performance with LPG fuel may be expected to be less than the performance values shown. Nissan products and specifications are subject to change without notice.

# DISCOVERY SERIES

## PHO2 4000-6000lb. PNEUMATIC FORKLIFTS

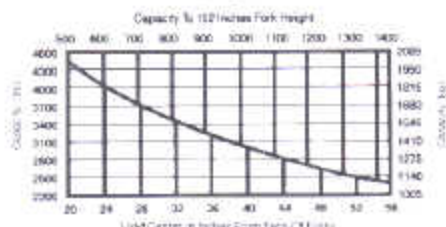
1	NISSAN		NISSAN		NISSAN		NISSAN	
2	P50Y		PD50Y		P60Y		PD60Y	
3	5000		5000		6000		6000	
4	24		24		24		24	
5	Gas-LPG		Diesel		Gas-LPG		Diesel	
6	Sit		Sit		Sit		Sit	
7	Pneumatic	Pneumatic	Pneumatic	Pneumatic	Pneumatic	Pneumatic	Pneumatic	Pneumatic
8	2X	2	2X	2	2X	2	2X	2
9	130		130		130		130	
11	10.5		10.5		12.4		12.4	
13	4 x 1.75		4 x 1.75		5 x 2		5 x 2	
14	6	12	6	12	6	12	6	12
15	99.6		99.6		107.9		107.9	
16	45.3		45.3		48.4		48.4	
17	84.4		84.4		85.2		85.2	
18	179.3		179.3		183.1		183.1	
19	80.7		80.7		81.3		81.3	
20	48.0		48.0		51.6		51.6	
21	87.4		87.4		95.3		95.3	
22	17.7	18.5	17.7	18.5	19.1	19.5	19.1	19.5
23	105.1		105.1		114.4		114.4	
24	11.8	11.8	11.5	11.5	11.5	11.5	11.2	11.2
25	98.5	102.4	98.5	102.4	94.5	96.5	80.7	82.7
26	98.5	98.5	98.5	98.5	98.5	88.6	98.5	88.6
27	3418	2426	3859	2426	4410	2756	4190	2756
28	22	20	27	20	25	21	22	21
30	8195		8360		9160		9340	
31	3380	4815	3455	4905	3860	5300	3950	5390
33	7 x 12 x 12PR		7 x 12 x 12PR		28 x 9-15 x 12PR		28 x 9-15 x 12PR	
34	6 x 9 x 10PR		6 x 9 x 10PR		6.5 x 10 x 10PR		6.5 x 10 x 10PR	
35	63.4		63.4		69.3		69.3	
36	37.8	38.0	37.8	38.0	39.4	38.2	39.4	38.2
37	46.5		46.5		46.5		46.5	
38	4.5		4.5		5.1		5.1	
39	Hydraulic Boosted		Hydraulic Boosted		Hydraulic Boosted		Hydraulic Boosted	
40	Hand		Hand		Hand		Hand	
41	Hydrostatic		Hydrostatic		Hydrostatic		Hydrostatic	
46	H20		SD25		Z24		SD25	
47	46 @ 2300		51 @ 2400		54 @ 2400		51 @ 2400	
48	105 @ 1800		119 @ 1800		126 @ 1800		119 @ 1800	
49	120.94		151.82		145.72		151.82	
50	1	1	1	1	1	1	1	1
51	Powershift		Powershift		Powershift		Powershift	

\* With a duplex mast add .4". With a triplex mast .6".

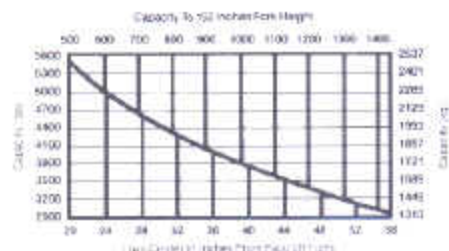
Nissan Forklifts meet or exceed all ANSI B56.1 Safety Standards for Powered Industrial Trucks and Underwriters Laboratories requirements as to fire hazard for gasoline, LP gas and diesel.

The performance specifications shown represent nominal values which may be obtained under typical operating conditions of machine. Performance with LPG fuel may be expected to be less than the performance values shown. Nissan products and specifications are subject to change without notice.

### P40



### P50



Capacities shown are computed with masts in vertical position and apply to trucks with wide view masts with maximum fork height up to 157". For capacities above 157" on wide view masts and all triplex masts please contact factory

### P40/P50 AVAILABLE MAST SIZES

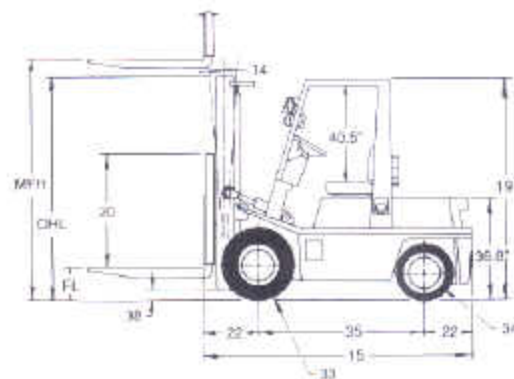
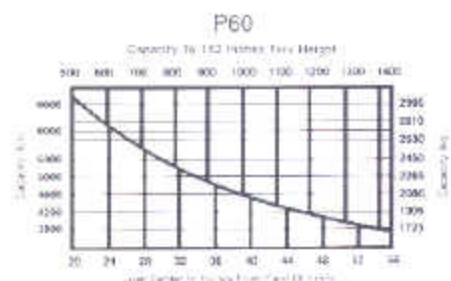
Mast Type	GHL		MTH		FL	
Wide View						
W106	73 in	1,845 mm	106 in	2,700 mm	10 in	265 mm
W130	84.4 in	2,145 mm	130 in	3,300 mm	10 in	265 mm
W146	95 in	2,405 mm	146 in	3,700 mm	10 in	265 mm
W167	102 in	2,595 mm	167 in	4,000 mm	10 in	265 mm
W177	112 in	2,845 mm	177 in	4,500 mm	10 in	265 mm
W197	122 in	3,095 mm	197 in	5,000 mm	10 in	265 mm
Duplex						
D106	73 in	1,845 mm	106 in	2,700 mm	48 in	1,215 mm
D130	84.4 in	2,145 mm	130 in	3,300 mm	60 in	1,515 mm
Triplex						
T152	73 in	1,845 mm	152 in	3,850 mm	48 in	1,225 mm
T169	79 in	1,995 mm	169 in	4,300 mm	54 in	1,375 mm
T187	84.4 in	2,145 mm	187 in	4,750 mm	60 in	1,525 mm
T203	90 in	2,280 mm	203 in	5,150 mm	65 in	1,660 mm
T217	95 in	2,405 mm	217 in	5,500 mm	70 in	1,785 mm
T236	102 in	2,595 mm	236 in	6,000 mm	78 in	1,975 mm

\*Standard

### P60 AVAILABLE MAST SIZES

Mast Type	GHL		MTH		FL	
Wide View						
W106	74 in	1,880 mm	106 in	2,692 mm	12.4 in	315 mm
W130	85 in	2,150 mm	130 in	3,300 mm	12.4 in	315 mm
W146	95 in	2,438 mm	146 in	3,738 mm	12.4 in	315 mm
W167	103 in	2,595 mm	167 in	3,989 mm	12.4 in	315 mm
W177	113 in	2,870 mm	177 in	4,496 mm	12.4 in	315 mm
W197	123 in	3,124 mm	197 in	5,014 mm	12.4 in	315 mm
Duplex						
D106	74 in	1,880 mm	106 in	2,692 mm	48 in	1,219 mm
D130	85 in	2,150 mm	130 in	3,300 mm	60 in	1,524 mm
Triplex						
T152	74 in	1,880 mm	152 in	3,861 mm	48 in	1,219 mm
T169	80 in	2,010 mm	169 in	4,293 mm	54 in	1,372 mm
T187	85 in	2,150 mm	187 in	4,750 mm	60 in	1,524 mm
T203	91 in	2,311 mm	203 in	5,156 mm	65 in	1,661 mm
T217	95 in	2,438 mm	217 in	5,512 mm	70 in	1,778 mm
T236	103 in	2,616 mm	236 in	5,994 mm	77 in	1,956 mm

\*Standard



The performance shown represents nominal values which may be obtained under typical operating conditions of machine. Performance with LPG fuel may be expected to less than the performance values shown. Nissan products and specifications are subject to change without notice.

Ted B. Miller Co. Inc.  
Hwy. 92 E Bcx 46J  
Gering, NE 69341

**NISSAN**  
**NISSAN**  
**FORKLIFT**