

NISSAN
FORKLIFT
C-60

Cushion tire lift truck.
 Powered by Nissan Z-24 overhead
 valve engine for gasoline and LPG.
 Nissan SD-25 diesel engine option
 available.



- Floating cab helps reduce driver fatigue by reducing vibration jolts and noise in driver compartment.
- Tilt steering wheel and adjustable seat increase total driver comfort and allow for improved control.
- Total hydrostatic steering reduces steering effort, eliminates kickback and provides more precise steering control.
- Safety features, including full light package, back-up alarm and rear view mirrors, are standard.
- Full gauges and indicator lights monitor vital mechanical components.
- Single lever tilt/lift control simplifies operation and training.
- Unique overhead air intake and filtration system for increased filter and engine life.
- Panoramic operator visibility improved with new mast and overhead guard design.
- Power assisted, self adjusting braking system with new protective dust covers.

Capacity	6000 lbs @24"	3000 kg @ 500 mm
Service Weight	9350 lbs	4240 kg
Length (less forks)	93.7 in.	2380 mm
Height (overhead guard)	78.9 in.	2005 mm
Width	43.3 in.	1100 mm
Turning Radius	81.7 in.	2075 mm
Right Angle Stacking*	98.4 in.	2500 mm
Travel Speed	10.9 mph	17.5 km/h
Lifting Speed (empty)	98.5 fpm	500 mm/s
(loaded)	94.5 fpm	480 mm/s
Tires (drive)	22" x 8" x 16"	
(steer)	18" x 5" x 12.1"	

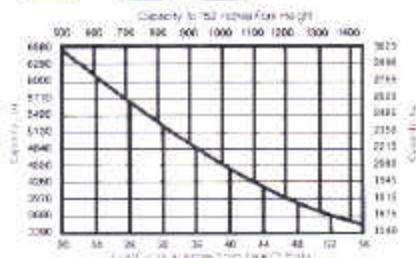
* Add load length.

NISSAN

DISCOVERY *SERIES*

Nissan Industrial Equipment Company
 2900 Datsun Drive • P.O. Box 161404 • Memphis, TN 38116 • (901) 396-5170

C-60^{CH02}



Capacities shown are computed with masts in vertical position and apply to trucks with triplex masts with maximum fork height up to 152". For capacities above 152" on triplex masts and all other masts please contact factory.

NISSAN ENGINES

Model	Z24	SD25
Cylinders	4	4
Bore X Stroke	3.5 x 3.75 89 x 96	3.5 x 3.94 89 x 100
Valves	OHC	OHV
Displacement (CU IN/CC)	145.8/2389	151.8/2485
Max. Output (SAE HP @ rpm/lb @ rpm)	49.3@2400/50@2400	49.3@2400/50@2400
Max. Torque (lb-ft @ rpm, Kg-m @ rpm)	123@1800/17@1800	116@1800/16@1800

LIQUID CAPACITIES

	Gasoline		Diesel	
	U.S. Measure	Liters	U.S. Measure	Liters
Hydraulic Oil Tank	15.5 gal.	58 L	15.9 gal.	58 L
Differential Oil	.8 gal.	3 L	.8 gal.	3 L
Engine Oil	1 gal.	3.7	2.4 gal.	9 L
Fuel Tank	16.5 gal.	62.5 L	16.5 gal.	62.5 L
Cooling System	2.0 gal.	7.8 L	2.5 gal.	9.6 L
Transmission Oil	2.8 gal.	10.5 L	2.8 gal.	10.5 L

AVAILABLE MAST SIZES

Mast Type	DHL		MFH		FL	
	in	mm	in	mm	in	mm
Wide View						
2H270	71 in	1803 mm	106 in	2692 mm	12 in	305 mm
2H330	83 in	2109 mm	130 in	3300 mm	12 in	305 mm
2H370	93 in	2362 mm	146 in	3708 mm	12 in	305 mm
2H400	101 in	2565 mm	157 in	3988 mm	12 in	305 mm
2H450	111 in	2819 mm	177 in	4495 mm	12 in	305 mm
2H500	121 in	3073 mm	196 in	4978 mm	12 in	305 mm
Duplex						
2F250	67 in	1701 mm	99 in	2489 mm	42 in	1065 mm
2F270	71 in	1803 mm	106 in	2692 mm	46 in	1168 mm
2F330	83 in	2109 mm	130 in	3300 mm	58 in	1473 mm
Triplex						
3F385	71 in	1803 mm	152 in	3860 mm	46 in	1168 mm
3F430	77 in	1955 mm	189 in	4293 mm	52 in	1321 mm
3F475	85 in	2108 mm	187 in	4750 mm	59 in	1473 mm
3F515	89 in	2260 mm	203 in	5156 mm	63 in	1600 mm
3F560	93 in	2362 mm	217 in	5512 mm	68 in	1727 mm
3F600	101 in	2565 mm	236 in	5994 mm	75 in	1900 mm

* Standard



Nissan Forklifts meet or exceed all ANSI B56.1 Safety Standards for Powered Industrial Trucks and Underwriters' Laboratories requirements as to fire hazard for gasoline, LP gas, and diesel.

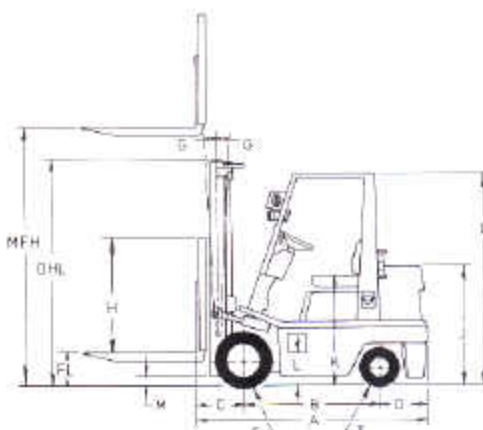
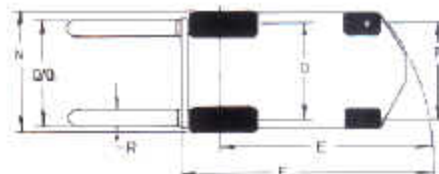
PERFORMANCE SPECIFICATIONS

	Gasoline		Diesel	
	ft/min	mm/s	ft/min	mm/s
Lift speed (empty)	98.5 fpm	500 mm/s	100.4 fpm	510 mm/s
Lift speed (rated load)	94.5 fpm	480 mm/s	96.5 fpm	490 mm/s
Lowering speed (empty)	86.6 fpm	450 mm/s	88.6 fpm	450 mm/s
Lowering speed (rated load)	98.5 fpm	500 mm/s	98.5 fpm	500 mm/s
Travel speed	10.9 mph	17.5 km/h	6.2 mph	10.0 km/h
Gradeability (empty)	18		18	
Gradeability (rated load)	43		38	
Drawbar pull (empty)	2426 lbs	1100 kg	2420 lbs	1100 kg
Drawbar pull (rated load)	6946 lbs	3150 kg	6729 lbs	3050 kg

DIMENSIONAL SPECIFICATIONS

A Length (less forks)	53.7 in	2380 mm
B Wheel base	59.1 in	1500 mm
C Front overhang*	16.7 in	425 mm
D Rear overhang	17.9 in	455 mm
E Minimum outside turning radius*	81.7 in	2075 mm
F Right angle stacking axis (add load length)	98.4 in	2500 mm
G Tilt (F/R), degrees	3°/10°	
H Height, load backrest (std)	45 in	1143 mm
I Height, overhead guard	79.9 in	2005 mm
J Height, counter weight	44.1 in	1120 mm
K Height, seat	58.4 in	975 mm
L Height, step	12.8 in	325 mm
M Mast under clearance	3.1 in	80 mm
N Overall width	43.3 in	1100 mm
O Drive tread	35.2 in	895 mm
P Door tread	36.6 in	930 mm
Q Carriage width	40.2 in	1220 mm
R Maximum fork spread	40 in	1015 mm
S Fork Size (Class I)	2" x 5"	
T Drive line	22" x 8" x 16"	
U Steering	18" x 5" x 12 1/2"	

*With Triplex—Add 4"
With Duplex—Add 8"



The performance shown represents nominal values which may be obtained under typical operating conditions of machine. Performance with LPG fuel may be expected to rise if the performance values shown, Nissan products and specifications are subject to improvement without notice.

TED B. MILLER CO. INC.
Hwy 92 East
P.O. Box 460
Gering, Nebr. 69341

