

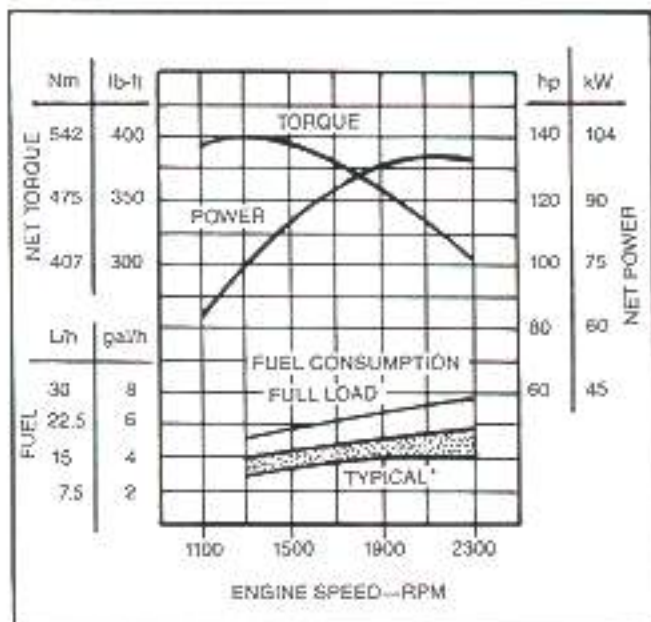


670B MOTOR GRADER



Model shown may include options

ENGINE PERFORMANCE



*Depending on operating variables

FEATURES

135 SAE net hp (101 kW) turbocharged John Deere diesel engine

27,150 to 33,150 lb. (12 315 to 15 490 kg) operating weight with typical options and special equipment

Planetary power shift transmission; 8 speeds forward, 4 reverse

Articulated frame steering

Power wet-disk brakes and differential lock-unlock

Hydraulic control of all blade and machine functions—lockout valves prevent blade drift - blade float adds versatility

12-ft. (3.65 m) moldboard with 0.62 x 6 in. (16 x 152 mm) through-hardened Dura-Max[®] cutting edge

7-position lift arms allow blade positioning for 90-degree bank cuts, left or right, in approximately one minute

Cab or canopy with integral rollover protective structure (ROPS)

New, fully adjustable control console and tilt steering wheel

Dual level monitor system improves machine protection

ADD VERSATILITY WITH:

- Scarifier
- Rear-mounted ripper
- Snow plow and wing
- Dozer blade

TED B. MILLER, INC., 222,
 Hwy. 68, Box 1
 P.O. Box 430
 Gering, Nebr. 69341

670B MOTOR GRADER SPECIFICATIONS

SAE Operating Weight	On Front Wheels	On Rear Wheels	Total
Standard equipment	8000 lb. (3629 kg)	19,150 lb. (8686 kg)	27,150 lb. (12,315 kg)
Standard equipment and scarifier	9940 lb. (4509 kg)	18,940 lb. (8591 kg)	28,880 lb. (13,100 kg)
Standard equipment scarifier and ripper	9210 lb. (4178 kg)	22,170 lb. (10,056 kg)	31,380 lb. (14,234 kg)

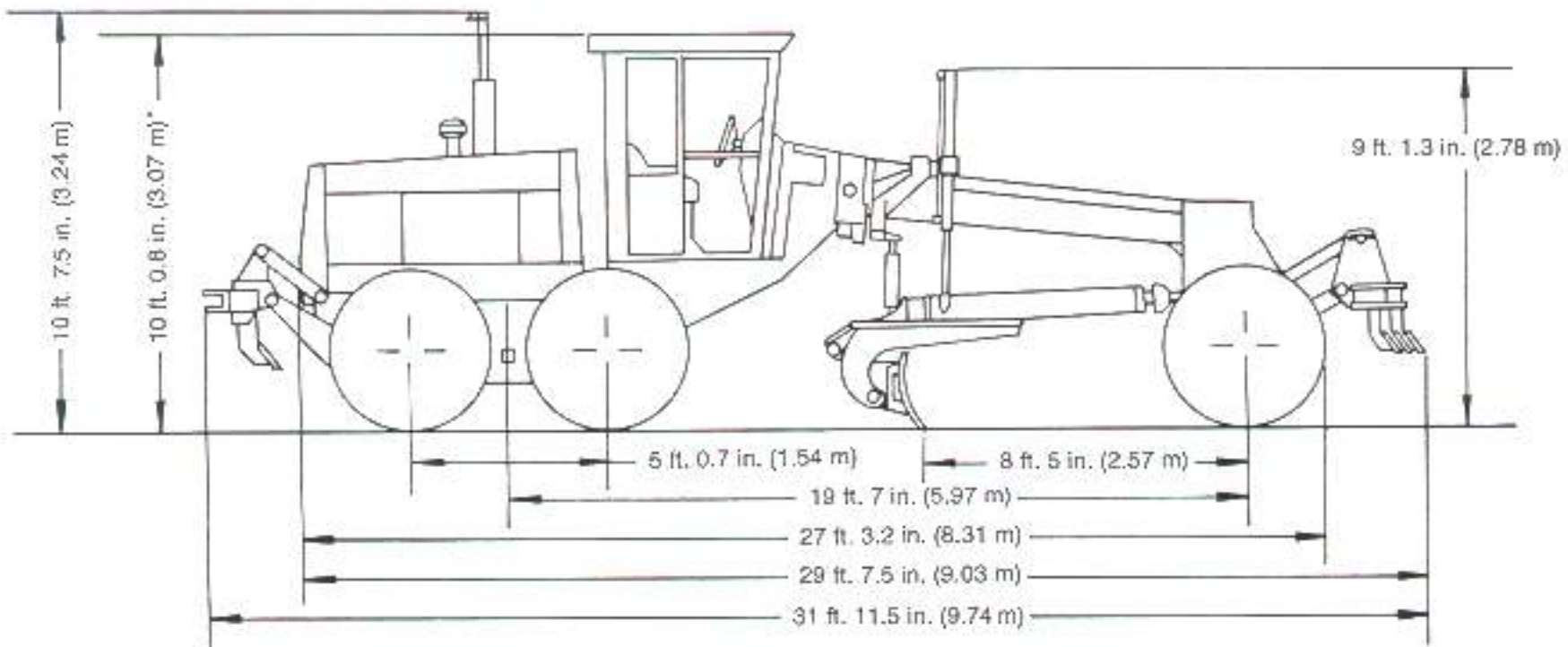
Optional or Special Equipment with Approximate Weights:

(Add these weights to SAE standard equipment operating weight to obtain total operating weights.)

	lb.	kg
Air conditioner w/heavy-duty alternator	177	80
Alternator, 50 amp	17	8
Auxiliary function valve (rear mounted)	50	23
Blade, front dozer	1490	676
Bottom guard, general purpose	170	77
Bottom guard, heavy-duty w/rear hitch	610	277
Cab, full height with ROPS	82	37
Canopy, low profile w/ROPS	-226	-103
Cold-weather starting aid	3	1
Control conversion (moves LH blade control to RH side)	0	0
Dura-Max through-hardened cutting edge, 3/4 x 8 in. (19 x 203 mm)	8.5 lb/ft	(13 kg/m)
Engine side shields	50	23
Fan, defroster	4	2
Heater, coolant	2	1
Heater, cab, 20,000 Btu/hr (5.9 kW)	16	7
Heater, cab, 40,000 Btu/hr (11.7 kW)	31	14
Heater, roof-mounted, 25,000 Btu/hr (7.3 kW) (add to air conditioner)	17	8
Hydraulic pump, pressure controlled, variable displacement, 6.00 in ³ (98 cm ³) 54.8 gpm (207 L/min) @ 2300 engine rpm	50	23
Lights, 2 blade	4	2
Lights, work, 2 front/2 rear floods	12	5
Mat, floor	9	4
Mirrors, outside, rearview, flat, both sides	12	5
Moldboard w/through hardened Dura-Max cutting edges:		
12-ft (3.66 m) w/3/4 x 8 in. (19 x 203 mm) cutting edge	106	48
13-ft (3.96 m) w/5/8 x 6 in. (16 x 152 mm) cutting edge	60	27
13-ft (3.96 m) w/3/4 x 8 in. (19 x 203 mm) cutting edge	116	53
14-ft (4.27 m) w/5/8 x 6 in. (16 x 152 mm) cutting edge	146	66
14-ft (4.27 m) w/3/4 x 8 in. (19 x 203 mm) cutting edge	155	70
Moldboard extensions, 2-ft. (610 mm), right or left (less cutting edge)	220	100
Overlay end bits (1 pair), 6 in. (152 mm)	62	28
Overlay end bits (1 pair), 8 in. (203 mm)	77	35
Rear hitch	67	30
Rims for 17.50-25 tires	674	306
Ripper, rear mounted with hitch and 3 shanks	2500	1134
Scarifier with five teeth, 1 x 3 in. (25 x 76 mm)	1730	785
Seat belt, 3-in. (76 mm)	3	1
Seat, deluxe suspension, cloth covered	90	41
Seat, deluxe suspension, vinyl covered	90	41

Tires:	lb.	kg
13.00-24, 8 PR, G2	—	—
13.00-24, 12 PR, G2	60	27
14.00-24, 10 PR, G2	194	88
14.00-24, 12 PR, G2	270	122
17.50-25, 12 PR, L2	528	239
Toolbox	11	5
Washer, front and rear windshield	3	1
Weight, front	600	272
Wiper, rear window	5	2

670B MOTOR GRADER DIMENSIONS



*Add 8.3 in. (210 mm) for full height cab
Add 1.0 in. (25.4 mm) for cab with air conditioning

