



JOHN DEERE 50 Backhoe

FEATURES

Mounts in conjunction with John Deere Wheel Loaders, Crawler Loaders and Crawler-Dozers

Two levers provide fast, simultaneous control of all digging functions

205-degree working arc of swing

13-1/2-foot digging depth

16-1/2-foot reach from center of swing

20,000 pounds of pry-out pressure

Bucket linkage adjustable for all jobs

Choice of eleven buckets

SPECIFICATIONS

(Specifications and design subject to change without notice)

Maximum Digging

Depth..... 13 ft. 6 in.

Maximum Reach at Ground Level

(from center of swing cylinder)..... 16 ft. 6 in.

Maximum Loading Clearance

(bucket closed)..... 11 ft.

Maximum Swing..... 205 degrees

Hydraulic System:

System Relief Valve 2000 psi

Pump Capacity..... 24 gpm

Filter..... Dual (Micronic and wire mesh)

Control Valves..... Stack type

Hydraulic Cylinders:

Boom..... 4 x 32-3/8 inches

Crowd..... 4 x 32-3/8 inches

Bucket..... 3-1/2 x 27-1/4 inches

Swing..... Rotary vane type

Stabilizers..... Two 3 x 14 inches

Bucket Arc..... 155 or 170 degrees

Bucket Roll-Back..... 27 or 45 degrees

Digging Force..... 8,200 lbs.

Pry-out Pressure..... 20,000 lbs.

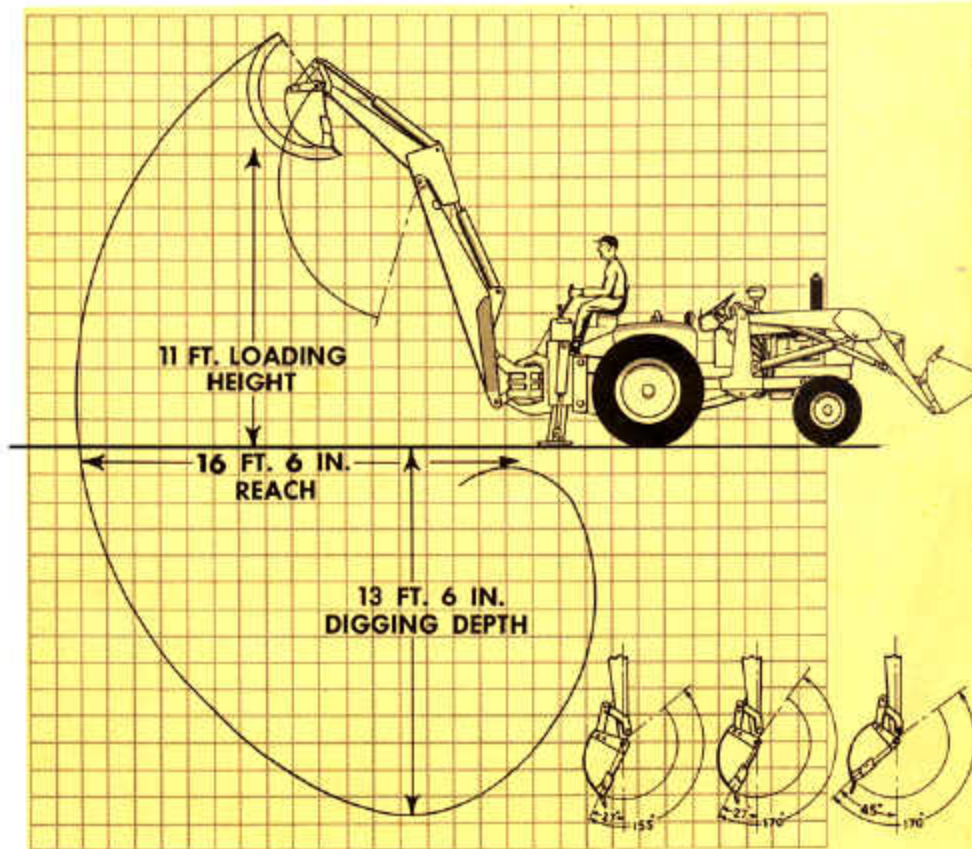
Controls..... Two-lever

Bucket Sizes Available 12-, 14-, 16-, 18-, 20-, 24-, 30-, 36-, 38-inch; 18- and 24-inch heavy-duty buckets

Removal Time..... Approx. 5 minutes

Transport Height..... 11 ft. 2 in., Max.

Shipping Weight (exclusive of Bucket and Mounting Parts)..... Approx. 2455 lb.



TED B. MILLER CO., INC.
GERING, NEB.

8-11-1

50 Backhoe

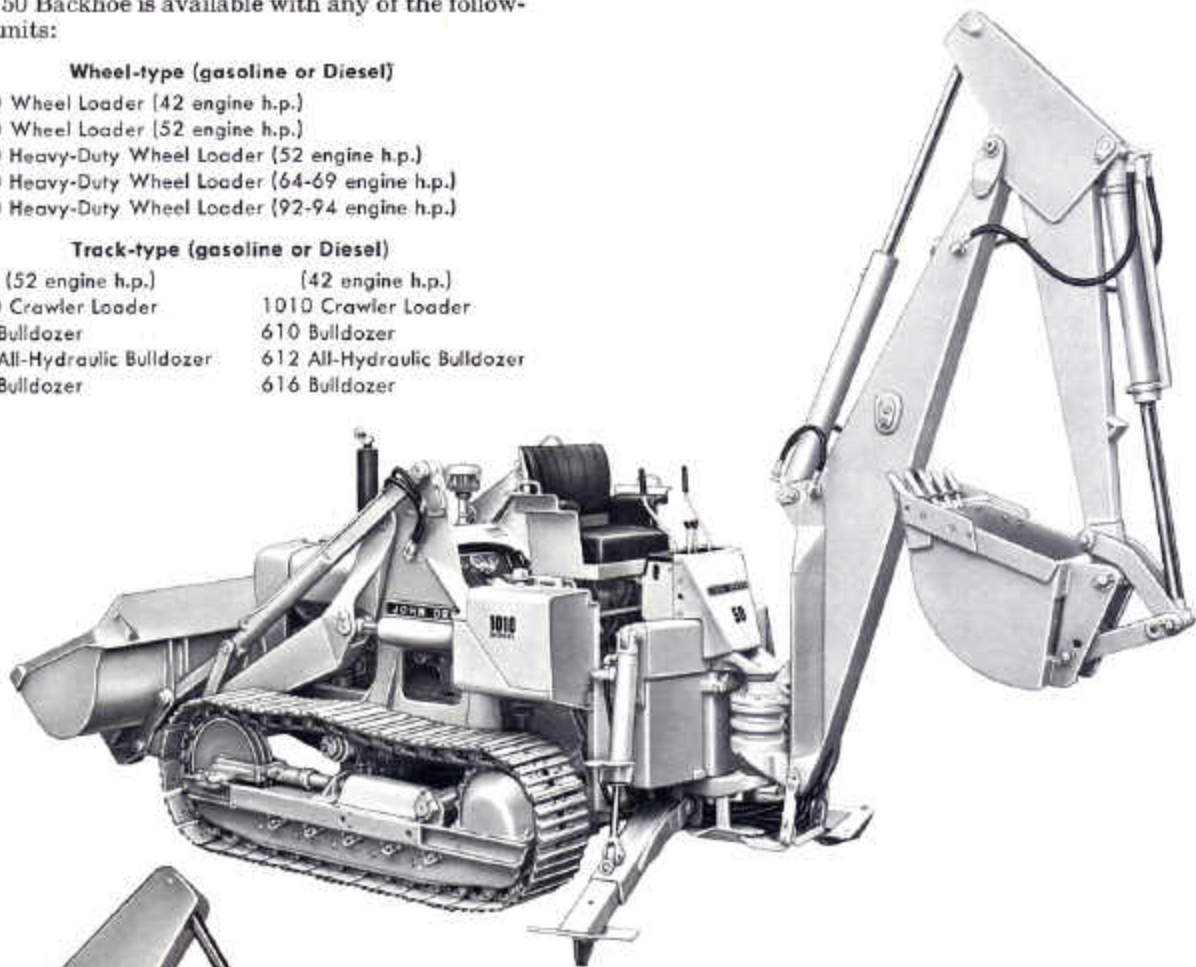
The 50 Backhoe is available with any of the following units:

Wheel-type (gasoline or Diesel)

- 1010 Wheel Loader (42 engine h.p.)
- 2010 Wheel Loader (52 engine h.p.)
- 2010 Heavy-Duty Wheel Loader (52 engine h.p.)
- 3010 Heavy-Duty Wheel Loader (64-69 engine h.p.)
- 4010 Heavy-Duty Wheel Loader (92-94 engine h.p.)

Track-type (gasoline or Diesel)

- | | |
|-----------------------------|-----------------------------|
| (52 engine h.p.) | (42 engine h.p.) |
| 2010 Crawler Loader | 1010 Crawler Loader |
| 620 Bulldozer | 610 Bulldozer |
| 622 All-Hydraulic Bulldozer | 612 All-Hydraulic Bulldozer |
| 626 Bulldozer | 616 Bulldozer |



1010 Crawler Loader with 50 Backhoe

When the backhoe is used with 1010 Crawler units, the crawler seat is equipped with over-center linkage and turn-around feature.

2010 Crawler Loader with 50 Backhoe

For use with 2010 Crawler units or wheel-type units, the backhoe is equipped with a fiber glass seat.

