



# 146 LOADER FOR GENERAL PURPOSE TRACTORS\*



Model shown may include options

## FEATURES

High-tensile steel used in loader and frame for durability and longer life

Single-lever independent control valve with "float" position, provides ease of operation

Regenerative circuit provides fast, even dump speeds

Parking stand allows loader to be easily detached and remounted

Double-acting lift and bucket cylinders

Top surface of bucket parallel to cutting edge — allows bucket to be accurately positioned

Designed for John Deere tractors—ensures loader/tractor compatibility

Independent loader valve plumbs directly into main tractor hydraulics for improved efficiency

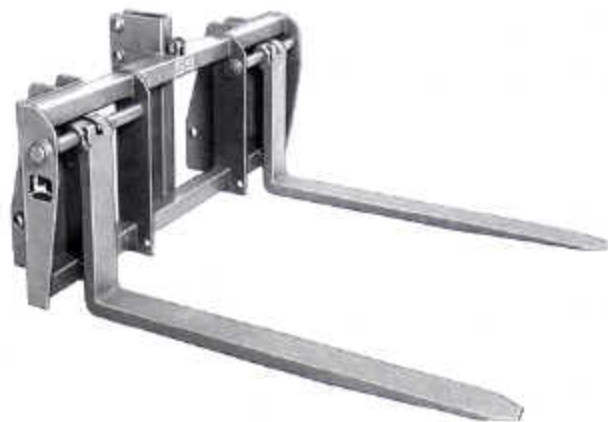
\*For use on 2WD models only.

**TED B. MILLER CO. INC.**  
Hwy 92 East  
P.O. Box 460  
Gering, Nebr. 69341

## ADD VERSATILITY WITH:

### 59 Forklift

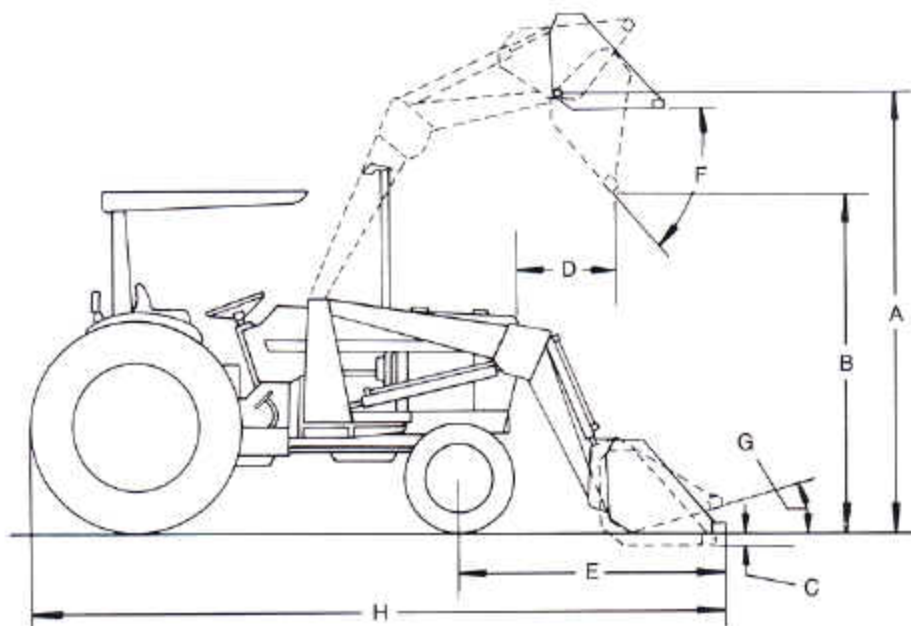
- Attaches to 146 Loader or tractor 3-point hitch
- Tines adjustable 22 to 48 inches (559 to 711 mm)
- Width—55.5 in. (1.41 m); length—60 in. (1.52 m); height—29 in. (737 mm); weight—407 lb. (185 kg)
- Telescoping boom attachment extends 64 to 94 in. (1.63 to 2.39 m). Boom lift capacity—1600 lb. (727 kg)



# 146 LOADER FOR GENERAL PURPOSE TRACTOR SPECIFICATIONS

Loader specifications subject to change without notice. Wherever applicable, loader specifications are in accordance with SAE Standards. Except where otherwise noted, these specifications are based on a 2155 Tractor with 7.50-16 in. front tires and 18.4-24 in. rear tires; a 2355 Tractor with 7.50-16 in. front tires and 18.4-28 in. rear tires; 2555 Tractor with 7.50-16 in. front tires and 18.4-28 rear tires; a 2755 Tractor (Sound-Gard® body) with 7.50-16 in. front tires and 18.4-30 in. rear tires. Loader specifications vary with tire size.

## OPERATING INFORMATION



	2155 GPT*	2355 GPT*	2555 GPT*	2755 GPT*	2755 GPT WITH SOUND-GARD BODY
A. Height to hinge pin fully raised	125.6 in. (3190 mm)	125.6 in. (3190 mm)	125.6 in. (3190 mm)	124.8 in. (3170 mm)	124.5 in. (3162 mm)
B. Clearance with bucket dumped	101.4 in. (2578 mm)	101.5 in. (2578 mm)	101.5 in. (2578 mm)	100.7 in. (2559 mm)	97.9 in. (2488 mm)
C. Digging depth	2.8 in. (70 mm)	2.8 in. (70 mm)	2.8 in. (70 mm)	4.2 in. (107 mm)	4.9 in. (125 mm)
D. Reach @ maximum height and dumped	32.0 in. (814 mm)	29.3 in. (744 mm)	29.3 in. (744 mm)	29.3 in. (744 mm)	40.8 in. (1036 mm)
E. Reach @ ground and level	79.1 in. (2008 mm)	64.6 in. (1642 mm)	64.6 in. (1642 mm)	64.8 in. (1647 mm)	76.3 in. (1938 mm)
F. Maximum dump angle	39 degrees	39 degrees	39 degrees	39 degrees	39 degrees
G. Rollback angle on ground	16 degrees	16 degrees	16 degrees	14 degrees	14 degrees
H. Overall length	179.6 in. (4563 mm)	175.7 in. (4463 mm)	175.7 in. (4463 mm)	184.7 in. (4691 mm)	197.2 in. (5009 mm)

\*Actual dimensions may vary slightly for cab-equipped units.

Note: Refer to Operator's Manual for recommended rear ballast

CAPACITIES:	2155 GPT	2355 GPT	2555 GPT	2755 GPT	2755 GPT WITH SOUND-GARD BODY
Lift capacity, full height	2800 lb. (1270 kg)	2800 lb. (1270 kg)	2800 lb. (1270 kg)	2800 lb. (1270 kg)	2800 lb. (1270 kg)
Breakout force	4000 lb. (17.8 kN) (1815 kg)	4000 lb. (17.8 kN) (1815 kg)	4000 lb. (17.8 kN) (1815 kg)	4045 lb. (17.9 kN) (1835 kg)	4060 lb. (18.1 kN) (1840 kg)

CYCLE TIMES:	13 gpm Pump	23 gpm Pump
Loader raising time	5.2 sec.	3.3 sec.
Loader lowering time (using hydraulics)	4.1 sec.	3.2 sec.
Bucket dump time	3.1 sec.	2.5 sec.
Bucket rollback time	3.4 sec.	3.4 sec.

HYDRAULIC CYLINDERS:	Bore	Rod Dia.	Stroke
Boom	2.25 in. (57 mm)	1.50 in. (38 mm)	33.28 in. (845 mm)
Bucket	2.25 in. (57 mm)	1.50 in. (38 mm)	24.24 in. (616 mm)

BUCKETS:	Nominal Heaped Capacity
Width	
60 in. (1524 mm)	5/8 cu. yd. (0.47 m³)
72 in. (1829 mm)	3/4 cu. yd. (0.57 m³)
84 in. (2134 mm)	7/8 cu. yd. (0.66 m³)

**Optional Equipment:**  
 72 or 84 in. (1829 or 2123 mm) materials bucket  
 (60 in. [1524 mm] materials bucket is standard equipment.)  
 Bolt-on bucket side-cutting edges  
 Bucket level indicator  
 Forklift attachment (Model 59)  
 Telescoping boom attachment for forklift