



401B UTILITY LOADER

FEATURES

62 SAE net hp (46.2 kW)

Entire loader assembly can be quickly detached and remounted

Low center of gravity (Turf Loader)

Adjustable front and rear tread

8-speed transmission w/hydraulic direction reverser

Self-adjusting wet-disk brakes

Inboard planetary final drives

Foot-operated differential lock

Power steering

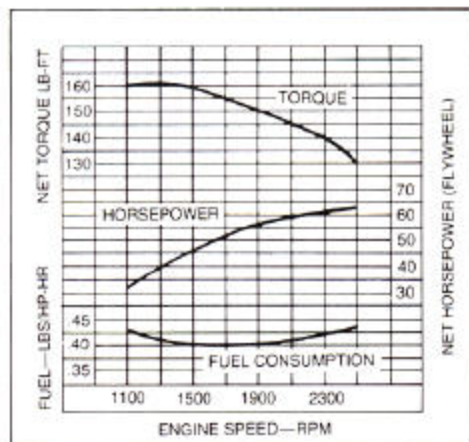
Roll-over protective structure (ROPS)

ADD VERSATILITY WITH:

Mowers

Landscape tools

ENGINE PERFORMANCE

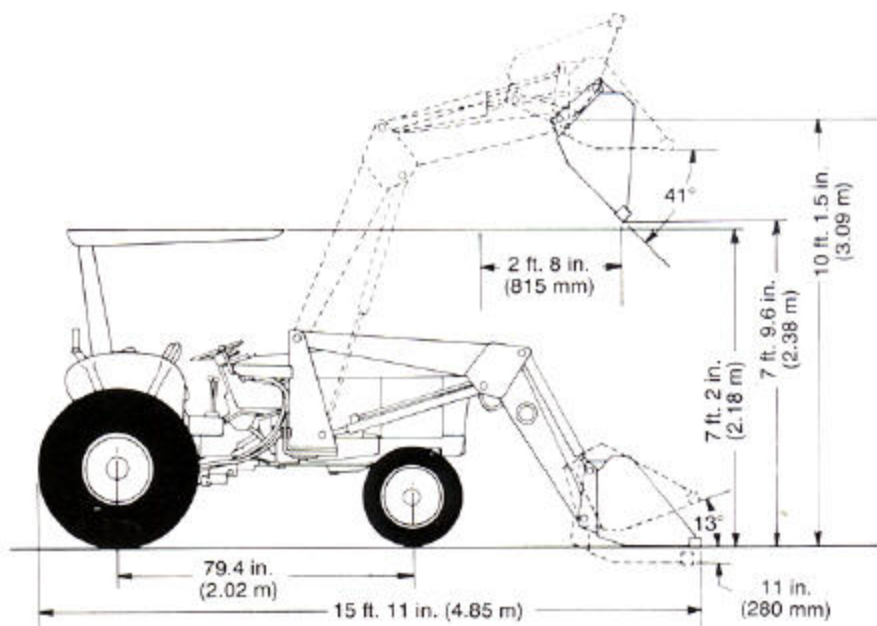


LOADER SPECIFICATIONS

Buckets:	Nominal Heaped Capacity	Width
	¾ cu. yd. (0.57 m ³)	73.8 in. (1.58 m)

Operating Information:

Breakout force	4000 lb. (17.92 kN) (1815 kg)
Lifting capacity, full height	2500 lb. (1134 kg)
Raising time to full height	5.1 sec.
Bucket dump time	2.9 sec.
Lowering time (power)	3.0 sec.
Rollback time	2.6 sec.
Float-down time	6.1 sec.
Minimum recommended rear ballast	2000 lb. (910 kg)



401B UTILITY LOADER SPECIFICATIONS

(Specifications and design subject to change without notice. Wherever applicable, specifications are in accordance with ICED and SAE Standards. Except where otherwise noted, these specifications are based on a unit equipped with 14.9-24, 6-ply-rating rear tires; 7.50/8.00-16, 6-ply-rating front tires; 3/4 cu. yd. (0.57 m³) bucket; and standard equipment.)

Power (@ 2500 engine rpm):	SAE	DIN
Gross	66 hp (49.2 kW)	
Net	62 hp (46.2 kW)	65.9 PS

Net engine flywheel power is for an engine equipped with fan, air cleaner, water pump, lubricating oil pump, fuel pump, alternator, and muffler. Gross engine power is without fan. Flywheel power ratings are under SAE standard conditions of 500-ft. altitude and 85°F. temperature and DIN 70 020 standard conditions of 760 mm Hg barometer (sea level) and 20°C. temperature.

Engine: John Deere 4-cylinder diesel, valve-in-head, 4-stroke cycle	
Bore and stroke	4.02×4.33 in. (102×110 mm)
Piston displacement	219 cu. in. (3.589 L)
Compression ratio	16.2 to 1
Maximum torque @ 1300 rpm	160 lb-ft (217 Nm) (22.1 kg-m)
NACC or AMA (U.S. Tax) horsepower	25.65
Main bearings	5
Lubrication	Pressure system w/full flow filter
Cooling	Pressurized w/thermostat and fixed bypass
Fan	Suction
Air cleaner	Dry
Electrical system	12-volt w/alternator
Battery (12 volt) reserve capacity	110 minutes

Engine Clutch:

Collar shift transmission	Foot-operated,
single 11 in. (279 mm) plate	
Hydraulic direction reverser	Foot-operated,
single 10 in. (254 mm) plate	

Transmission:

Constant mesh, 8 forward speeds, 4-reverse with helical gears and sliding collars; mechanical shuttle. Optional hydraulic direction reverser provides 8 speeds forward and 8 reverse; hydraulic wet clutches, no clutching required.

Gear:	Travel Speeds			
	mph		km/h	
	Fwd.	Rev.	Fwd.	Rev.
1	1.3	1.6	2.1	2.6
2	1.9	2.2	3.1	3.5
3	2.9	3.3	4.7	5.3
4	4.0	4.7	6.4	7.6
5	5.3	6.3	8.5	10.1
6	7.6	9.0	12.2	14.5
7	11.2	13.5	18.0	21.7
8	15.7	18.7	25.3	30.1

Final Drives

Brakes

Steering

Hydraulic System: Closed-center

Max. pressure

Loader control

Pump

displacement, 13 gpm (0.8 L/s) at 2500 engine rpm

Hydraulic Cylinders:	Bore	Stroke
Boom	2.25 in. (57 mm)	33.28 in. (845 mm)
Bucket	2.25 in. (57 mm)	24.38 in. (624 mm)
Cylinder rods	Ground, heat-treated, chrome-plated, polished	
Boom cylinder rods	1.5 in. (38 mm) dia.	
Bucket cylinder rods	1.25 in. (32 mm) dia.	

Tires:	Front	Rear
Turf	27-9.50-15, 6-ply-rating I1 Terra-tires 27-9.50-15, 10-ply-rating, I1 Terra-tires	18.4-16A, 6-ply-rating, R3
Utility	11L-15, 8-ply-rating, F3 7.50/8.00-16, 6-ply-rating F3	14.9-24, 6-ply-rating, R4 14.9-24, 6-ply-rating, R1 16.9-24, 6-ply-rating, R3 17.5L-24, 8-ply-rating, R4

Front Axle

Wheel Treads (dependent on tires and front axle):

Front	49 to 74 in. (1.25 to 1.88 m)
Rear	48 to 76 in. (1.22 to 1.93 m)

Dimensions:

Height to top of hood	4 ft. 7 in. (1.40 m)
Overall height to top of muffler	6 ft. 7 in. (2.01 m)
Overall height to top of canopy	7 ft. 2 in. (2.18 m)
Overall width w/60-in. tread width	6 ft. 3 in. (1.90 m)
Overall length	15 ft. 11 in. (4.85 m)
Overall length w/3-point hitch	17 ft. (5.18 m)
Wheelbase	79.4 in. (2.02 m)
Ground clearance (under front axle)	1 ft. 5 in. (430 mm)
Ground clearance, min.	11 in. (279 mm)

Capacities:	U.S.	Imp.	Liters
Cooling system	3 gal.	2.5 gal.	11.4
Fuel tank	19.5 gal.	16.3 gal.	73.8
Engine lubrication, including filter	6 qt.	5.0 qt.	5.7
Transmission and hydraulic system	10 gal.	8.3 gal.	37.9

Additional Standard Equipment:

Oil pressure indicator light
Alternator charge indicator light
Water temperature gauge
Key switch safety start
Cushioned seat
Vertical muffler w/rain cap
Transistorized voltage regulator
Fenders
Antifreeze
Two-position disk rear wheels
3/4-yard loader bucket
Air-cleaner-restriction indicator
Ether starting aid
Rear PTO (continuous "live" or independent 540 rpm)
Speed-hourmeter
Horn

SAE Operating Weight

Special Equipment

Batteries (2); reserve capacity: 220 minutes
Cigaret lighter
Deluxe seat
Differential lock
Fixed front axle
Foot throttle
Front grille guard
Fuel gauge

Hydraulic direction reverser
Lights
Mid PTO (1000 rpm "live," w/rear PTO)
Muffler extension (vertical muffler)
Parking brake
Rear muffler
Remote hydraulic cylinder
ROPS and seat belt w/ or w/o canopy

Single or dual remote-cylinder control
w/quick-connect couplers
Swinging drawbar
3-inch seat belt
3-point hitch (Category 1 or 2 w/sway blocks and regular or short links)
Toolbox