



410D

BACKHOE LOADER



Model shown may include options

SAE Net Horsepower

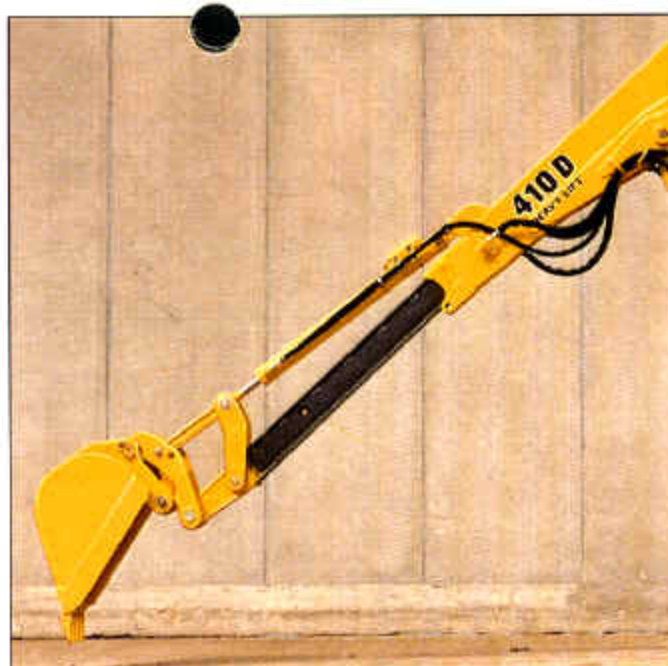
85 hp Turbo
(63.5 kW)

Digging Depth

15 ft. 3 in.
(4.66 m)
20 ft. 10 in.
(6.34 m)

Loader Lift

7,116 lb.
(3228 kg)



EXTENDABLE DIPPERSTICK

Increase your digging depth and your reach by four or five feet with the John Deere extendable dipperstick, available from the factory or as a field-installed option. Inner box features full-width wear strips and is lubricated with regular grease. Dipperstick locks with a pin. Properly-sized hydraulic attachments may be used with dipperstick extended or retracted.



MFWD

No more slipping on the job. The John Deere mechanical-front-wheel-drive system features a limited slip differential. When front wheels start slipping, 80 percent of the machine's power is automatically transferred to the wheel with the best traction. System is electronically engaged by a toggle switch on the control console.



OPERATOR'S STATION

The quietest cab in the industry with a DBA level of 76. Large entrance doors (second door optional) allow convenient entrance and exit. Doors open within machine width protecting them from damage. 4,700 sq. in. (30 322 cm²) of window area opens for excellent ventilation.



ELECTRONIC MONITORING

Audible and two-stage visible warnings alert you to potential problems. Electronic parking brake switch located on console is automatically applied when engine is shut off. Mechanical-front-wheel-drive button can be easily applied with a flip of the switch. Convenient rotary dial controls optional air conditioning.

BACKHOE BUCKETS

	Width		Capacity		Weight	
	in.	(mm)	cu. ft.	(m ³)	lb.	(kg)
Standard-duty	12	(305)	2.5	(0.07)	244	(111)
	18	(457)	5.1	(0.14)	322	(146)
	24	(610)	7.5	(0.21)	370	(168)
	30	(762)	10.0	(0.28)	410	(186)
	36	(914)	10.0	(0.28)	430	(195)
Heavy-duty	36	(914)	14.5	(0.41)	556	(252)
	12	(305)	2.5	(0.07)	258	(117)
	18	(457)	5.1	(0.14)	334	(151)
	24	(610)	7.5	(0.21)	396	(180)
	24	(610)	8.8	(0.25)	476	(216)
Extra heavy-duty	30	(762)	10.0	(0.28)	444	(201)
	36	(914)	10.0	(0.28)	470	(214)
	18	(457)	5.1	(0.14)	362	(164)
Ditch cleaning	24	(610)	7.5	(0.21)	424	(192)
	30	(762)	10.0	(0.28)	474	(215)
	36	(914)	10.0	(0.28)	370	(168)
	36	(914)	14.5	(0.41)	500	(235)

LOADER BUCKETS

Loader:	Width		Heaped Capacity		Weight	
	in.	(mm)	cu. yd.	(m ³)	lb.	(kg)
Heavy-duty long lip buckets*	86	(2184)	1.12	(0.86)	918	(417)
	92	(2340)	1.42	(1.09)	965	(438)
General purpose long lip bucket	89	(2270)	1.25	(0.96)	775	(351)
Multipurpose bucket	92	(2340)	1.25	(0.96)	1,560	(708)

*With auxiliary cutting edge and skid shoes standard.
NOTE: All buckets pre-drilled for auxiliary cutting edge.

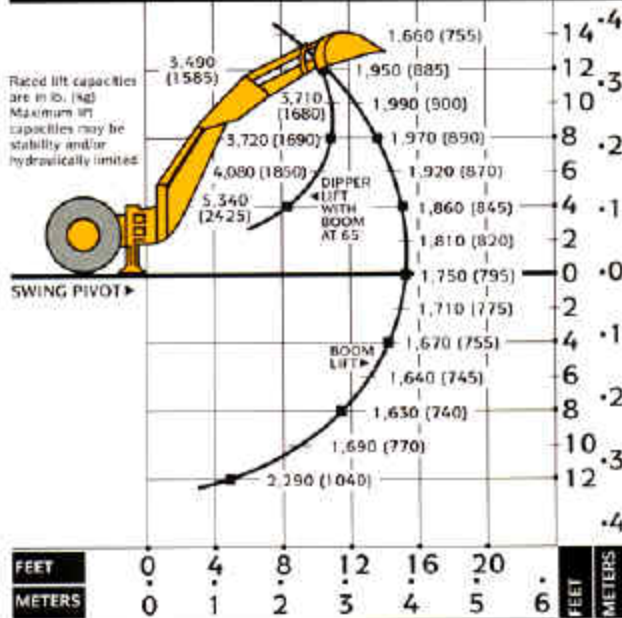
LOADER PERFORMANCE

	w/1.12 cu. yd. (0.86 m ³) Heavy-Duty Long Lip Bucket	w/1.25 cu. yd. (0.96 m ³) General Purpose Long Lip Bucket	w/1.42 cu. yd. (1.09 m ³) Heavy-Duty Long Lip Bucket	w/1.25 cu. yd. (0.96 m ³) Multi- purpose Bucket (optional) dual lever
Operator control	single lever	single lever	single lever	dual lever
Breakout force	10,000 lb. (45 kN)	9,500 lb. (42 kN)	9,900 lb. (44 kN)	9,700 lb. (43 kN)
Lifting capacity, full height	7,116 lb. (3228 kg)	6,900 lb. (3130 kg)	7,200 lb. (3265 kg)	7,000 lb. (3170 kg)
a) Height to bucket hinge pin, max.	11 ft. 1 in. (3.38 m)	11 ft. 1 in. (3.38 m)	11 ft. 1 in. (3.38 m)	11 ft. 1 in. (3.38 m)
b) Dump clearance, bucket at 45 degrees	9 ft. (2.74 m)	8 ft. 5 in. (2.58 m)	8 ft. 9 in. (2.67 m)	8 ft. 7 in. (2.63 m)
c) Bucket dump angle, max.	43 degrees	43 degrees	43 degrees	43 degrees
d) Reach at full height, bucket at 45 degrees	29.1 in. (739 mm)	34 in. (868 mm)	29.8 in. (758 mm)	31 in. (787 mm)
e) Rollback angle at ground level	40 degrees	40 degrees	40 degrees	40 degrees
f) Digging depth below ground, bucket level	4.2 in. (107 mm)	3.5 in. (88 mm)	4.2 in. (107 mm)	5 in. (125 mm)
Raising time to full height	4.5 sec.	4.5 sec.	4.5 sec.	4.5 sec.
Bucket dump time	1.0 sec.	1.0 sec.	1.0 sec.	1.0 sec.
Bucket lowering time (power down)	3.0 sec.	3.0 sec.	3.0 sec.	3.0 sec.

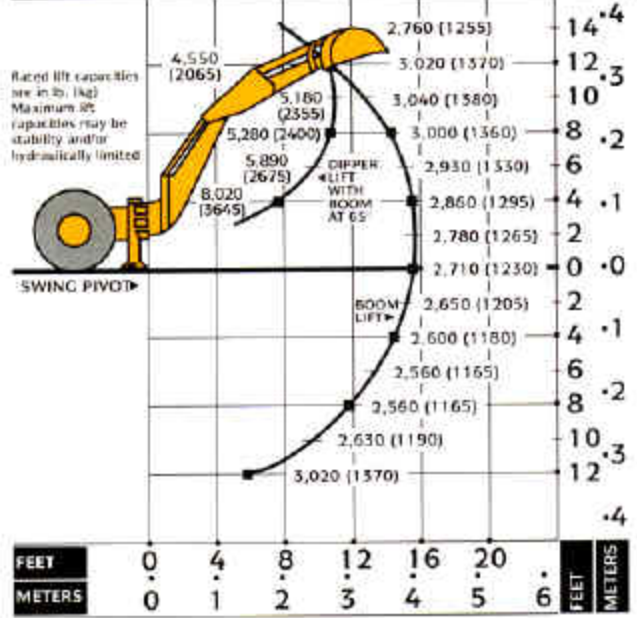
ADDITIONAL STANDARD EQUIPMENT

Engine: John Deere Model 4045T 4.5 liter - 85 SAE net hp Coolant recovery tank Dual safety element dry-type air cleaner with pre-cleaner and restriction monitor on console Enclosed safety fan guard Engine coolant -34°F (-37°C) Muffler, underhood, with vertical curved end exhaust stack Oil-to-water engine oil cooler Prewired for ether starting aid Quick release John Deere fuel filter Spin-on engine oil filter Sucker-type cooling fan Turbocharged, isolation mounted Turbocharger provides spark arresting	Independent of service brakes Spring-applied, hydraulic release with electric switch control Planetary final drives Synchronized 1st thru 4th gears. Backhoe: Backhoe transport lock lever Dirt foot stabilizer feet 15 ft. 3 in. digging depth Independent isolation-mounted stabilizer valve with two-direction anti-drift valves Less bucket with bucket pins Swing locking pin stored in operator's station Two lever backhoe controls Loader: Bucket level indicator Hydraulic self leveling Less bucket with bucket pins Loader boom service lock Return to dig feature Single lever control with electric clutch cutoff switch on gear shift and loader lever Operator's Station: Built-in beverage and Thermos® bottle holder Built-in operator's manual storage compartment with manual coat hook Electric monitor system with audible and visual warning Air cleaner restriction Engine coolant temperature Engine oil pressure Hydraulic filter indicator Low alternator voltage Park brake on-off indicator Seat belt indicator Torque converter temperature Fuel gauge	Hand throttle with fuel economy setting at 2,100 rpm Headliner Horn Conforms to SAE J994, J1446 Interior rearview mirror Conforms to SAE J985 Key start switch with electric fuel shutoff Left and right front access Modular design ROPS/FOPS canopy Isolation mounted with molded roof Conforms to SAE J1040 Molded floor mat Non-suspension vinyl seat w/flip-up armrests, fore, aft, and vertical adjustment Conforms to SAE J899 Padded foot throttle Slip-resistant steps and ergonomically-located handholds Conforms to SAE J185 Tachometer/hourmeter 2-in. (51 mm) seat belt w/retractors Adjusts independent of seat position Conforms to SAE J386 Lights: Two front and two rear turn signal/flashings Two front driving/working and two rear working halogen 35,200 candlepower each Two rear reflectors Conforms to SAE J99 Two rear stop and tail Overall Vehicle: Dent resistant rear fenders Engine side shields with "tip up" access	Exterior toolbox located in right step and lockable with start switch key One-piece unitized construction mainframe One rear and two front built-in tie downs Remote grease bank for front axle Reverse warning alarm Switchable to 97 DBA or 111 DBA Conforms to SAE J994, J1446 750-lb. (340 kg) front counterweight 34-gal. (129 L) fuel tank Built-in water strainer Ground level fueling Sump with drain Wide-mouth filler cap with padlock 11L-16, 12 PR, F3 front tires 19.5L-24, 10 PR, R4 rear tires 86 in. (2.2 m) overall width Vandal protection locking with start switch key for: Engine access doors Instrument panel Electrical: Blade-type multi-fused circuits Bypass start safety cover on starter 95 amp alternator Positive terminal battery covers Prewired for rotating beacon Prewired for two additional front halogen worklights Single battery with 160 min. reserve capacity and 625 CCA 12 volt system Hydraulics: Circuit relief valve protection Independent hydraulic reservoir "O" ring face seal connectors 10 micron spin-on replaceable element 35 gpm engine-mounted piston pump - closed center
--	---	--	--

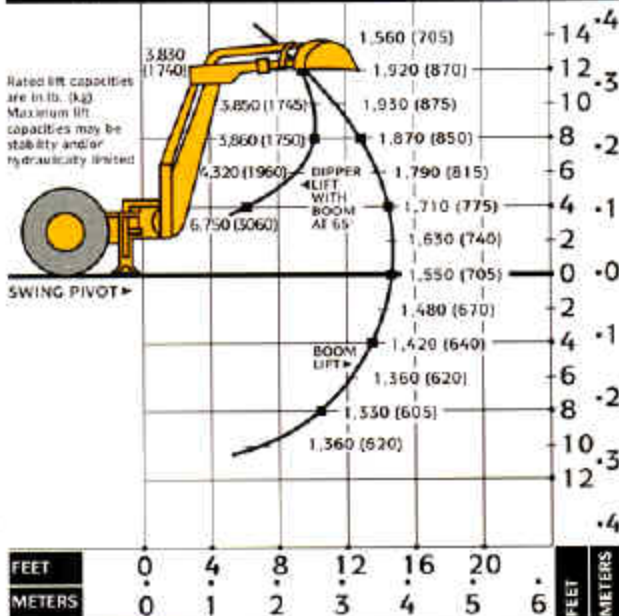
LIFT CAPACITY Backhoe with standard dipperstick. Based on SAE J31.



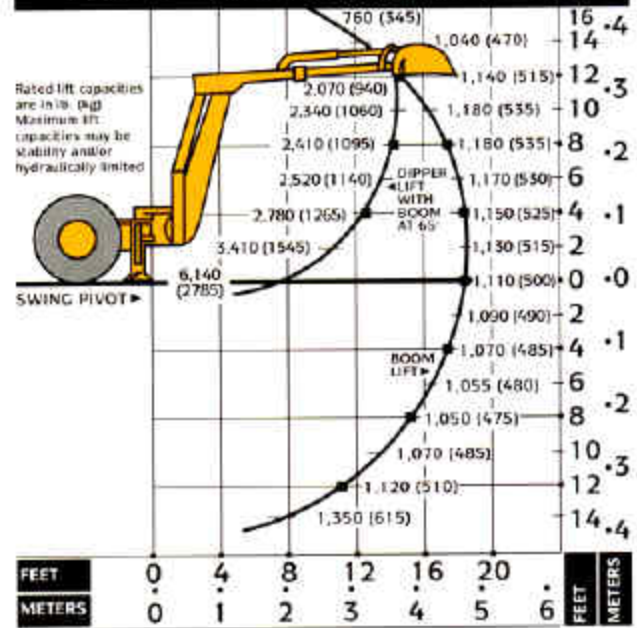
LIFT CAPACITY Backhoe with Optional Heavy Lift Package. Based on SAE J31.



LIFT CAPACITY Backhoe with 4 ft. (1.22 m) dipperstick, retracted. Based on SAE J31.

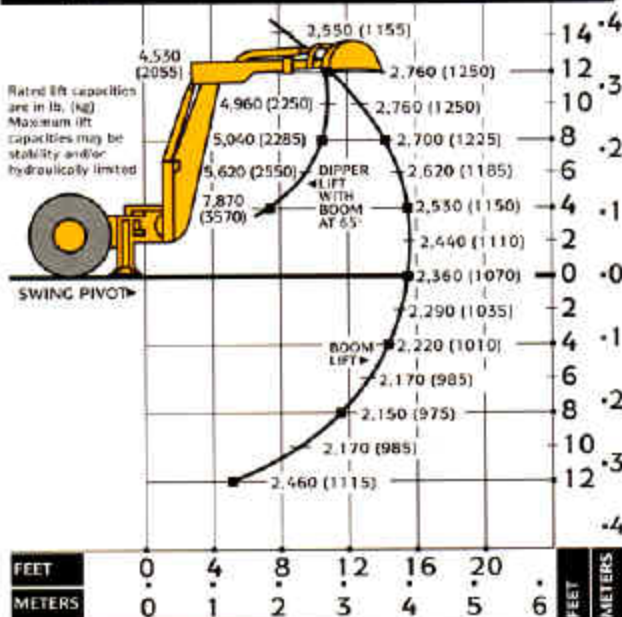


LIFT CAPACITY Backhoe with 4 ft. (1.22 m) dipperstick, extended. Based on SAE J31.

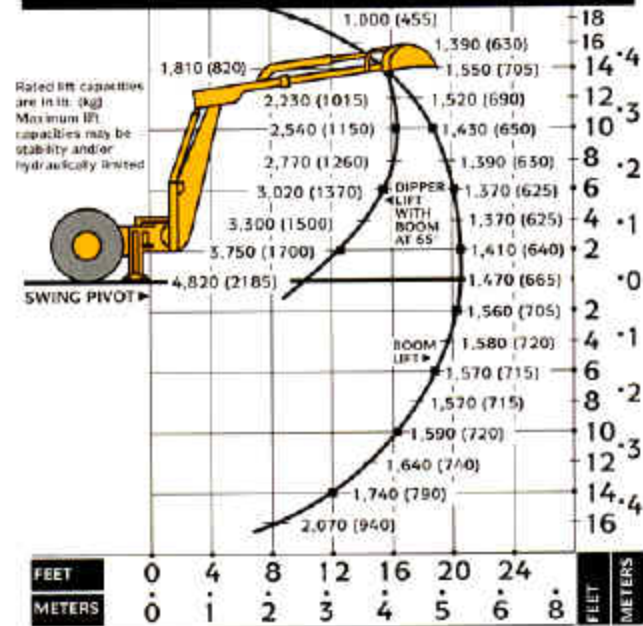


Heavy Lift Option

LIFT CAPACITY Backhoe with 5 ft. (1.52 m) dipperstick, retracted. Based on SAE J31.

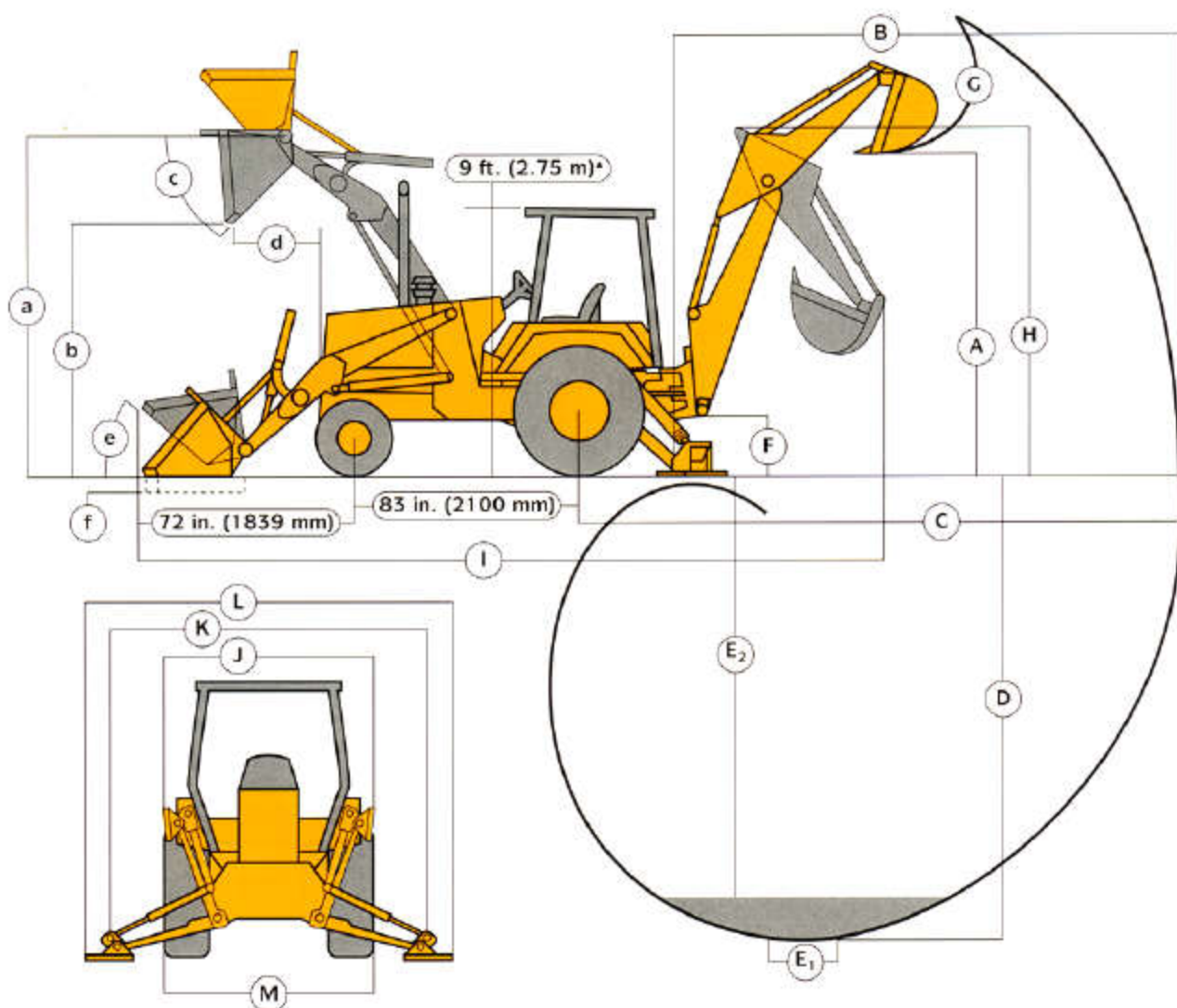


LIFT CAPACITY Backhoe with 5 ft. (1.52 m) dipperstick, extended. Based on SAE J31.



DIMENSIONS

(a-f) See Loader Performance



▲ ROPS and cab

Key:	Backhoe with Standard Dipperstick*	Backhoe with Heavy Lift Package**	Standard Backhoe 4 ft. (1.22 m) Extendable Dipperstick*		Heavy Lift Package 5 ft. (1.52 m) Extendable Dipperstick**	
			Retracted	Extended	Retracted	Extended
A. Loading height, truck loading position	12 ft. 3 in. (3.72 m)	12 ft. 2 in. (3.70 m)	11 ft. 9 in. (3.59 m)	12 ft. 9 in. (3.89 m)	12 ft. 1 in. (3.69 m)	15 ft. (4.58 m)
B. Reach from center of swing mast	18 ft. 4 in. (5.59 m)	19 ft. 3 in. (5.87 m)	17 ft. 8 in. (5.40 m)	21 ft. 4 in. (6.50 m)	19 ft. 3 in. (5.87 m)	23 ft. 11 in. (7.29 m)
C. Reach from center of rear axle	22 ft. 1 in. (6.73 m)	23 ft. (7.01 m)	21 ft. 5 in. (6.53 m)	25 ft. 1 in. (7.64 m)	23 ft. (7.01 m)	27 ft. 8 in. (8.43 m)
D. Maximum digging depth	15 ft. 3 in. (4.66 m)	15 ft. 10 in. (4.84 m)	14 ft. 7 in. (4.45 m)	18 ft. 4 in. (5.60 m)	15 ft. 11 in. (4.86 m)	20 ft. 10 in. (6.34 m)
E. Digging depth (SAE):						
1) 2-ft. (610 mm) flat bottom	15 ft. 2 in. (4.61 m)	15 ft. 9 in. (4.80 m)	14 ft. 5 in. (4.40 m)	18 ft. 3 in. (5.57 m)	15 ft. 10 in. (4.82 m)	20 ft. 8 in. (6.30 m)
2) 8-ft. (2440 mm) flat bottom	14 ft. 1 in. (4.30 m)	14 ft. 9 in. (4.49 m)	13 ft. 4 in. (4.07 m)	17 ft. 5 in. (5.32 m)	14 ft. 10 in. (4.51 m)	20 ft. (6.09 m)
F. Ground clearance, minimum	12 in. (305 mm)	13 in. (330 mm)	12 in. (305 mm)	12 in. (305 mm)	13 in. (330 mm)	13 in. (330 mm)
G. Bucket rotation	160 or 180 degrees	160 or 180 degrees	160 or 180 degrees	160 or 180 degrees	160 or 180 degrees	160 or 180 degrees
H. Transport height	11 ft. 10 in. (3.61 m)	12 ft. 4 in. (4.51 m)	12 ft. 4 in. (3.78 m)	12 ft. 4 in. (3.78 m)	13 ft. 5 in. (4.90 m)	13 ft. 5 in. (4.90 m)
I. Overall length, transport	23 ft. 5 in. (7.14 m)	22 ft. 11 in. (6.99 m)	25 ft. (7.01 m)	25 ft. (7.01 m)	23 ft. (7.01 m)	23 ft. (7.01 m)
J. Stabilizer width - transport	7 ft. 8 in. (2.34 m)	7 ft. 8 in. (2.34 m)	7 ft. 8 in. (2.34 m)	7 ft. 8 in. (2.34 m)	7 ft. 8 in. (2.34 m)	7 ft. 8 in. (2.34 m)
K. Stabilizer spread - operating	9 ft. 10 in. (3.00 m)	9 ft. 10 in. (3.00 m)	9 ft. 10 in. (3.00 m)	9 ft. 10 in. (3.00 m)	9 ft. 10 in. (3.00 m)	9 ft. 10 in. (3.00 m)
L. Stabilizer overall width - operating	11 ft. 4 in. (3.45 m)	11 ft. 4 in. (3.45 m)	11 ft. 4 in. (3.45 m)	11 ft. 4 in. (3.45 m)	11 ft. 4 in. (3.45 m)	11 ft. 4 in. (3.45 m)
M. Width over tires	86 in. (2.62 m)	86 in. (2.62 m)	86 in. (2.62 m)	86 in. (2.62 m)	86 in. (2.62 m)	86 in. (2.62 m)

BACKHOE PERFORMANCE

Digging force, bucket cylinder (power dig position)	11,700 lb. (52 kN)	11,120 lb. (49.5 kN)	11,700 lb. (52 kN)	11,700 lb. (52 kN)	11,000 lb. (48.9 kN)	11,000 lb. (48.9 kN)
Digging force, crowd cylinder	6,450 lb. (29 kN)	8,100 lb. (36 kN)	7,000 lb. (31 kN)	4,770 lb. (21 kN)	8,100 lb. (36 kN)	5,430 lb. (24 kN)
Swing arc	180 degrees	180 degrees	180 degrees	180 degrees	180 degrees	180 degrees
Operator control	Two levers	Two levers	Right foot treadle	Right foot treadle	Right foot treadle	Right foot treadle
Bucket positions	9 or 18 degrees rollback	8 or 17 degrees rollback	8 or 17 degrees rollback	12 or 22 degrees rollback	8 or 18 degrees rollback	12 or 21 degrees rollback
Stabilizer angle rearward	14.5 degrees	14.5 degrees	14.5 degrees	14.5 degrees	14.5 degrees	14.5 degrees
Lifting capacity, maximum	4,802 lb. (2183 kg)	6,746 lb. (3066 kg)	4,995 lb. (2270 kg)	3,040 lb. (1382 kg)	6,441 lb. (1781 kg)	3,288 lb. (1495 kg)
Leveling angle	13 degrees	13 degrees	13 degrees	13 degrees	13 degrees	13 degrees

*Backhoe specifications are with 24 in. x 7.5 cu. ft. (610 mm x 0.21 m³) bucket.

**Backhoe specifications are with 24 in. x 8.8 cu. ft. (610 mm x 0.25 m³) bucket.

ENGINE

John Deere engineered and manufactured. Replaceable wet type cylinder liners provide superior heat dissipation, longer life. High-strength alloy head has replaceable valve seat inserts. The forged steel, 5-main-bearing crankshaft is statically and dynamically balanced for smooth operation. Cast aluminum pistons provide good heat transfer and pistons are sprayed with cooling oil for longer life.

Engine: John Deere 4045T Turbocharged

Rated power at 2,200 rpm	85 SAE net hp (63.5 kW)
	90 SAE gross hp (67 kW)
Cylinders	4
Displacement	276 cu. in. (4,524 L)
Fuel consumption, typical	1.0 to 2.0 gal./hr. (3.8 to 7.6 L/h)
Torque rise	25 percent
Maximum net torque	254 lb.-ft. (344 Nm)
Lubrication	Pressure system w/full-flow spin-on filter and cooler
Air cleaner	Dual stage dry type with safety element and precleaner
Electrical system	12 volt with 95-amp alternator
Sucker-type cooling fan	

TRANSMISSION

John Deere designed and built 4-speed helical gear, synchronized in all four gears, collar shift transmission with hydraulic reverser. Uses single stage, dual phase, 11-inch (280 mm) torque converter with 2.23:1 stall ratio.

TRAVEL SPEEDS

Gear	Forward		Reverse		
	mph	(km/h)	mph	(km/h)	
With 19.5L-24 rear tires	1	3.4	5.5	3.9	6.3
	2	5.9	9.5	6.8	10.9
	3	12.6	20.3	14.5	23.3
	4	19.7	32.7	22.6	36.4

FINAL DRIVES

Heavy-duty, inboard mounted planetary type. Evenly distribute axle shock loads over three gears that run in a cooling oil bath.

BRAKES

Hydraulic wet disk service brakes are mounted inboard and are pressure cooled and lubricated. They're self-adjusting and self-equalizing. Individual pedals can be applied together or separately. **Parking/emergency brake** is an independent system that is spring-applied, hydraulically released, and controlled by an electric switch on the control console. Automatically neutralizes reverser when parking brake is applied. A mechanical V-groove band applies pressure on differential ring gear. All brakes conform to SAE J1473.

CAPACITIES

	U.S.
Fuel tank (with ground level fueling)	34 gal. (129 L)
Engine coolant	17.5 qt. (16.5 L)
Engine oil including filter	9 qt. (8.5 L)
Torque converter and reverser system	14 qt. (13 L)
Hydraulic system	21 gal. (79 L)
Transaxle with MFWD	5.5 gal. (21 L)

STEERING

Hydrostatic power steering gives superior control at all speeds. Excellent steering torque allows easy maneuvering with heavy loads. Power steering conforms to SAE J1151 and emergency steering SAE J53.

Non-powered axle	
Curb turning radius with brakes	11 ft. 8 in. (3.55 m)
without brakes	13 ft. 3 in. (4.04 m)
Bucket clearance circle with brakes	31 ft. 8 in. (9.64 m)
without brakes	34 ft. 9 in. (10.60 m)
Steering wheel turns, stop to stop	2.2 to 2.9
Mechanical-front-wheel drive	
Curb turning radius with brakes	11 ft. 5 in. (3.49 m)
without brakes	13 ft. 6 in. (4.11 m)
Bucket clearance circle with brakes	29 ft. 7 in. (9.02 m)
without brakes	33 ft. 8 in. (10.26 m)
Steering wheel turns, stop to stop	2.5
Axle oscillations stop to stop, both axes	22 degrees

Axle ratings:	Static	Dynamic	SAEJ43
Front	56,000 lb. (25,300 kg)	56,000 lb. (25,300 kg)	19,600 lb. (8,800 kg)
Rear	51,000 lb. (23,100 kg)	68,000 lb. (30,800 kg)	15,960 lb. (7,200 kg)

HYDRAULICS

System	closed center
Pressure, main relief	2,755 psi (19,000 kPa)
Pump	radial pistons
Flow at 2200 rpm	35 gpm (133 L/min.)
Filter, return oil	10 micron, spin-on replaceable element

CYLINDERS

	Bore	Stroke	Rod
	in. (mm)	in. (mm)	in. (mm)
Loader boom (2)	3.54 90	29.84 758	1.77 45
Loader bucket (1)	3.54 90	28.19 718	1.77 45
Backhoe boom (1)	4.53 115	38.54 979	2.48 63
Backhoe crowd (1)	3.94 100	32.24 819	2.20 56
Backhoe bucket (1)	3.54 90	31.00 788	1.97 50
Backhoe swing (2)	3.94 100	9.49 241	1.97 50
Backhoe extendable			
dipper (1)	2.50 64	48.00 1220	1.25 32
Backhoe stabilizer (2)	3.94 100	19.96 507	1.97 50
Steering (1) non-			
powered axle	1.97 50	9.49 241	0.98 25
Steering (1) MFWD	2.36 60	7.90 202	0.98 25
Heavy lift option			
Backhoe boom	5.00 127	42.72 1085	2.50 64
Dipperstick	4.53 115	34.57 878	2.48 63

TIRES

Rear	Front
19.5L-24, 10 PR, R4	11L-16, 12 PR, F3
With mechanical-front-wheel drive	
21L-24, 10 PR, R4	12.00-16.5, 8 PR, lug tread
18.4-28, 12 PR, R4	14-17.5, 10 PR
19.5-24, 10 PR, R4	12.00-16.5, 8PR

OPERATING WEIGHTS

SAE	
410D	15,600 lb. (7075 kg)
cab adds	500 lb. (227 kg)
mechanical-front-wheel drive adds	190 lb. (86 kg)
4 ft. (1.22 m) extendable dipperstick	
with required counterweight adds	1,063 lb. (482 kg)
optional front counterweights add	1,050 lb. (476 kg)
backhoe bucket coupler adds	200 lb. (91 kg)
Heavy lift option	16,250 lb. (7371 kg)
5 ft. (1.52 m) extendable dipperstick	
with required counterweight adds	1,182 lb. (536 kg)
See backhoe and loader performance data for bucket weights	

Specifications and design subject to change without notice. Wherever applicable, specifications are in accordance with SAE standards. Except where otherwise noted, these specifications are based on a unit with 19.5L-24, 10 PR, R4 tires, 11L-16, 12 PR, F3 front tires, 1.12 cu. yd. (0.86 m³) loader bucket, 24 in. x 7.5 cu. ft. (610 mm x 0.21 m³) backhoe bucket, and 24 in. x 8.8 cu. ft. (619 mm x 0.25 m³) heavy-duty bucket.



QUICK COUPLER

Change buckets quickly, effortlessly with a John Deere quick coupler. The coupler provides power-dig and truck-loading capabilities and is available as an option from the factory. Accommodates all John Deere "C" and "D" series buckets. Case 580D, E-, K-, and Super K-series buckets will retro-fit with the optional Case pin-and-washer kit supplied by your John Deere dealer.



BACKHOE BUCKETS

John Deere backhoe buckets are available from the factory in several different sizes and models. All buckets feature heavy one-inch (25.4 mm) cutting edges, one-size-fits-all bucket tooth adapters, material-resistant Fanggs® bucket teeth and a durable ear mounting design.



HEAVY LIFT PACKAGE

The optional heavy lift package increases boom and craning lift with virtually no sacrifice in performance. Backhoe lifting capacity increases to 5,970 lb. (2710 kg), and loading height increases to 12 ft. 2 in. (3.76 m).



STABILIZER LOCKOUTS

The two-direction stabilizer anti-drift valves are an industry exclusive. This important safety feature prevents stabilizers from drifting while in either backhoe operating position or during transport.

OPTIONAL SPECIAL EQUIPMENT

Engine:

Electric ether starting aid
Engine coolant heater
1,000 watts

Power Train:

Mechanical-front-wheel drive
Drive shaft guard
Electric on/off control
Heavy-walled drive shaft
Limited slip differential
Sealed axle

Backhoe:

Alternate stabilizer feet
Auxiliary backhoe hydraulics
for breaker, compactor
Backhoe bucket coupler for:
"C" and "D" series John
Deere buckets
Case buckets
Backhoe controls
Case pattern with three-lever
foot swing
Ford pattern with four levers
SAE excavator two lever
pattern*
Extendable dipperstick
Five-foot extension

Four-foot extension
Full-width wear strips
Extra function backhoe valve
with pedal or lever
Heavy-duty and extra heavy-
duty backhoe buckets
Built-in lift loop
SAE controlled lowering device*
Stabilizer cylinder guards*

Loader:

Alternate buckets
Long-lip configuration
Multipurpose
Auxiliary loader hydraulics
Bolt-on auxiliary cutting edge
Loader boom service lock*

Operator's Station:

Cab (includes as standard
equipment):
Cab pressurizer
.25-in. Hg pressurization
Deluxe headliner
Deluxe "eyeball" dome light
Door preplumbed for wind-
shield wiper
Door that opens within
vehicle width

Fresh air intake heater/
defroster/pressurizer
40,000 Btu/hr (11.7 kW)
heater

Conforms to SAE J1503,
J1535D

Fresh air precleaner
One rear and two front wipers
Prewired for ether starting aid
Prewired for radio
Prewired for rotating beacon
Tinted safety glass

Cab (includes as optional
equipment):

Air conditioning
27,000 Btu/hr (7.9 kW)
capacity
CFC free R134a
Conforms to SAE J1503
Deluxe fabric suspension seat
Front quarter cab*
Front doors only
Radio - AM/FM weather band
3-in. (76 mm) retractable
seat belt
Tilt steering

Two additional front lights
Windshield washers

Overall Vehicle:

Auxiliary toolbox - internal
Chrome exhaust extension
Dual batteries - 360 reserve
1250 CCA
Fire extinguisher
Front counterweights
1,450 lb. (657 kg)
Front fenders*
Front grille guard*
Front grille screen*
High ambient temperature
engine cooling kit*
High-flotation tires
Outside rearview mirrors
Rear fender extensions
Rear wheel spacers for use
with chains
Rental decal kit
Rotating beacon
SMV emblem
Special color paint*
* See your John Deere dealer
for further information

THE JDAvantEDGE

JDAvantEdge is a wealth of support programs, parts systems, and dealer resources, all designed to give you the edge. This package of special benefits is a major reason why John Deere offers the "best value" for your equipment dollar.

Best parts support - Twelve regional parts depots in North America and others around the world put parts support near your job no matter where in the world it is.

A computerized FLASH™ parts locating system linking these depots to dealerships can find out-of-stock parts in a hurry and get them into your hands fast. Usually within 24 hours.

Best service backup - Dealer service technicians are regularly schooled, at our modern facility in Davenport, Iowa, or by professionals in the field, to diagnose quickly and repair efficiently.

If they're stumped, a phone call to DTAC (Dealer Technical Assistance Center) puts them in touch with a staff of pros at the factory who help them find a solution quickly.

Best dealers - Your John Deere dealer is an important contributor to the JDAvantEdge. He or she is committed to being the best equipment supplier you can work with.

This is a dollars-and-cents commitment in parts inventory, in service facilities, in field-service trucks. It's a sweat-and-blood commitment in dedicated, skilled, and highly trained and motivated personnel in each and every department at the dealership.

But what sets John Deere dealers apart from all the rest is something more, a factor somewhat difficult to measure ... a caring attitude, and a sincere desire to be the best at meeting the needs of each individual customer.

John Deere Finance Plans - Whether you rent, lease, or buy John Deere equipment, your dealer can explain the John Deere options available. One-stop options that let you free up operating capital, keep other lines of credit open. More solid benefits of the JDAvantEdge.

Best protection - In addition to the new equipment warranty that meets or exceeds the competition, SECURE® extended coverage, an optional service product for John Deere equipment, is available for repair coverage after the warranty concludes. Full machine or power train coverage is available for a variety of time periods to meet your needs. Consult your dealer for availability and details.



Net engine power is with standard equipment including air cleaner, exhaust system, alternator, and cooling fan, at standard conditions per SAE J1549 and DIN 70.020, using No. 2-D fuel at 35 APL gravity. No derating is required up to 5000 feet (1500 m) altitude. With optional altitude compensating turbo-charger 10,000 feet (3050 m). Gross power is without cooling fan.

Specifications and design subject to change without notice. Wherever applicable, specifications are in accordance with SAE standards. Except where otherwise noted, these specifications are based on a unit with 19.5L-24, 10 PR, R4 tires, 11L-16, 12 PR, F3 front tires, 1.12 cu. yd. (0.86 m³) loader bucket, 24 in. x 7.5 cu. ft. (610 mm x 0.21 m³) backhoe bucket, and 24 in. x 8.8 cu. ft. (610 mm x 0.25 m³) heavy-duty bucket.

