



410D

BACKHOE LOADER



Model shown may include options

**SAE Net
Horsepower**

75 hp N.A.
(56 kW)
85 hp Turbo
(63.5 kW)

**Digging
Depth**

15 ft. 3 in.
(4.66 m)

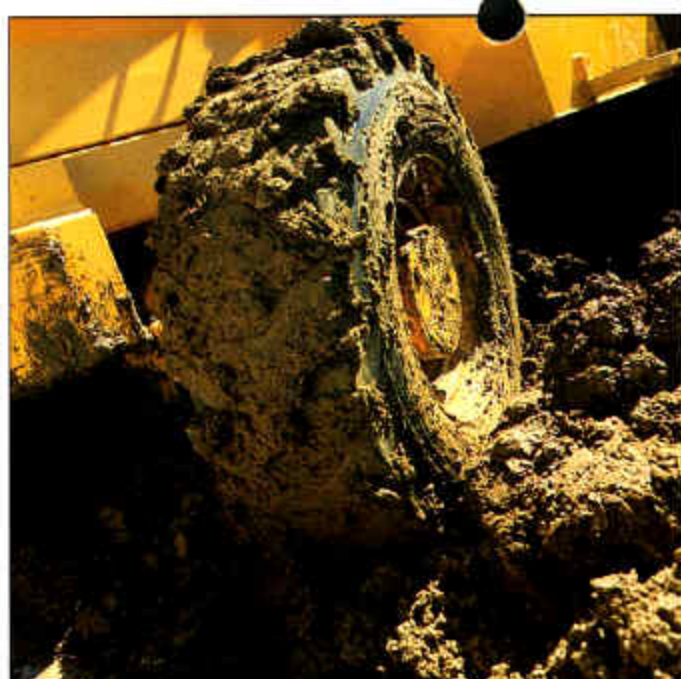
**Loader
Lift**

7,116 lb.
(3,228 kg)



EXTENDABLE DIPPERSTICK

Increase your digging depth and your reach by four or five feet with the John Deere extendable dipperstick, available from the factory or as a field-installed option. Inner box features lifetime wear strips and should be lubricated with regular grease. Dipperstick also contains a lock pin. Properly-sized hydraulic attachments may be used with dipperstick extended or retracted.



MFWD

No more slipping on the job. The John Deere mechanical-front-wheel-drive system features a limited slip differential. When your front wheels start slipping, 80 percent of the machine's power is automatically transferred to the wheel with the most amount of traction. System is electronically engaged by a toggle switch located on the control console.



OPERATOR'S STATION

The quietest cab in the industry with a DBA level of less than 80. Large entrance doors on both sides allow convenient entrance and exit. Doors open within machine width so they aren't susceptible to damage. 4700 sq. in. (30 322 cm²) of window area opens for excellent ventilation.



ELECTRONIC MONITORING

Audible and two-stage visible warnings alert you to potential problems. Electronic parking brake located on console is automatically applied when engine is shut off. Mechanical-Front-Wheel-Drive button can be easily applied with a flip of the switch. Convenient rotary dial controls air-conditioning temperature when equipped with the optional factory air conditioning.

BACKHOE BUCKETS

	Width		Capacity		Weight	
	in.	(mm)	cu. ft.	(m ³)	lb.	(kg)
Standard-duty	12	(305)	2.5	[0.07]	244	(111)
	18	(457)	5.1	[0.14]	322	(146)
	24	(610)	7.5	[0.21]	370	(168)
	30	(762)	10.0	[0.28]	410	(186)
	36	(914)	10.0	[0.28]	430	(195)
	36	(914)	14.5	[0.41]	556	(252)
Heavy-duty	12	(305)	2.5	[0.07]	258	(117)
	18	(457)	5.1	[0.14]	334	(151)
	24	(610)	7.5	[0.21]	396	(180)
	24	(610)	8.8	[0.25]	476	(216)
	30	(762)	10.0	[0.28]	444	(201)
	36	(914)	10.0	[0.28]	470	(214)
Extra heavy-duty	18	(457)	5.1	[0.14]	362	(164)
	24	(610)	7.5	[0.21]	424	(192)
	30	(762)	10.0	[0.28]	474	(215)
Ditch cleaning	36	(914)	10.0	[0.28]	370	(168)
	36	(914)	14.5	[0.41]	500	(235)

LOADER BUCKETS

Loader:	Width		Heaped Capacity		Weight	
	in.	(mm)	cu. yd.	(m ³)	lb.	(kg)
Heavy-duty long lip bucket	92	(2340)	1.0	[0.76]	740	(335)
	92	(2340)	1.3	[1.0]	800	(363)
General purpose long lip bucket	89	(2270)	1.25	[0.96]	775	(351)
Multipurpose bucket	92	(2340)	1.25	[0.96]	1560	(708)

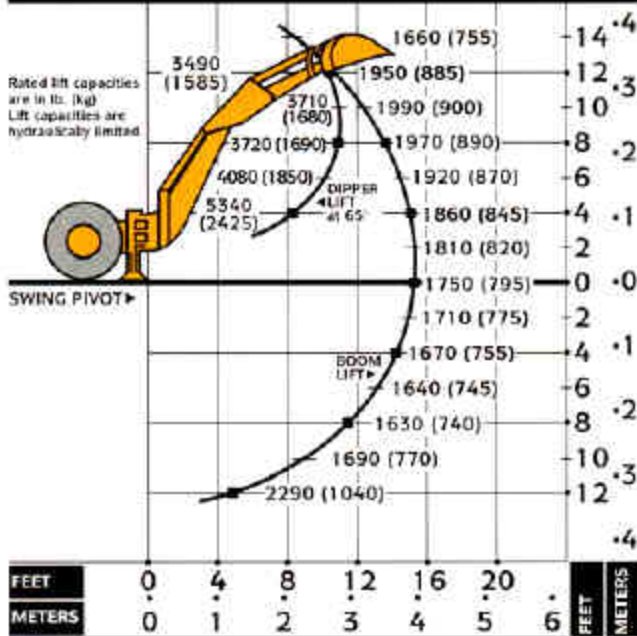
LOADER PERFORMANCE

	w/1.0 cu. yd. (0.76 m ³) Heavy-Duty Long Lip Bucket	w/1.25 cu. yd. (0.95 m ³) General Purpose Long Lip Bucket	w/1.3 cu. yd. (1.0 m ³) Heavy-Duty Long Lip Bucket	w/1.25 cu. yd. (0.96 m ³) Multi- purpose Bucket (optional)
Operator control	single lever	single lever	single lever	single lever
Breakout force	10,000 lb. (45 kN)	9500 lb. (42 kN)	9900 lb. (44 kN)	9700 lb. (43 kN)
Lifting capacity, full height	7116 lb. (3228 kg)	6900 lb. (3130 kg)	7200 lb. (3265 kg)	7000 lb. (3170 kg)
a) Height to bucket hinge pin, max.	11 ft. 1 in. (3.38 m)	11 ft. 1 in. (3.38 m)	11 ft. 1 in. (3.38 m)	11 ft. 1 in. (3.38 m)
b) Dump clearance, bucket at 45 degrees	9 ft. (2.74 m)	8 ft. 5 in. (2.58 m)	8 ft. 9 in. (2.67 m)	8 ft. 7 in. (2.63 m)
c) Bucket dump angle, max.	43 degrees	43 degrees	43 degrees	43 degrees
d) Reach at full height, bucket at 45 degrees	29.1 in. (739 mm)	34 in. (868 mm)	29.8 in. (758 mm)	31 in. (787 mm)
e) Rollback angle at ground level	40 degrees	40 degrees	40 degrees	40 degrees
f) Digging depth below ground, bucket level	4.2 in. (107 mm)	3.5 in. (88 mm)	4.2 in. (107 mm)	5 in. (125 mm)
Raising time to full height	4.5 sec.	4.5 sec.	4.5 sec.	4.5 sec.
Bucket dump time	1.0 sec.	1.0 sec.	1.0 sec.	1.0 sec.
Bucket lowering time (power down)	3.0 sec.	3.0 sec.	3.0 sec.	3.0 sec.

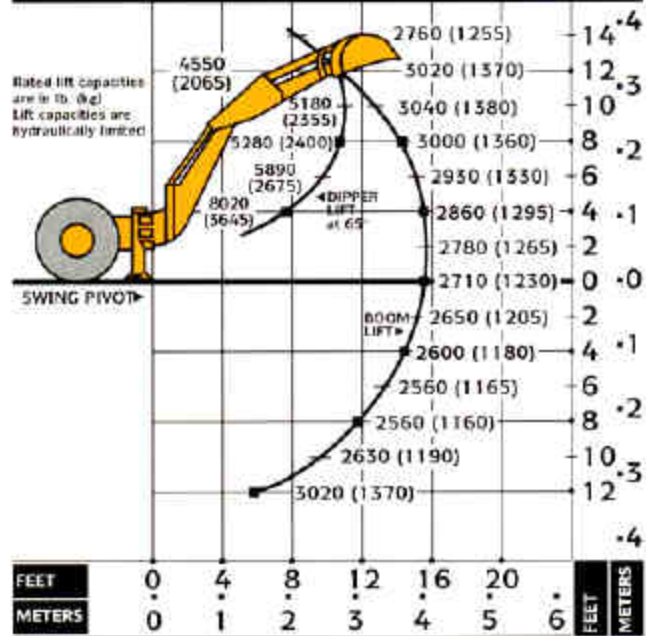
ADDITIONAL STANDARD EQUIPMENT

Engine: Enclosed safety fan guard Conforms to SAE J1308 Engine coolant to -34°F (-37°C) Oil-to-water engine oil cooler Under hood muffler with vertical curved end exhaust stack	Return to dig Single lever control with electric clutch cutoff	Lights, halogen driving/working 35,200 candlepower (375 737 lux) each Two front, two rear Stop and tail (two rear) Flashing and turn signals, two front, two rear Conforms to SAE J99 Modular design ROPS/FOPS canopy Conforms to SAE J1040 Molded floor mat Non-suspension seat Flip-up armrests Conforms to SAE J899 Park brake indicator Rear reflectors Slip-resistant safety steps and ergonomically-located handrails Conforms to SAE J185 2-in. (51 mm) seat belt with retractors Conforms to SAE J386 Tachometer/hourmeter	Engine side shields with conven- ient "tip-up" service access Remote grease bank for front axle Front counterweight 750 lb. (340 kg) Vandal protection, locking provision for: Engine access doors Fuel tank cap Instrument panel Reverse alarm Conforms to SAE J994, J1446 Toolbox
Power Train: Cooler: oil-to-air for reverser/ torque converter system, transaxle and brakes Electric shuttle control Electric clutch cutoff Differential lock with padded pedal	Operator's Station: Built-in Operator's Manual stor- age compartment and manual Built-in beverage and Thermos bottle holder Coat hook Electronic monitor system with audible and visual warning: Air cleaner restriction Alternator Coolant temperature Engine oil pressure Hydraulic filter indicator Torque converter temperature		Electrical: Blade-type multi-fused circuits Bypass start safety cover at starter Positive terminal battery covers Single battery, 180-min. reserve capacity
Backhoe: Dirt foot stabilizer pad Independent side console mounted stabilizer control Patented high penetration, high wear resistant bucket tooth Remote backhoe transport lock Two-lever backhoe control	Fuel gauge Hand throttle and padded foot throttle Headliner Horn Interior-mounted rearview mirror Conforms to SAE J985 Key start switch with electric fuel shutoff	Overall Vehicle: Built-in tie downs Dent-resistant rear fenders	Hydraulics: Independent isolation-mounted stabilizer valve Two direction stabilizer anti- drift valves "O" ring face seal connectors
Loader: Bucket level indicator Built-in lift hooks on bucket Hydraulic self-leveling			

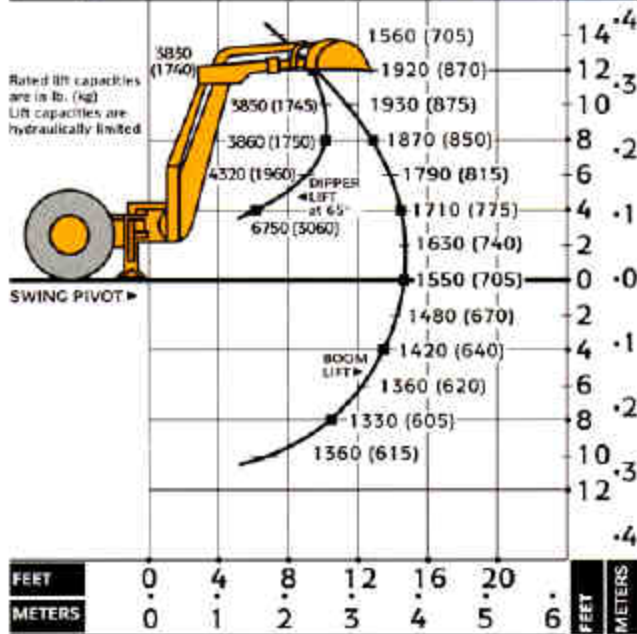
LIFT CAPACITY Backhoe with standard dipperstick. Based on SAE J31.



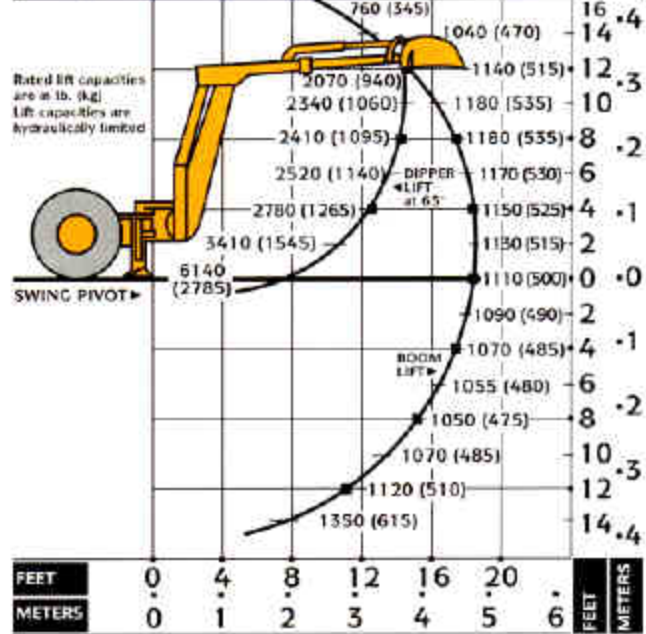
LIFT CAPACITY Backhoe with Optional Heavy Lift Package. Based on SAE J31.



LIFT CAPACITY Backhoe with 4 ft. (1.22 m) dipperstick, retracted. Based on SAE J31.

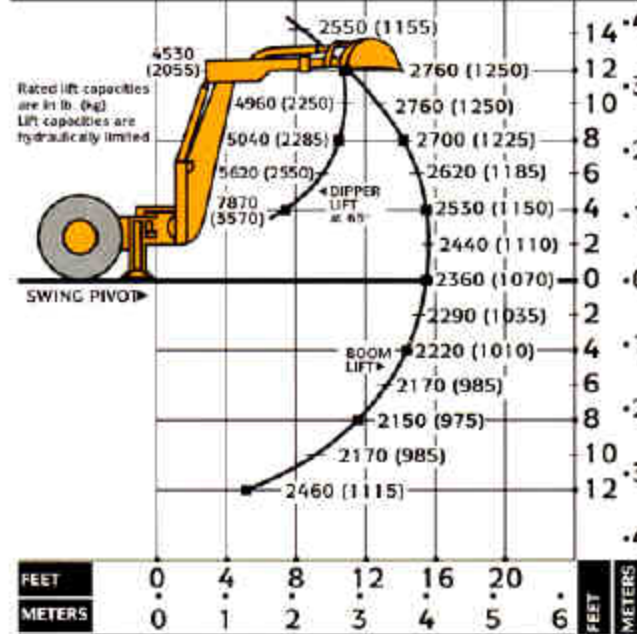


LIFT CAPACITY Backhoe with 4 ft. (1.22 m) dipperstick, extended. Based on SAE J31.

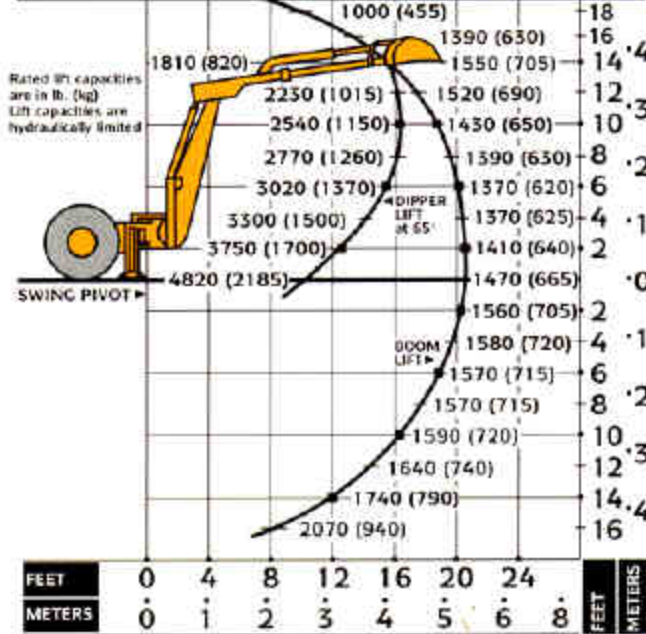


Heavy Lift Option

LIFT CAPACITY Backhoe with 5 ft. (1.52 m) dipperstick, retracted. Based on SAE J31.

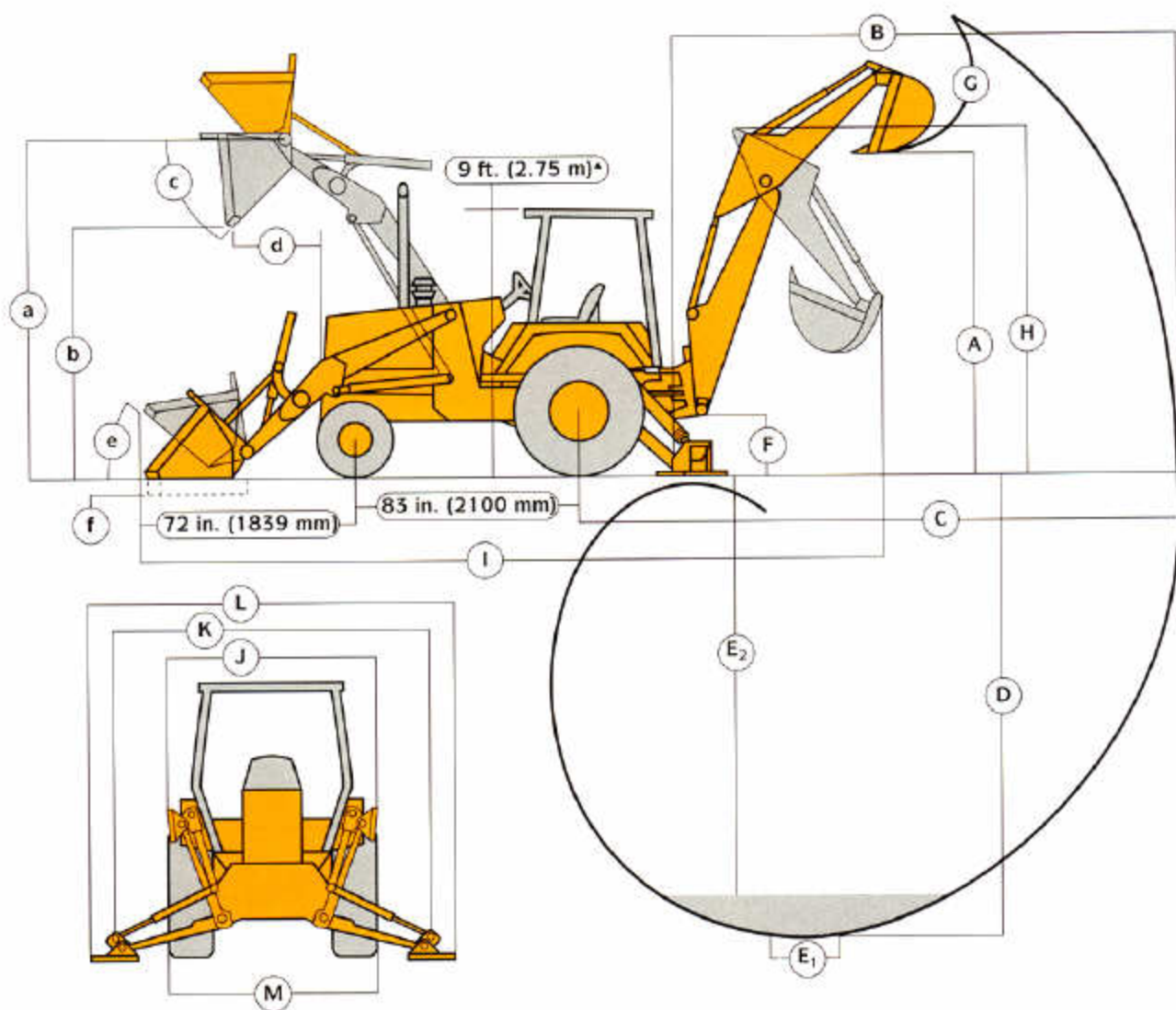


LIFT CAPACITY Backhoe with 5 ft. (1.52 m) dipperstick, extended. Based on SAE J31.



DIMENSIONS

[a-f] See Loader Performance



▲ ROPS and cab

Key:	Backhoe with Standard Dipperstick*	Backhoe with Heavy Lift Package**	Standard Backhoe 4 ft. (1.22 m) Extendable Dipperstick*		Heavy Lift Package 5 ft. (1.52 m) Extendable Dipperstick**	
			Retracted	Extended	Retracted	Extended
A. Loading height, truck loading position	12 ft. 3 in. (3.72 m)	12 ft. 2 in. (3.70 m)	11 ft. 9 in. (3.59 m)	12 ft. 9 in. (3.89 m)	12 ft. 1 in. (3.69 m)	15 ft. (4.58 m)
B. Reach from center of swing mast	18 ft. 4 in. (5.59 m)	19 ft. 3 in. (5.87 m)	17 ft. 8 in. (5.40 m)	21 ft. 4 in. (6.50 m)	19 ft. 3 in. (5.87 m)	23 ft. 11 in. (7.29 m)
C. Reach from center of rear axle	22 ft. 1 in. (6.73 m)	23 ft. (7.01 m)	21 ft. 5 in. (6.53 m)	25 ft. 1 in. (7.64 m)	23 ft. (7.01 m)	27 ft. 8 in. (8.43 m)
D. Maximum digging depth	15 ft. 3 in. (4.66 m)	15 ft. 10 in. (4.84 m)	14 ft. 7 in. (4.45 m)	18 ft. 4 in. (5.60 m)	15 ft. 11 in. (4.86 m)	20 ft. 10 in. (6.34 m)
E. Digging depth (SAE):						
(1) 2-ft. (610 mm) flat bottom	15 ft. 2 in. (4.61 m)	15 ft. 9 in. (4.80 m)	14 ft. 5 in. (4.40 m)	18 ft. 3 in. (5.57 m)	15 ft. 10 in. (4.82 m)	20 ft. 8 in. (6.30 m)
(2) 8-ft. (2440 mm) flat bottom	14 ft. 1 in. (4.30 m)	14 ft. 9 in. (4.49 m)	13 ft. 4 in. (4.07 m)	17 ft. 5 in. (5.32 m)	14 ft. 10 in. (4.51 m)	20 ft. (6.09 m)
F. Ground clearance, minimum	12 in. (305 mm)	13 in. (330 mm)	12 in. (305 mm)	12 in. (305 mm)	13 in. (330 mm)	13 in. (330 mm)
G. Bucket rotation	160 or 180 degrees	160 or 180 degrees	160 or 180 degrees	160 or 180 degrees	160 or 180 degrees	160 or 180 degrees
H. Transport height	11 ft. 5 in. (3.48 m)	12 ft. 1 in. (3.68 m)	11 ft. 8 in. (3.56 m)	11 ft. 8 in. (3.56 m)	12 ft. 8 in. (3.86 m)	12 ft. 8 in. (3.86 m)
I. Overall length, transport	23 ft. 5 in. (7.14 m)	22 ft. 11 in. (6.99 m)	23 ft. (7.01 m)	23 ft. (7.01 m)	23 ft. (7.01 m)	23 ft. (7.01 m)
J. Stabilizer width - transport	7 ft. 8 in. (2.34 m)	7 ft. 8 in. (2.34 m)	7 ft. 8 in. (2.34 m)	7 ft. 8 in. (2.34 m)	7 ft. 8 in. (2.34 m)	7 ft. 8 in. (2.34 m)
K. Stabilizer spread - operating	9 ft. 10 in. (3.00 m)	9 ft. 10 in. (3.00 m)	9 ft. 10 in. (3.00 m)	9 ft. 10 in. (3.00 m)	9 ft. 10 in. (3.00 m)	9 ft. 10 in. (3.00 m)
L. Stabilizer overall width - operating	11 ft. 4 in. (3.45 m)	11 ft. 4 in. (3.45 m)	11 ft. 4 in. (3.45 m)	11 ft. 4 in. (3.45 m)	11 ft. 4 in. (3.45 m)	11 ft. 4 in. (3.45 m)
M. Width over tires	85 in. (2.15 m)	85 in. (2.15 m)	85 in. (2.15 m)	85 in. (2.15 m)	85 in. (2.15 m)	85 in. (2.15 m)

BACKHOE PERFORMANCE

Digging force, bucket cylinder (power dig position)	11,700 lb. (52 kN)	11,120 lb. (49 kN)	11,700 lb. (52 kN)	11,700 lb. (52 kN)	11,000 lb. (58.9 kN)	11,000 lb. (58.9 kN)
Digging force, crowd cylinder	6450 lb. (29 kN)	8100 lb. (36 kN)	7000 lb. (31 kN)	4770 lb. (21 kN)	8100 lb. (36 kN)	5430 lb. (24 kN)
Swing arc	180 degrees	180 degrees	180 degrees	180 degrees	180 degrees	180 degrees
Operator control	Two levers	Two levers	Right foot treadle	Right foot treadle	Right foot treadle	Right foot treadle
Bucket positions	9 or 18 degrees rollback	8 or 17 degrees rollback	8 or 17 degrees rollback	12 or 22 degrees rollback	8 or 18 degrees rollback	12 or 21 degrees rollback
Stabilizer angle rearward	14.5 degrees	14.5 degrees	14.5 degrees	14.5 degrees	14.5 degrees	14.5 degrees
Lifting capacity, maximum, arm at 10 ft. (3.05 m), boom at 65 deg.	4250 lb. (1950 kg)	5970 lb. (2710 kg)	4420 lb. (2005 kg)	2690 lb. (1220 kg)	5700 lb. (2585 kg)	2910 lb. (1320 kg)
Leveling angle	13 degrees	13 degrees	13 degrees	13 degrees	13 degrees	13 degrees

*Backhoe specifications are with 24 in. x 7.5 cu. ft. (610 mm x 0.21 m³) bucket.

**Backhoe specifications are with 24 in. x 8.8 cu. ft. (610 mm x 0.25 m³) bucket.

ENGINE

John Deere engineered and manufactured. Replaceable wet type cylinder liners provide superior heat dissipation, longer life. High strength alloy heads have replaceable valve seat inserts. The forged steel, 5-main-bearing crankshaft is statically and dynamically balanced for smooth operation. Cast aluminum pistons provide good heat transfer and pistons are sprayed with cooling oil for longer life.

Engine: John Deere 4045D

Rated power @ 2200 rpm	75 SAE net hp (56 kW)
	80 SAE gross hp (60 kW)
with optional turbocharger	85 SAE net hp (63.5 kW)
	90 SAE gross hp (67 kW)
Cylinders	4
Displacement	276 cu. in. (4.524 L)
Fuel consumption, typical	1.0 to 2.0 gal./hr. (3.8 to 7.6 L/h)
Torque rise	25 percent
with optional turbocharger	25 percent
Maximum net torque	224 lb.-ft. (303 Nm)
with optional turbocharger	254 lb.-ft. (344 Nm)
Lubrication	Pressure system w/full flow filter and cooler
Air cleaner	Dual stage dry type with safety element and precleaner
Electrical system	12 volt with 95-amp alternator

TRANSMISSION

John Deere designed and built 4-speed helical gear, synchronized in all four gears, collar shift transmission with hydraulic reverser. Uses single stage, dual phase, 11-inch (280 mm) torque converter with 2.23:1 stall ratio.

TRAVEL SPEEDS

Gear	Forward		Reverse	
	mph	(km/h)	mph	(km/h)
With 19.5L-24 rear tires				
1	3.4	5.5	3.9	6.3
2	5.9	9.5	6.8	10.9
3	12.6	20.3	14.5	23.3
4	19.7	32.7	22.6	36.4

FINAL DRIVES

Heavy-duty, inboard mounted planetary type. Evenly distributes axle shock loads over three gears that run in a cooling oil bath.

BRAKES

Hydraulic wet disk service brakes are mounted inboard and are pressure cooled and lubricated. They're self-adjusting, self-equalizing, require no periodic service. Individual pedals allow them to be applied together or separately.

Parking/emergency brake is an independent system that is spring applied, hydraulically released and controlled by an electric switch on the control console. A mechanical V-groove band applies pressure on differential ring gear. All brakes conform to SAE J1473.

CAPACITIES

	U.S.
Fuel tank	34 gal. (129 L)
Engine coolant	17 qt. (16 L)
Engine oil including filter	9 qt. (8.5 L)
Torque converter and reverser system	14 qt. (13 L)
Hydraulic system	21 gal. (79 L)
Transaxle with MFWD	6 gal. (23 L)

STEERING

Hydrostatic power steering gives superior control at all speeds. Excellent steering torque allows easy maneuvering with heavy loads. Power steering conforms to SAE J1151 and emergency steering SAE J53.

Non-powered axle	
Curb turning radius with brakes	11 ft. 8 in. (3.55 m)
without brakes	13 ft. 3 in. (4.04 m)
Bucket clearance circle with brakes	31 ft. 8 in. (9.64 m)
without brakes	34 ft. 9 in. (10.60 m)
Steering wheel turns, stop to stop	2.2 to 2.9
Mechanical-front-wheel drive	
Curb turning radius with brakes	11 ft. 5 in. (3.49 m)
without brakes	13 ft. 6 in. (4.11 m)
Bucket clearance circle with brakes	29 ft. 7 in. (9.02 m)
without brakes	33 ft. 8 in. (10.26 m)
Steering wheel turns, stop to stop	2.5
Axle oscillations stop to stop, both axles	22 degrees

Axle ratings:	Static	Dynamic	SAE J43
Front	56,000 lb. (25,300 kg)	56,000 lb. (25,300 kg)	19,600 lb. (8800 kg)
Rear	51,000 lb. (23,100 kg)	68,000 lb. (30,800 kg)	15,960 lb. (7200 kg)

HYDRAULICS

System	closed center
Pressure, main relief	2755 psi (19,000 kPa)
Pump	radial pistons
Flow at 2200 rpm	35 gpm (133 L/min.)
Filter, return oil	10 micron, spin-on replaceable element

CYLINDERS

	Bore		Stroke		Rod	
	in. (mm)	in. (mm)	in. (mm)	in. (mm)	in. (mm)	in. (mm)
Loader boom (2)	3.54	90	29.84	758	1.77	45
Loader bucket (1)	3.54	90	28.19	718	1.77	45
Backhoe boom (1)	4.53	115	38.54	979	2.48	63
Backhoe crowd (1)	3.94	100	32.24	819	2.20	56
Backhoe bucket (1)	3.54	90	31.00	788	1.97	50
Backhoe swing (2)	3.94	100	9.49	241	1.97	50
Backhoe extendable						
dipper (1)	2.50	64	48.00	1220	1.25	32
Backhoe stabilizer (2)	3.94	100	19.96	507	1.97	50
Steering (1) regular axle	1.97	50	9.49	241	0.98	25
Steering (1) MFWD	2.36	60	7.90	202	0.98	25
Heavy lift option						
Backhoe boom	5.00	127	42.72	1085	2.50	64
Dipperstick	4.53	115	34.57	878	2.48	63

TIRES

Rear	Front
19.5L-24, 10 PR, R4	11L-16, 12 PR, F3
With mechanical-front-wheel drive	
21L-24, 10 PR, R4	12.00-16.5, 8 PR, lug tread
18.4-28, 12 PR, R4	14-17.5, 8 PR
19.5-24, 10 PR, R4	11L-16, 12 PR

OPERATING WEIGHTS

SAE	
410D	15,600 lb. (7075 kg)
cab adds	500 lb. (227 kg)
mechanical-front-wheel drive adds	275 lb. (125 kg)
4 ft. (1.22 m) extendable dipperstick	
with required counterweight adds	1063 lb. (482 kg)
optional front counterweight adds	250 lb. (113 kg)
backhoe bucket coupler adds	200 lb. (91 kg)
Heavy lift option	16,250 lb. (7371 kg)
5 ft. (1.52 m) extendable dipperstick	
with required counterweight adds	1182 lb. (536 kg)

See backhoe and loader performance data for bucket weights



QUICK COUPLER

Change buckets quickly, effortlessly with a John Deere quick coupler. The coupler provides power-dig and truck-loading capabilities and is available as an option from the factory. Pick up all John Deere "C" and "D" series buckets. Case 580D, E-, and K-series buckets will retro-fit with the optional Case pin-and-washer kit supplied by your John Deere dealer.



BACKHOE BUCKETS

John Deere backhoe buckets are available from the factory in several different sizes and models. All buckets feature: heavy one-inch (25.4 mm) cutting edges, one-size-fits-all bucket tooth adapters, material-resistant Fanggs® bucket teeth and a durable ear mounting design.



HEAVY LIFT PACKAGE

The optional heavy lift package increases boom and craning lift with virtually no sacrifice in performance. Backhoe lifting capacity increases to 5970 lb. (2710 kg), and loading height increases to 12 ft. 2 in. (3.76 m).



STABILIZER LOCKOUTS

The two-direction stabilizer anti-drift valves are an industry exclusive. This important safety feature prevents stabilizers from drifting while in both the backhoe operating position and during transport.

OPTIONAL C SPECIAL EQUIPMENT

Engine:

John Deere Model 4045T
4.5 liter 85 hp (63.5 kW)
turbocharged engine
Engine coolant heater
1000 watts
Remote-mounted ether start-
ing aid

Power Train:

Mechanical-front-wheel drive
Drive shaft guard
Electric on/off control
Limited slip differential
Wet clutch engagement

Backhoe:

Alternate stabilizer pads
Auxiliary function backhoe
hydraulics
Backhoe bucket coupler
"C" and "D" series John
Deere buckets
Case buckets
Backhoe controls

Case pattern with three-lever
foot swing
Ford pattern with four levers
SAE excavator pattern*
Extendable dipperstick
Four-foot extension
Lifetime wearstrips
Extra function backhoe valve
and controller
Heavy-duty and extra heavy-
duty backhoe buckets
Built-in lift eyes
Stabilizer cylinder guards*

Loader:

Alternate buckets
Long-lip configuration
Multipurpose
Auxiliary function loader
hydraulics
Bolt-on auxiliary cutting edge
Third function loader hydraulics
Loader boom service lock*

Operator's Station:

Cab
Cab pressurizer
.25-in. Hg pressurization
Deluxe headliner
Deluxe "eyeball" dome light
Door that opens within
vehicle width
Fresh air intake heater/
defroster/pressurizer
40,000 Btu/hr (11.7 kW)
heater
Conforms to SAE J1503,
J1535D
Fresh air precleaner
Front and rear wipers
Windshield washers
Air conditioning
27,000 Btu/hr (7.9 kW)
capacity
Conforms to SAE J1503
Deluxe suspension seat

Front quarter cab
Front doors only
Radio
3-in. (76 mm) retractable seat
belt

Overall Vehicle:

Dual batteries
Fan blast dust shields
Fire extinguisher
Rigid supported front bumper
Front counterweight
250 lb. (113 kg)
High-flotation tires
Front grille guard*
Front grille screens*
Rotating beacon
SMV emblem
Special color paint*
Auxiliary toolbox
Chrome exhaust extension
Fender extensions
*See your John Deere dealer
for further information

THE JDAvantEDGE

JDAvantEdge is a wealth of support programs, parts systems and dealer resources, all designed to give you the edge. This package of special benefits is a major reason why John Deere offers the "best value" for your equipment dollar.

Best parts support – Twelve regional parts depots in North America and others around the world put parts support near your job no matter where in the world it is.

A computerized FLASH™ parts locating system linking these depots to dealerships can find out-of-stock parts in a hurry and get them into your hands fast. Usually within 24 hours.

Best service backup – Dealer service technicians are regularly schooled, at our modern facility in Davenport, Iowa, or by professionals in the field, to diagnose quickly and repair efficiently.

If they're stumped, a phone call to DTAC (Dealer Technical Assistance Center) puts them in touch with a staff of pros at the factory who help them find a solution quickly.

Best dealers – Your John Deere dealer is an important contributor to the JDAvantEdge. He or she is committed to being the best equipment supplier you can work with.

This is a dollars-and-cents commitment in parts inventory, in service facilities, in field service trucks. It's a sweat-and-blood commitment in dedicated, skilled and highly trained and motivated personnel in each and every department at the dealership.

But what sets John Deere dealers apart from all the rest is something more, a factor somewhat difficult to measure ... a caring attitude, and a sincere desire to be the best at meeting the needs of each individual customer.

John Deere Finance Plans – Whether you rent, lease or buy John Deere equipment, your dealer can explain the John Deere options available. One-stop options that let you free up operating capital, keep other lines of credit open. More solid benefits of the JDAvantEdge.

Best protection – In addition to the new equipment warranty that meets or exceeds the competition, SECURE® extended coverage, an optional service product for John Deere equipment, is available for repair coverage after the warranty concludes. Full machine or power train coverage is available for a variety of time periods to meet your needs. Consult your dealer for availability and details.

MILLER
SINCE 1894
Ted B. Miller Co. Inc.
226618 Hwy. 62 East
P.O. Box 460
Gering, Nebr. 69341
Phone #308-436-2177
Fax #308-436-7645

Net engine power is with standard equipment including air cleaner, exhaust system, alternator, and cooling fan, at standard conditions per SAE J1349 and DIN 70 020, using No. 2-D fuel at 55 API gravity. No derating is required up to 5000 feet (1500 m) altitude. With optional altitude compensating turbocharger 10,000 feet (3050 m). Gross power is without cooling fan.

Specifications and design subject to change without notice. Wherever applicable, specifications are in accordance with SAE standards. Except where otherwise noted, these specifications are based on a unit with 19.5L-24, 10 PR R4 tires, 11L-16, 12 PR F3 front tires, 1.0 cu. yd. (0.76 m³) loader bucket, 24 in. x 7.5 cu. ft. (610 mm x 0.21 m³) backhoe bucket, and 24 in. x 8.8 cu. ft. (610 mm x 0.25 m³) heavy lift bucket.

