



1010 CRAWLER LOADER

FEATURES

- 3/4-yard heavy-duty bucket with 8 nodular-iron teeth
- 1-1/4-yard light-materials bucket
- Single-lever loader control
- Float position for backfilling
- Outstanding maneuverability
- Hydraulic direction reverser (optional)
- 40-degree bucket roll-back at ground level
- 8,500 pounds breakout force
- Fast, positive-acting hydraulic valve
- Dual filtration in hydraulic system (micronic and wire mesh)

SPECIFICATIONS

(Specifications and design are subject to change without notice. Wherever applicable, specifications are in accordance with I.E.M.C. Standards.)

Crawler..... John Deere "1010" (gasoline or Diesel) with 40 engine h.p.

Bucket options:

- 3/4 cu. yd. SAE heaped; 66 in. cutting width; 8 teeth
- 1-1/4 cu. yd. SAE heaped; 78 in. cutting width

Operating information:

- Breakout capacity..... 8,500 lb.
- Roll-back at ground level..... 40 degrees
- ▲ Carrying capacity (max. roll-back, pivot pin 3 feet above ground)..... 7,900 lb.
- Digging depth below ground level (with bucket level)..... 8 in.
- Lift at full height..... 4,000 lb.
- ▲ Dumping clearance..... 98 in.
- ▲ Reach at full height dump..... 27-1/2 in.
- Dumping angle:
 - At maximum lift..... 50 degrees below horizontal
 - At ground level..... 70 degrees below horizontal
- Raising time..... 6.0 sec.
- Lowering time..... 4.5 sec.
- Dumping time..... 1.5 sec.
- Turning radius (carry height, bucket rolled back)..... Approx. 126 in.

Hydraulic system:

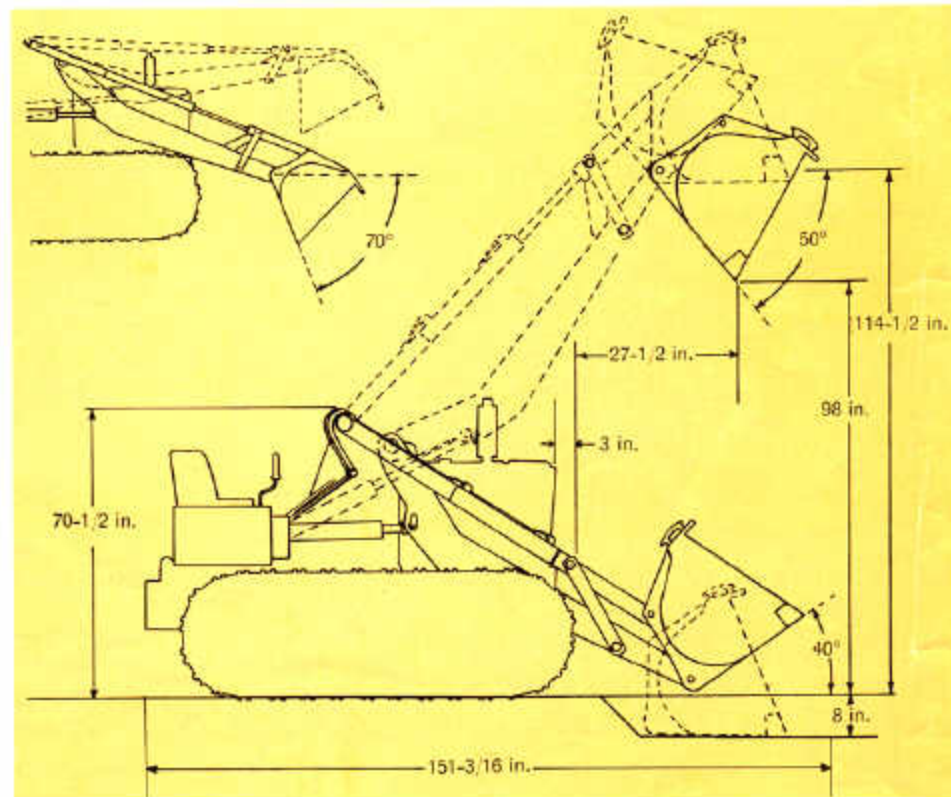
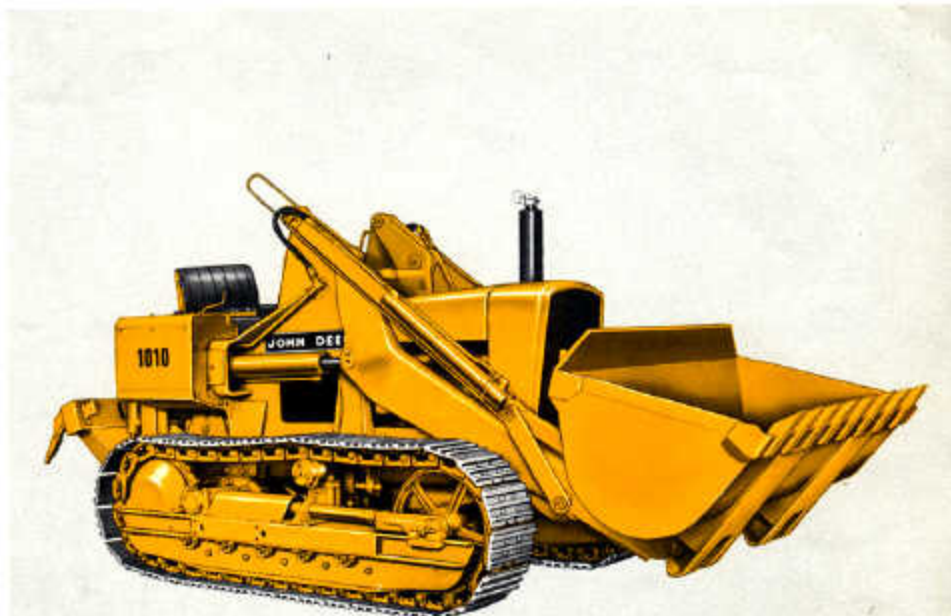
- Control..... 3 spool valve (2 for loader—1 for ripper or pulpwood loader); single lever loader control
- Pump..... Gear-type, 24 gpm @ 2,500 rpm (2,000 psi)
- ▲ Oil reservoir..... 7 gal. capacity to "full" mark
- Oil lines..... Seamless steel tubing; double wire braid hose
- Boom cylinders..... 4 in. dia. bore, 24 in. stroke
- Bucket cylinders..... 3 in. dia. bore, 24-3/16 in. stroke
- Piston rods..... Ground, polished, chrome-plated
- For boom cylinders..... 2 in. dia.
- For bucket cylinders..... 1-1/2 in. dia.

Construction:

- Frame..... Steel plate
- Lift arms..... Steel box
- Heavy-duty bucket: 1/4 in. steel, with welded-on, 7/8-in. cutting edge of high-carbon, heat-treated steel, 8 heat-treated nodular-iron teeth
- Light-materials bucket: 3/16 in. steel, with welded-on, 7/8 in. cutting edge of high-carbon, heat-treated steel

▲ Shipping Weight (without counterweights or ripper):

- Crawler loader:
 - Gasoline..... Approx. 9,716 lb.
 - Diesel..... Approx. 9,818 lb.

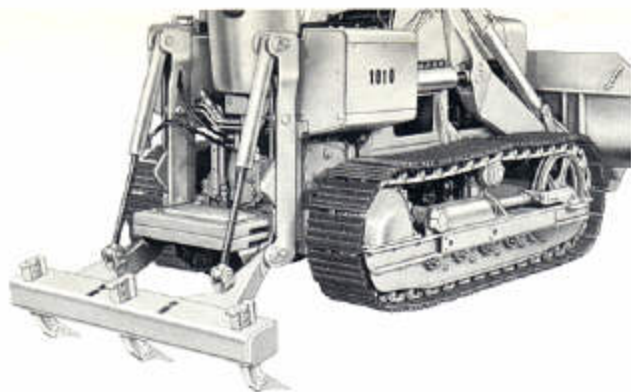


Special Equipment

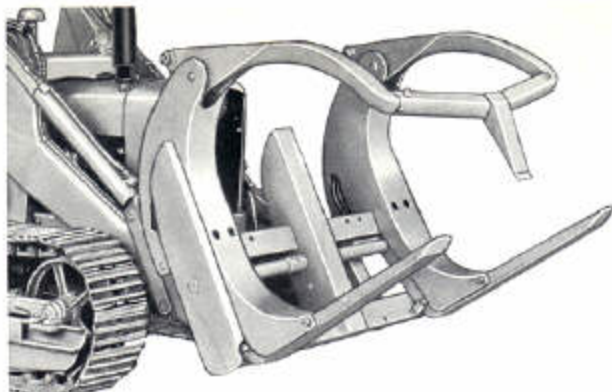
- 2-piece steel bucket teeth (for heavy-duty bucket only)
- Counterweights (for crawler loader without ripper). Recommended: counterweight assembly with 5 weights.

▲ INDICATES CHANGE FROM PREVIOUS PRINTING

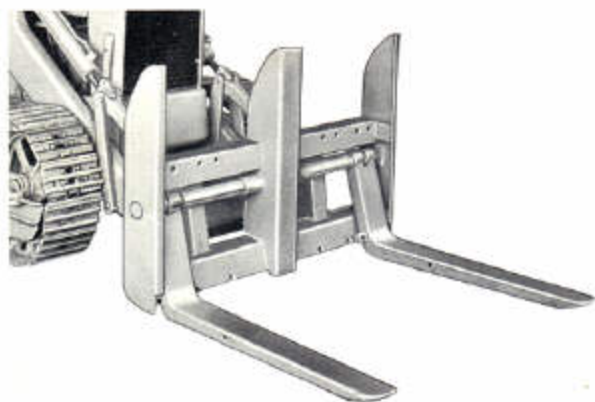
ATTACHMENTS



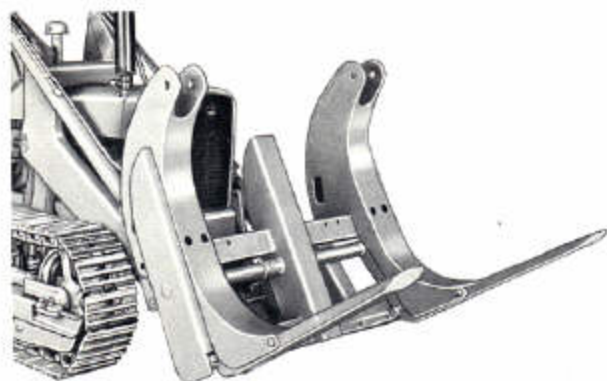
36 Hydraulic Ripper: Working width: 55 in.; Penetration: 10 in. max. Positive down pressure. Shanks: Uses 1 to 5 (3 are standard equipment), adjustable for depth. Replaceable tips. Three counterweights.



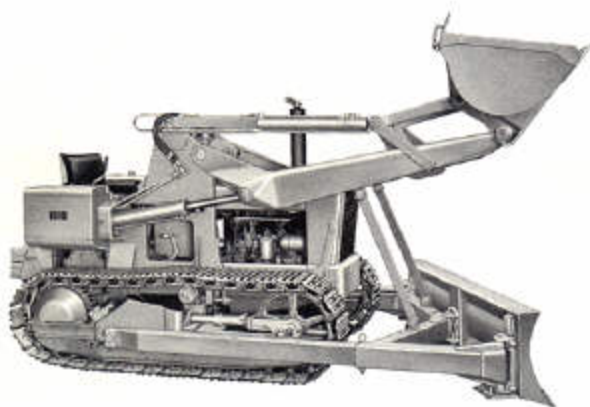
850-C Pulwood Loader: Choice of widths: 48 in. or 29 in. center to center of forks. Fork length: 41-3/4 in. Upper grapple arms: dual cylinder operation. Continuous radius box-section masts. Lifts: 6,000 lbs. at ground; 3,200 lbs. at 10 ft.



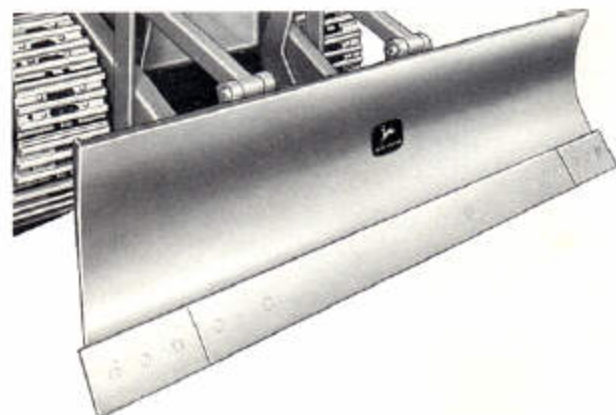
850-A Basic Forklift: Width: adjusts 18-3/4 to 48 in. center to center of forks. Fork length: 41-3/4 in. Pivot shaft: 2-9/16 in. dia. steel rod. Lift: 6,000 lb. at ground; 3,200 lb. at 10 ft.



850-B Timber Loader: Width settings: 48 or 29 in. center to center of forks. Forks: 41-3/4 in. long; box construction; heat-treated cast-steel tips. Continuous radius masts.



▲ 807 Bulldozer: For use in conjunction with loader. Can be removed or remounted in minutes. Box-section boom and blade. Reversible 3-piece cutting edge, 90 in. wide. Lift: 42-1/2 in. Cut: 17 in. max. Angling: 25 degrees right or left. Tilt: 8 in. right or left.



805 Bulldozer Blade: Box-welded, 23-inch-high mold-board. Reversible 3-piece cutting edge, 72 in. wide. Penetration: 10 in. max. Tilt: manual, 14 in. right, 7 in. left. Hydraulic pitch adjustment. Depth-gauge shoes are available.

1010 Crawler Tractor SPECIFICATIONS

(Specifications and design subject to change without notice)

▲ Horsepower (at 2,500 engine rpm):

Observed net engine flywheel..... 40

Drawbar pull (observed)..... Approx. 6,500 lb.

Engine options: 4-cycle, 4-cylinder Diesel; 4-cycle, 4-cylinder gasoline

Hydraulically controlled direction reverser with wet clutch
(forward and reverse speeds from .8 to 6.5 mph)

Two-lever clutch-brake steering

▲ INDICATES CHANGE FROM PREVIOUS PRINTING